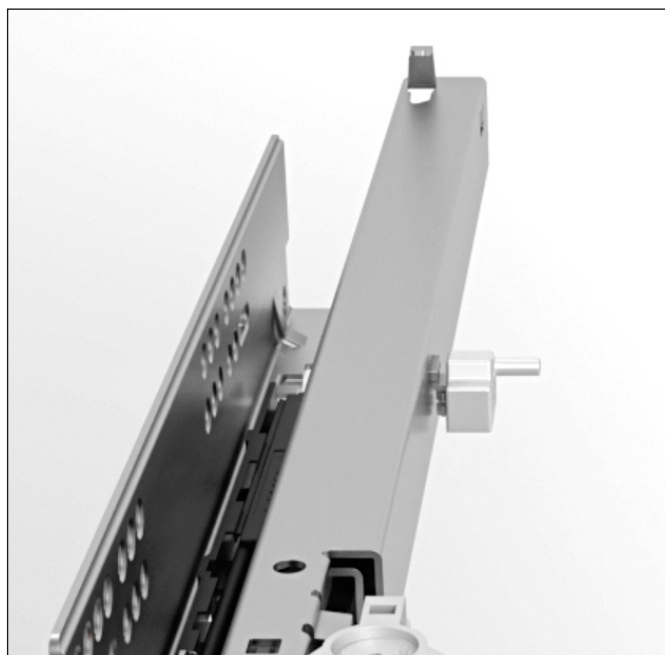
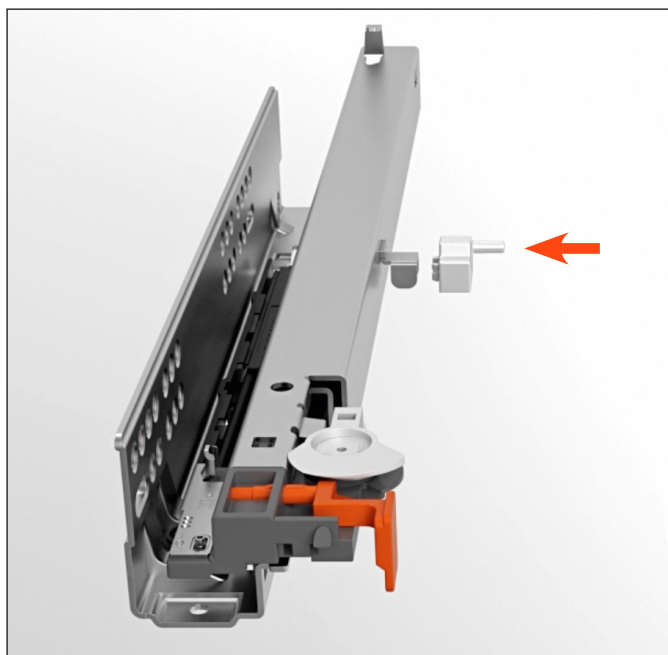
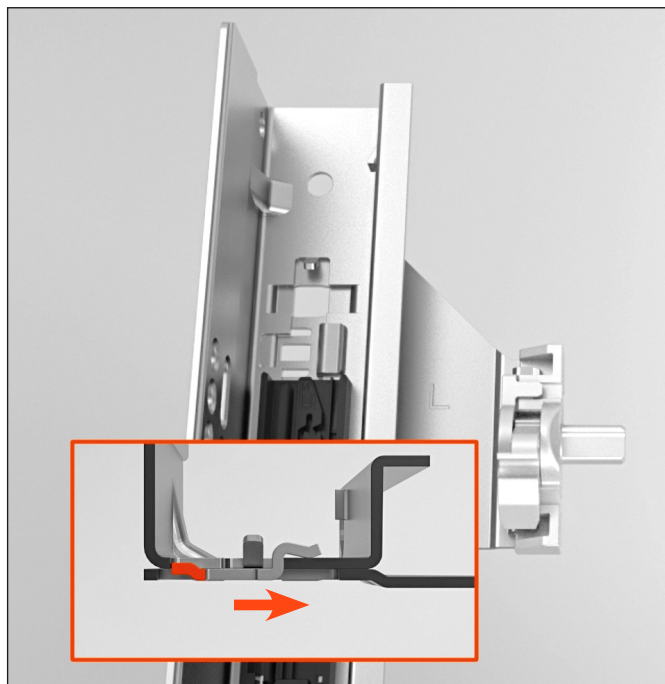
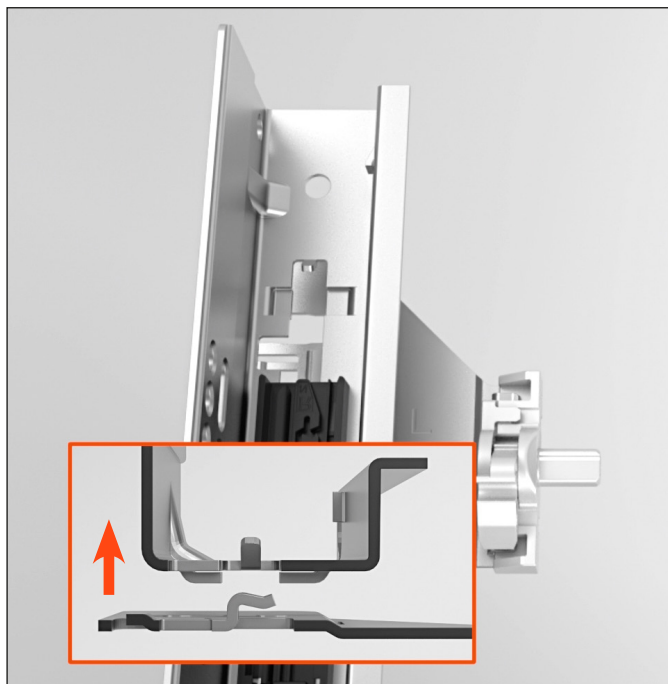


Fitting the driver pins to the runners



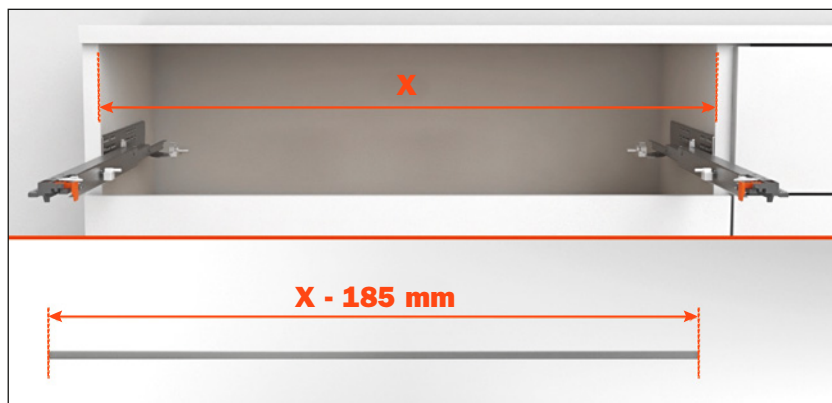
Slide the carrier plates into position on the runners in the direction indicated by the arrows



Screw-fix the runners to the cabinet side

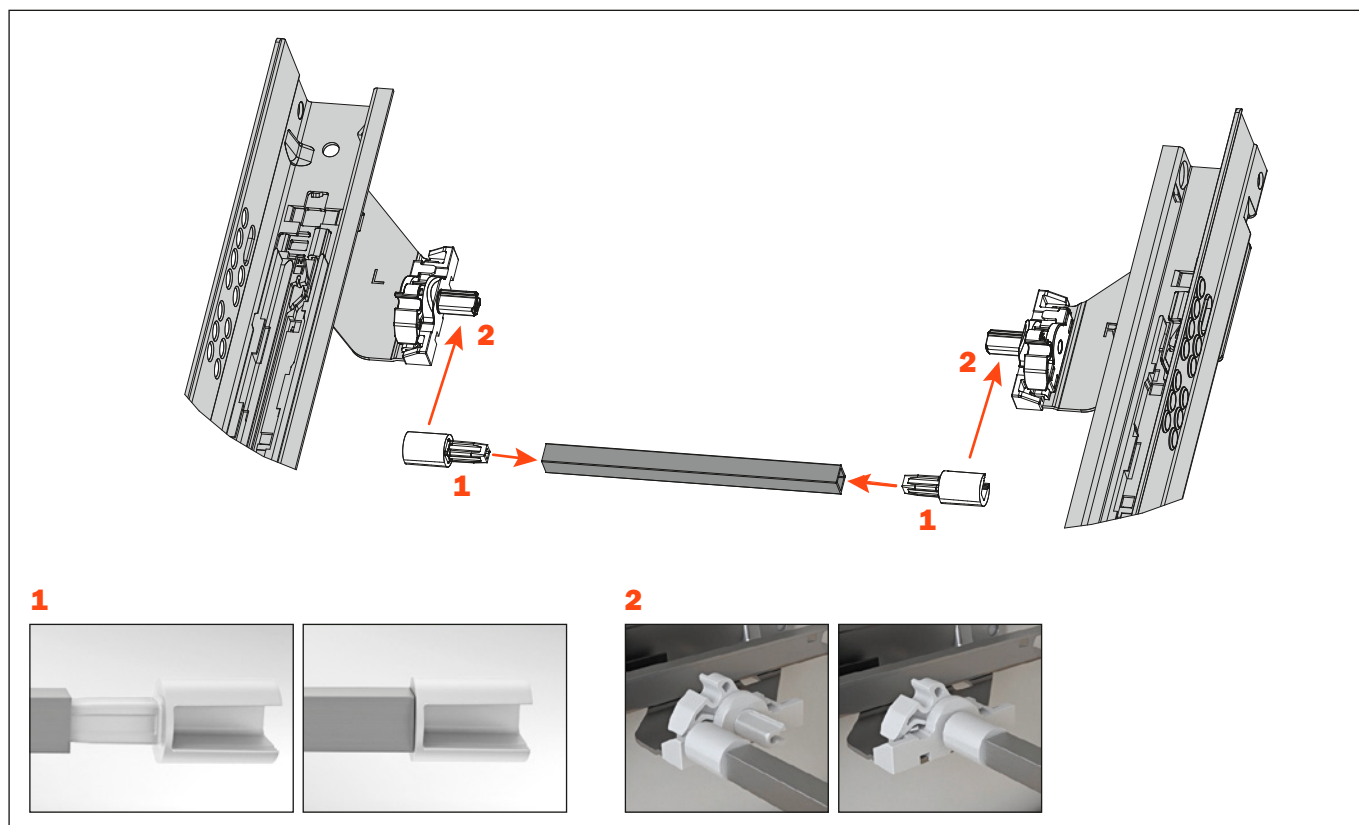


Cut the stabiliser bar to length

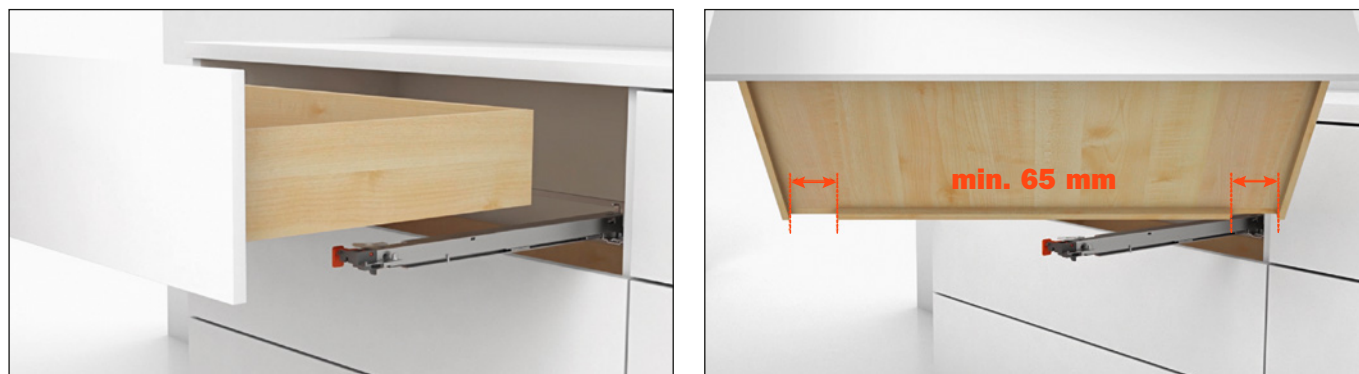


Assembly instructions

1. Press the end caps onto the bar
2. Fix the bar to the plates



Insert the drawer



A pressure at any point on the drawer frontal is sufficient for the drawer to self-open

