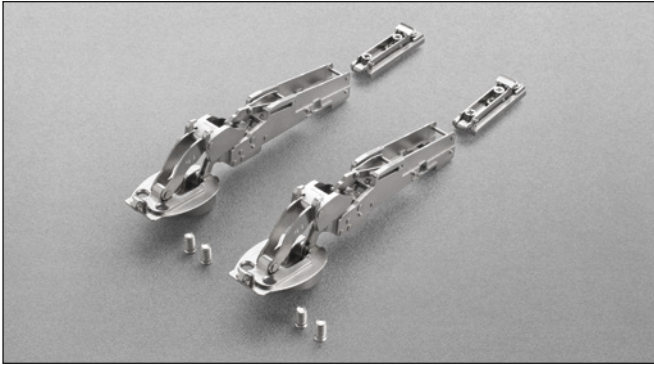


PACTA



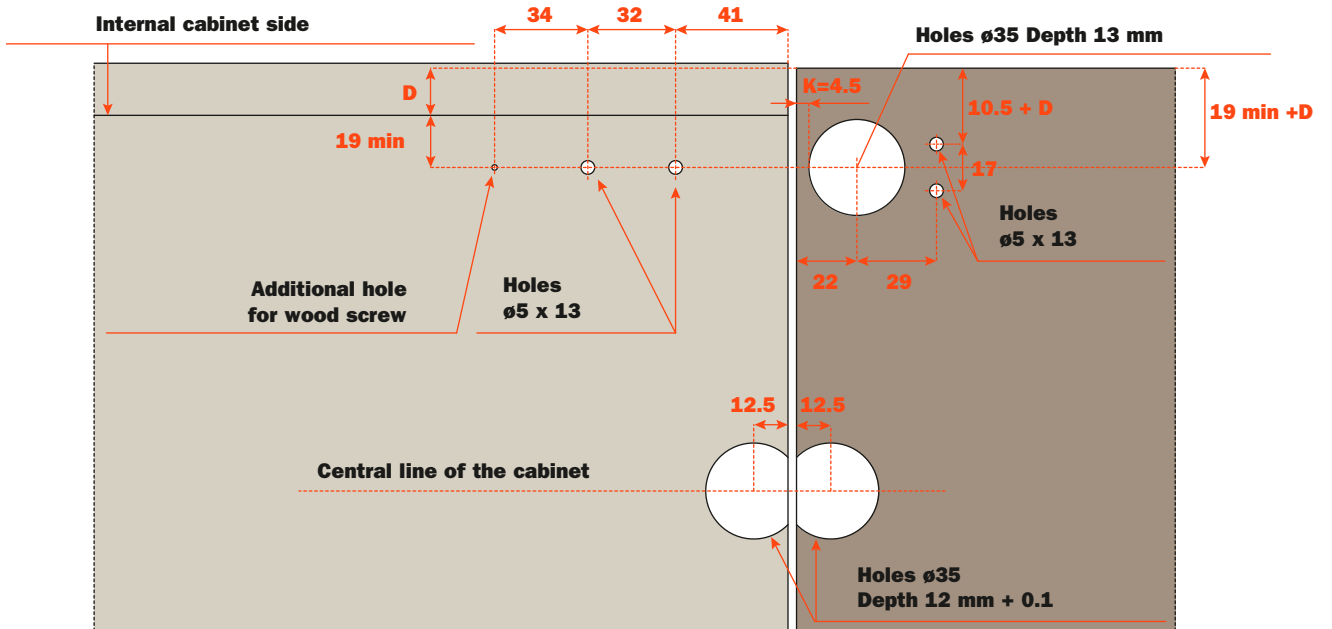
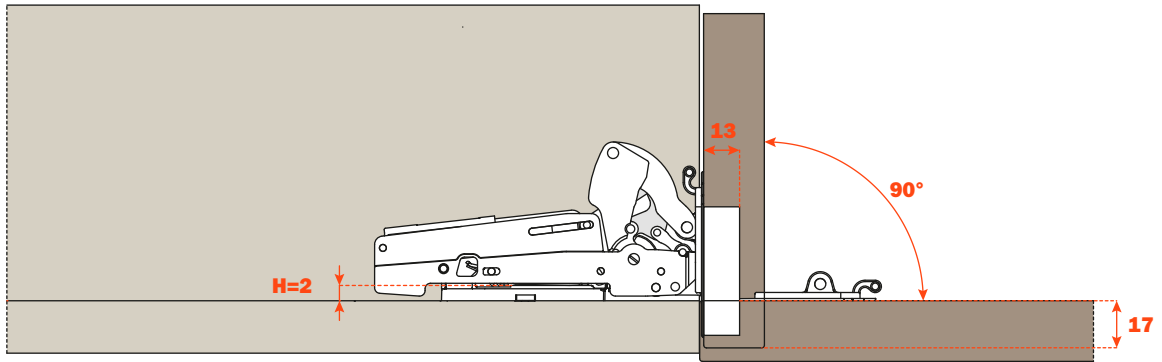
Technical information

**Hinge for flap doors with decelerated opening.
Sprung closing action.**

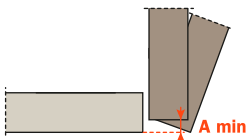
Fixing to the base of the cabinet with longitudinal snap-on mounting plate (BAPGR29/16).
Standard drilling of the door $\varnothing 35$.
13 mm deep cup.
90° opening.
Fixed K = 4.5 mm.

Pacta is tested and certified to level 3 of UNI EN 15828:2010

Drilling patterns



Space needed to open the door



T=	16	17	18	19	20	21	22	23	24	25	26	27	28
K=4.5	A= 1.3	2.1	3	3.9	4.8	5.7	6.6	7.5	8.5	9.4	10.4	11.3	12.3