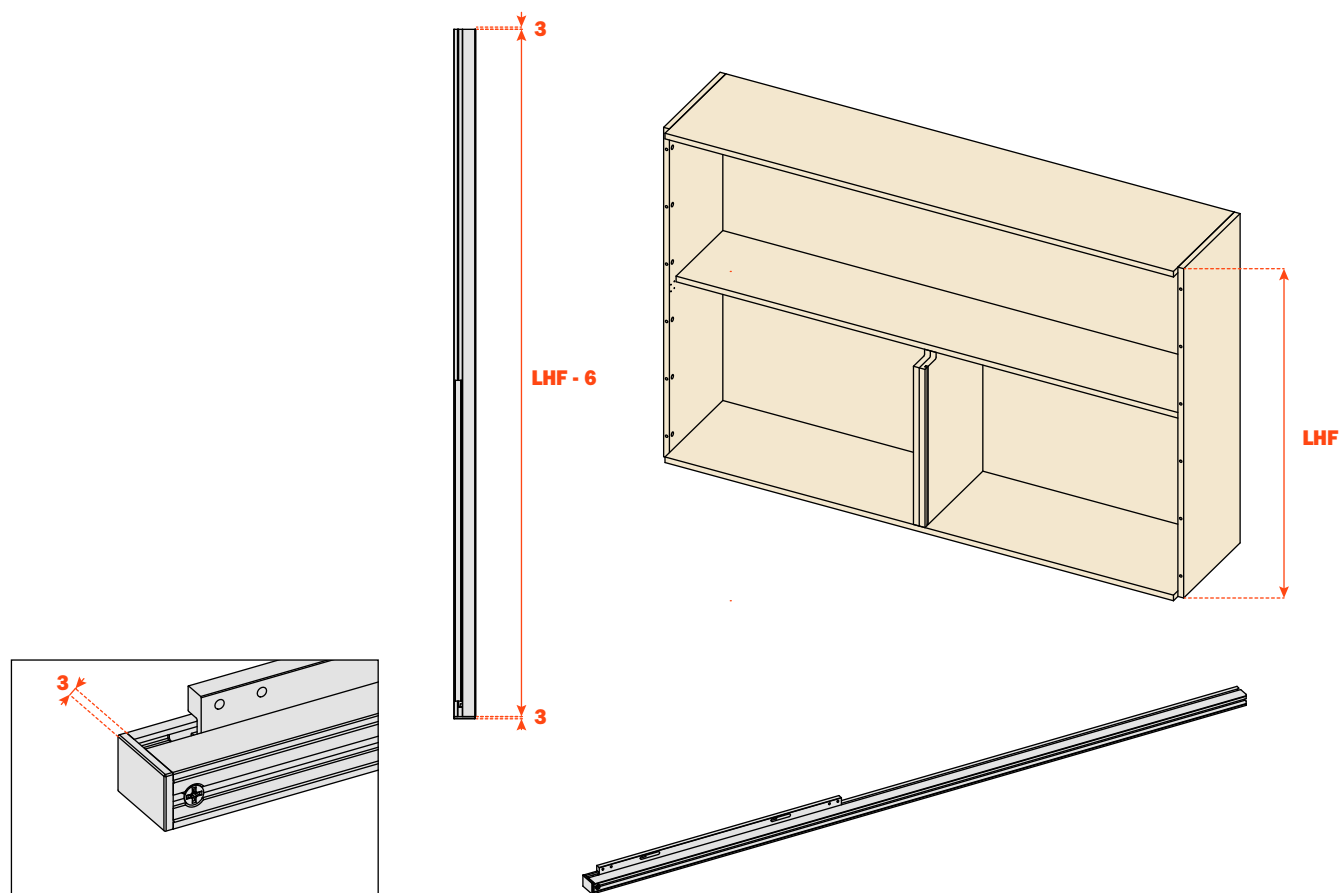
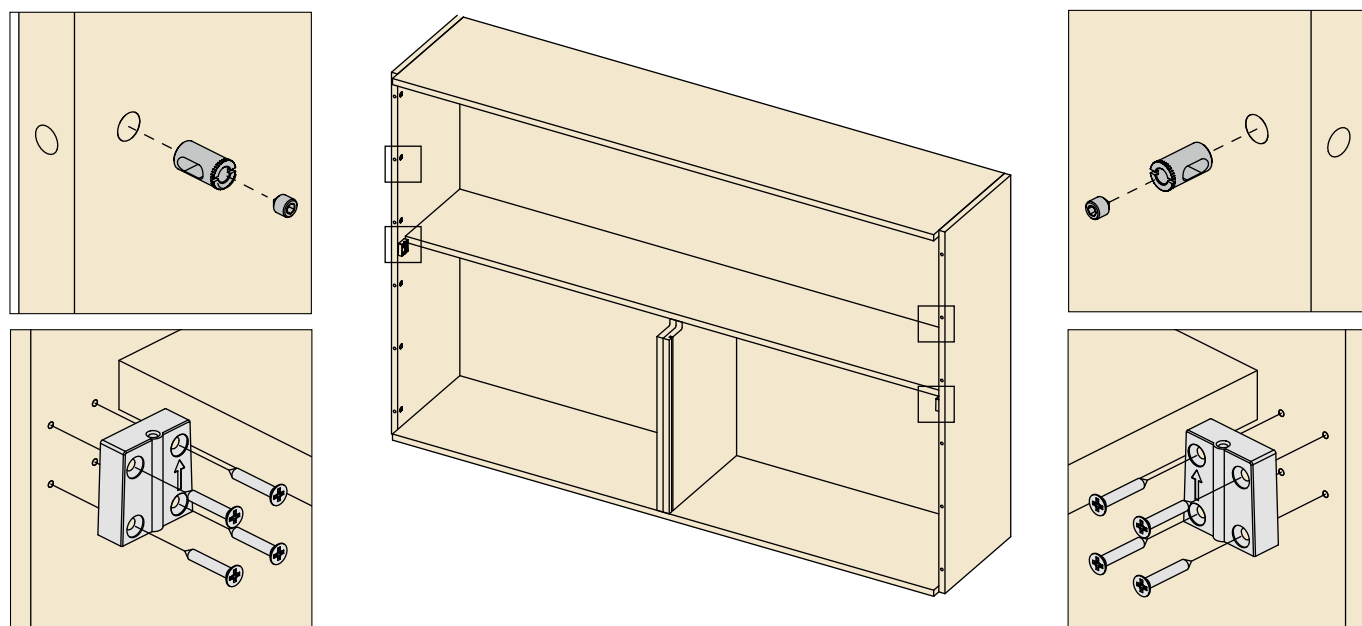


Mover Flat - Assembly instructions

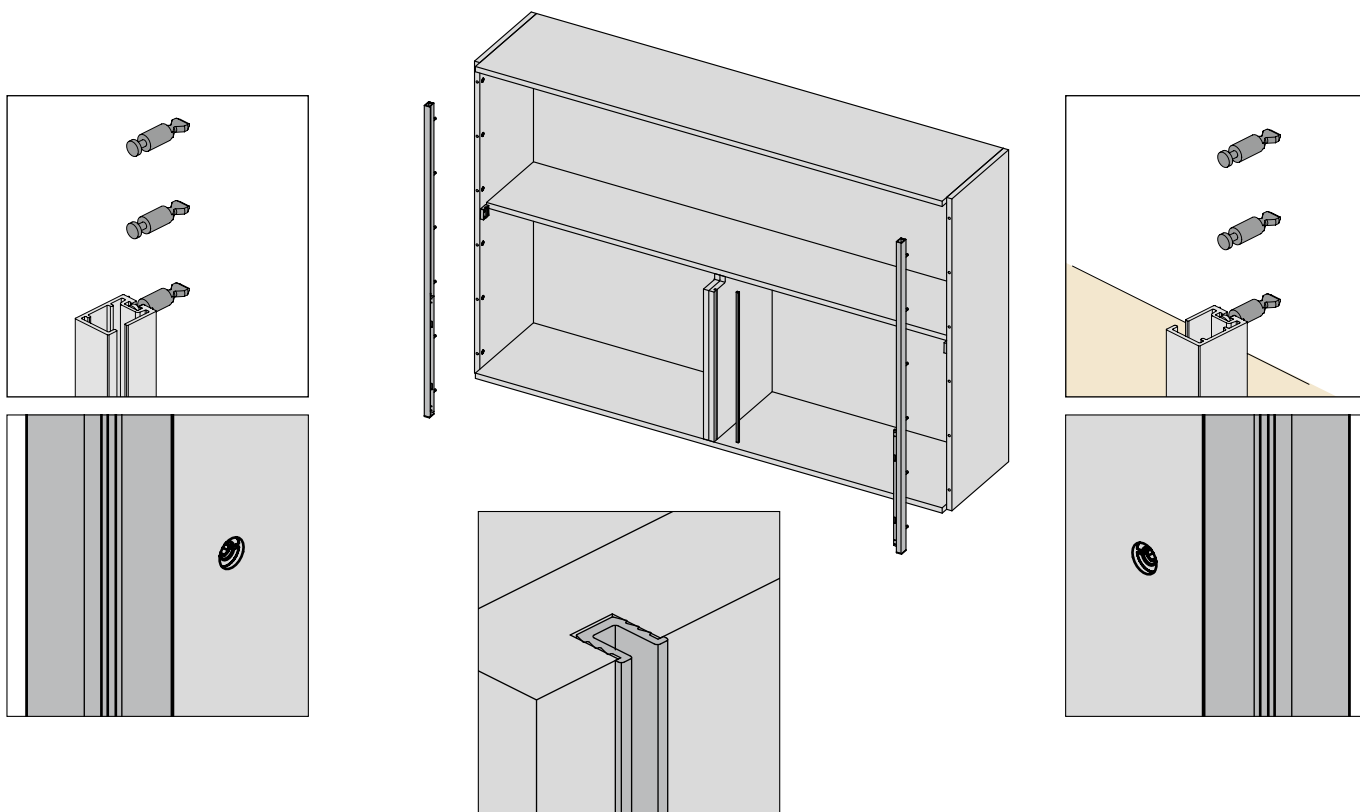
Cut the runners to length, on the side where the cap is not applied.



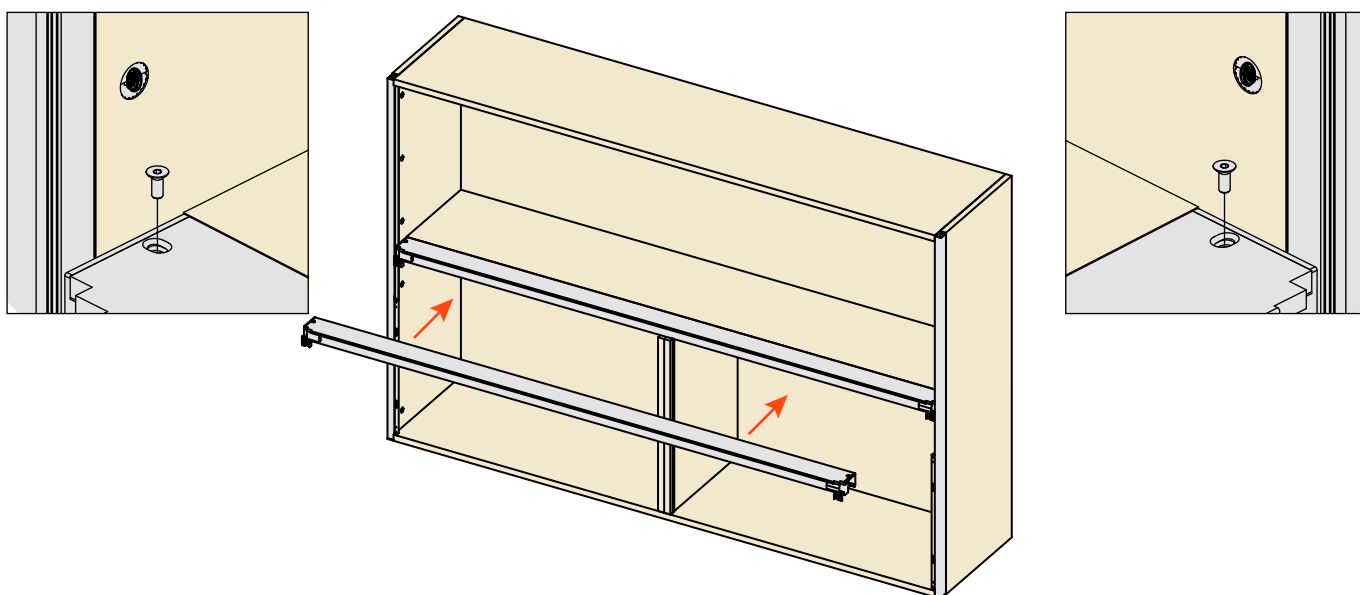
Fix the supports for the system to the cabinet sides and fix the provided cam sets.



Insert the tie rods into the runners and fix them to the cabinet sides through the previously fixed cams.
Fix the sliding profile to the centre panel (1800mm and 2400mm versions only).

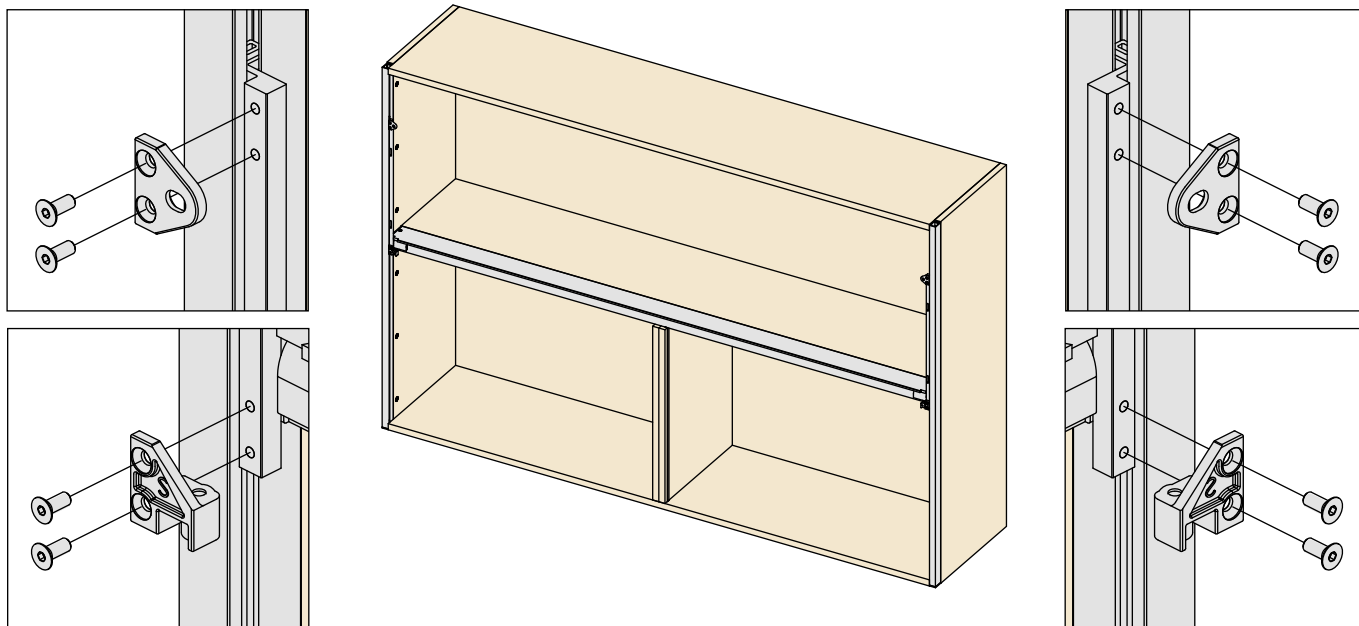


Fix the system to the supports with the screws provided.

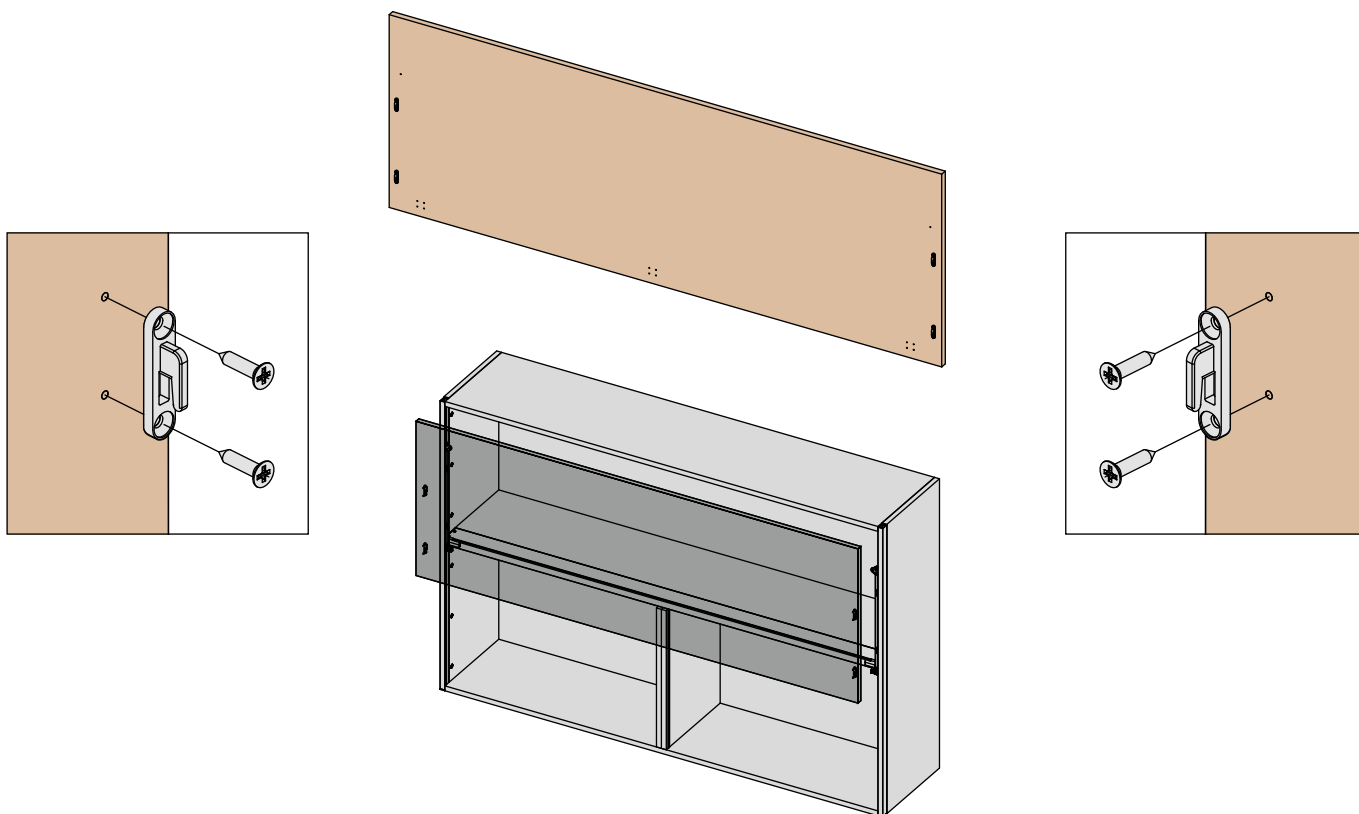


Mover Flat - Assembly instructions

Attach the connection brackets to the sliding profiles using the screws provided.
Attach the door connection brackets to the top of the sliding profiles using the screws provided.



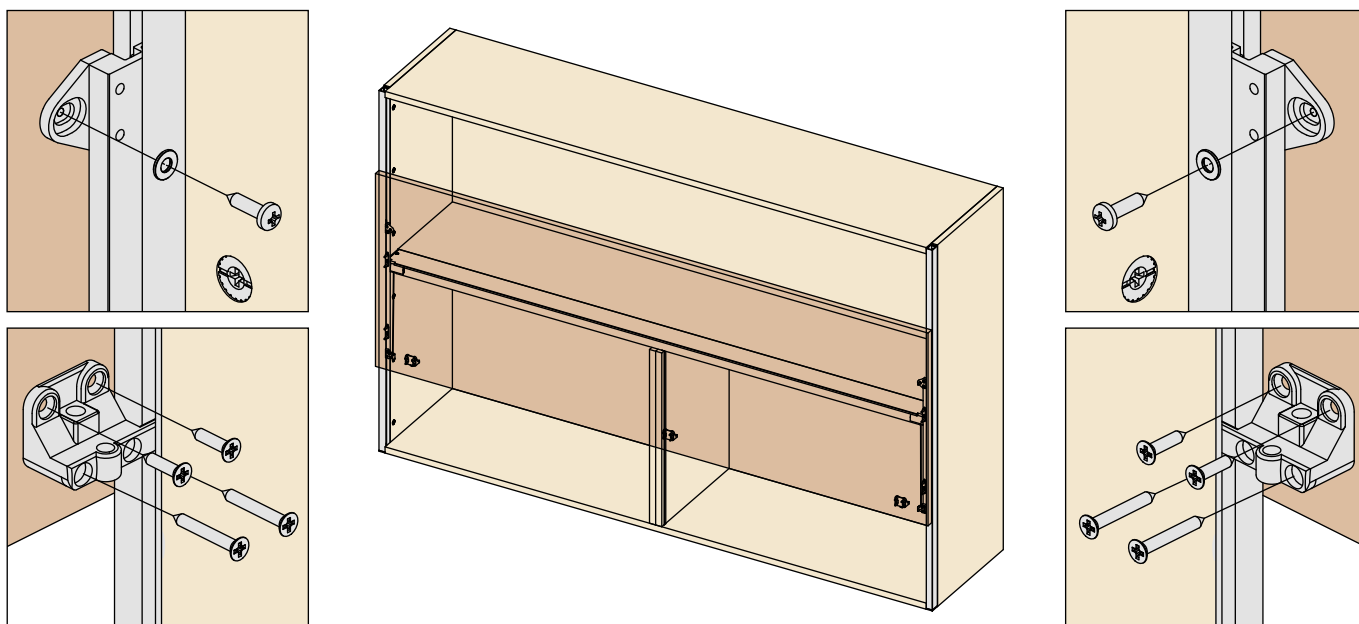
Fix the four hooks to the inside of the door with the woodscrews of the appropriate length. Hang the door onto the inner profile by locating the four hooks into their respective slots.



Push the door down gently until the hooks are fully engaged. When the door is in the correct position, it can be fixed to the carrier brackets with the screws provided.

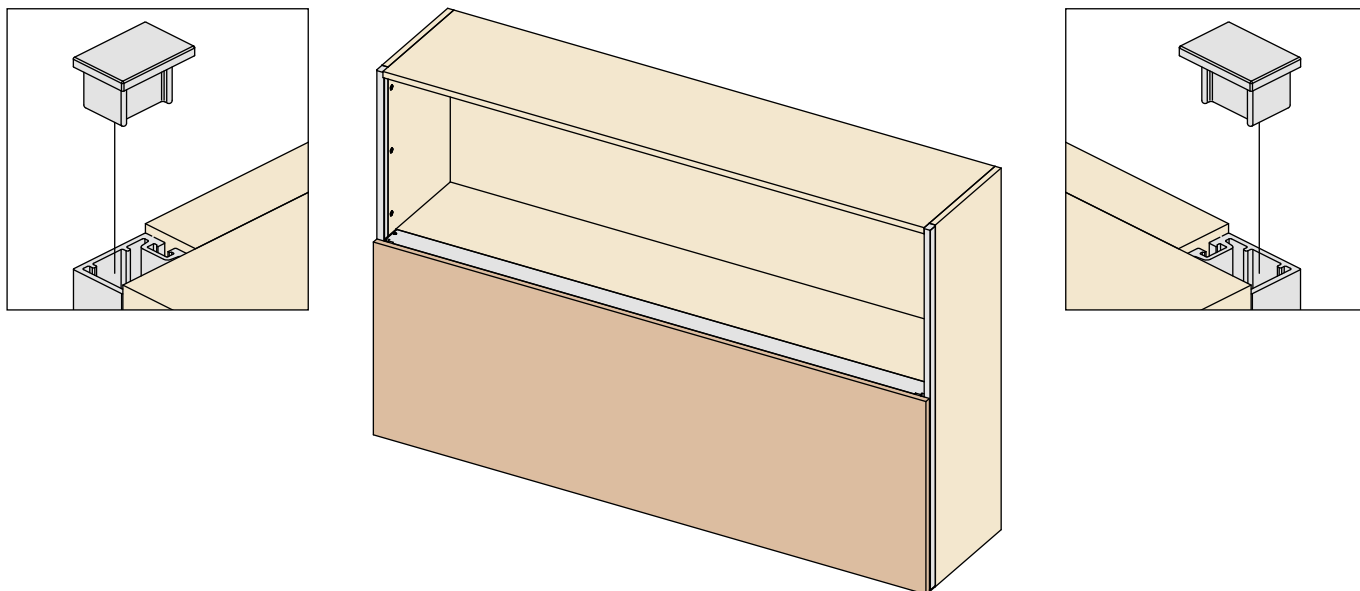
Fix the door buffer brackets in position on the inside of the door with woodscrews of the appropriate length.

For the 1800mm and 2400mm width version fix the central bracket, without the buffer, locating it in the runner on the centre panel to assist the alignment of the wider doors.

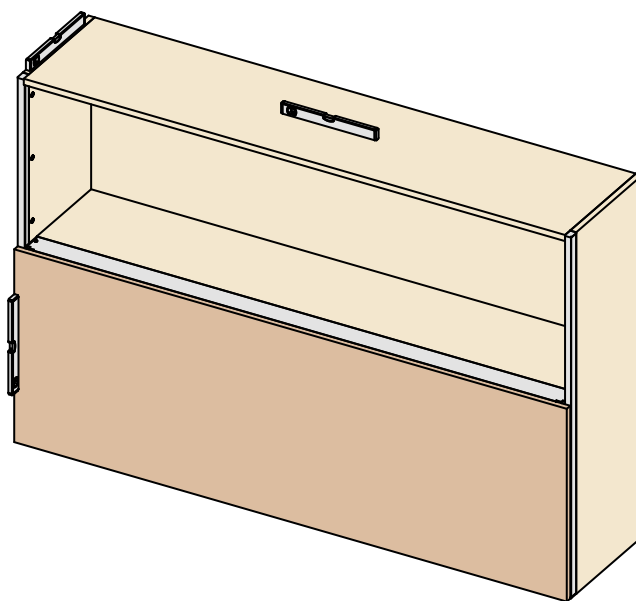


Mover Flat - Assembly instructions

Insert the caps into the upper parts of the runners.



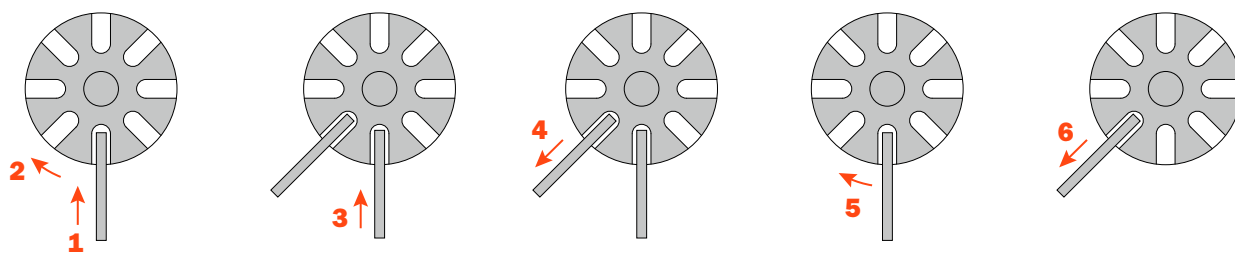
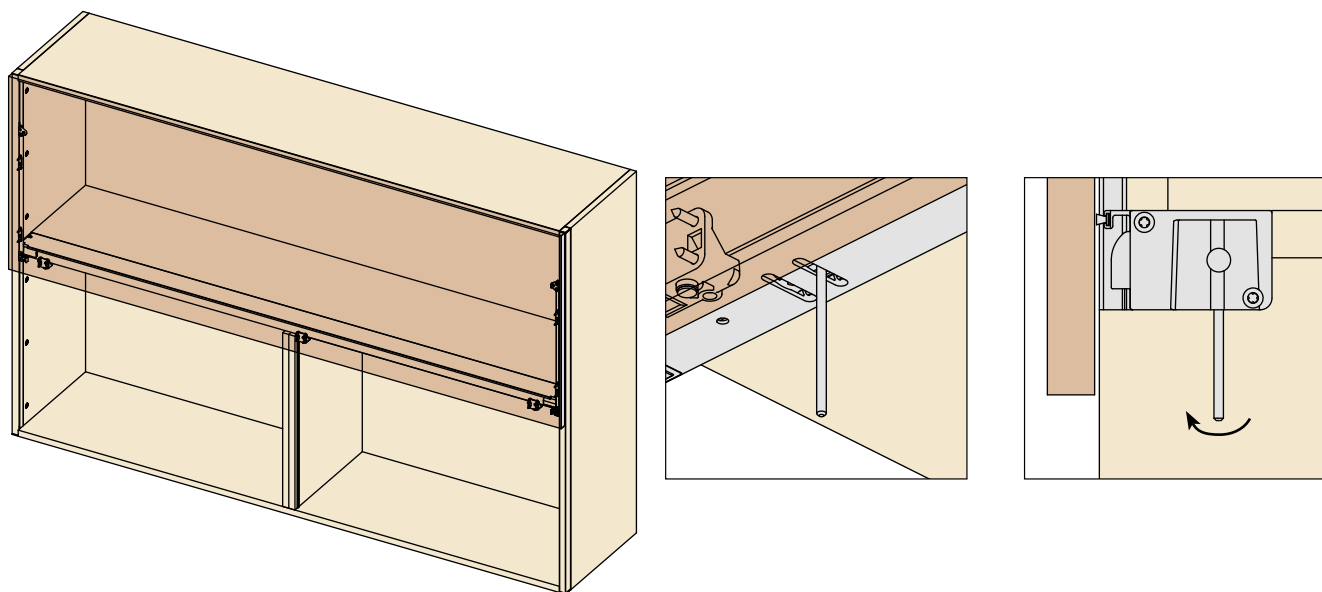
Check the cabinet with a spirit level.



Adjustments

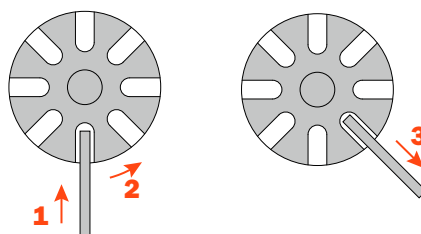
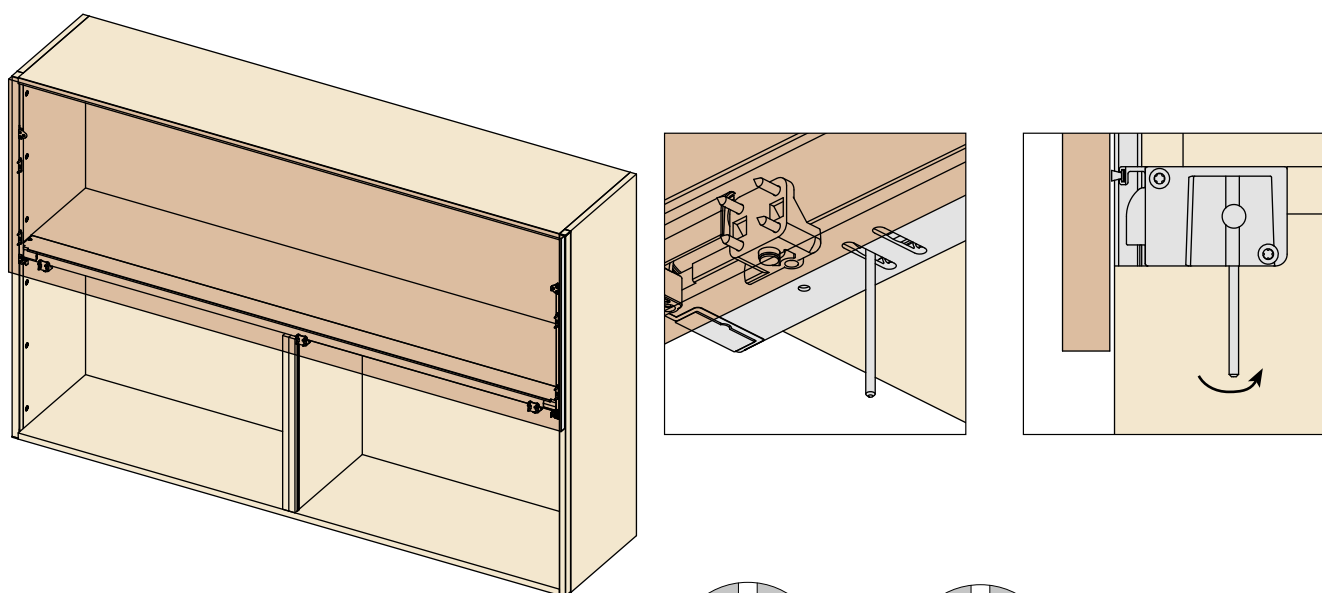
Adjustment of the door.

Door in the open position tends to go down.



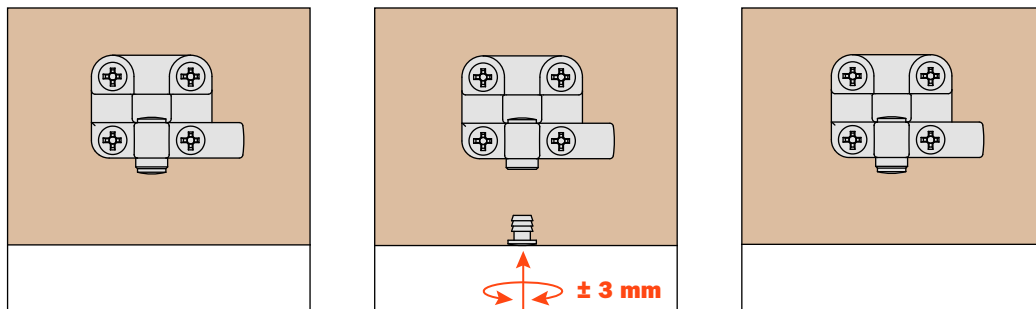
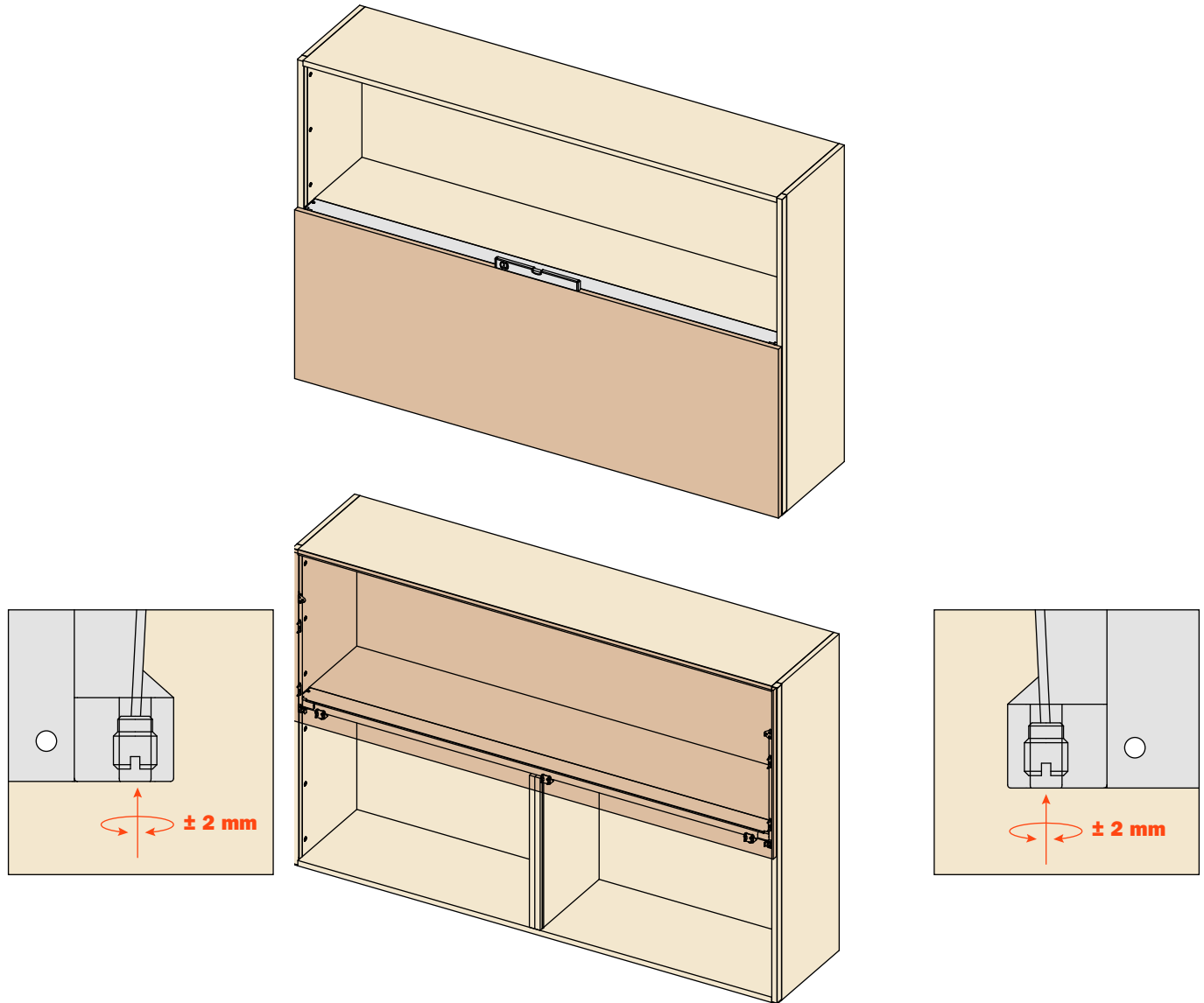
Adjustment of the door.

Door in the closed position tends to rise.



Vertical alignment of the door with the cabinet.

If the edge of the door is not parallel with the side of the cabinet, there is a difference in the length of the right and left support cables. This can be corrected using the adjusters in the door hanging brackets, within a range of +/- 2mm.



Door height adjustment.

Remove the door buffers from their brackets inside the door in order to access the height adjusters. Using a 4mm allen key, adjust the vertical position of the door, replacing the buffers when adjustment is completed.