

Excessories - hang

VE80DAHA0133B = Hanger rail for clothes, length 1000 mm

VE80DAHA0233B = Hanger rail for clothes, length 1500 mm

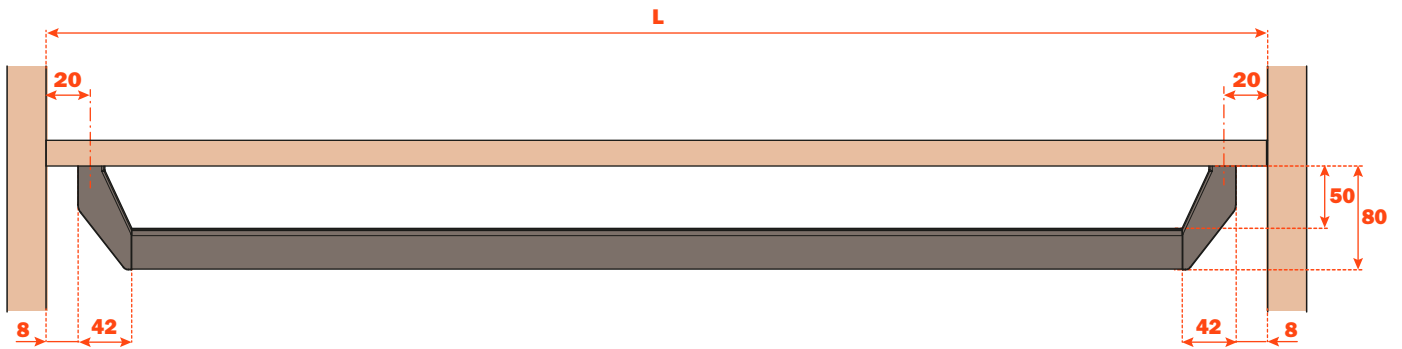
VE80GMRA00633B = End supports for hanger rail

VE80GMRA00733B = Centre support for hanger rail

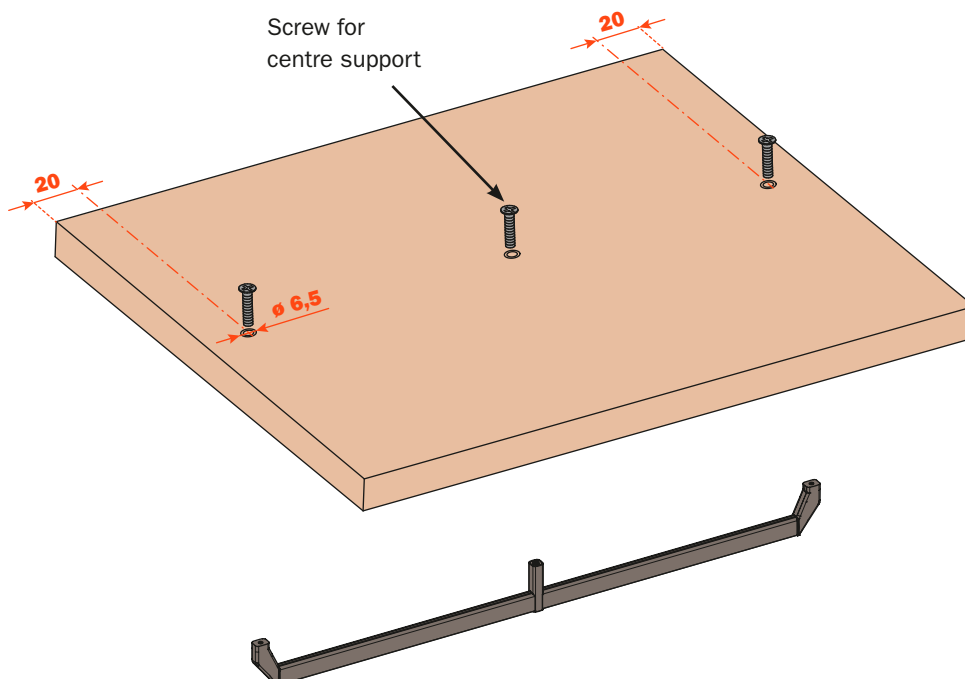
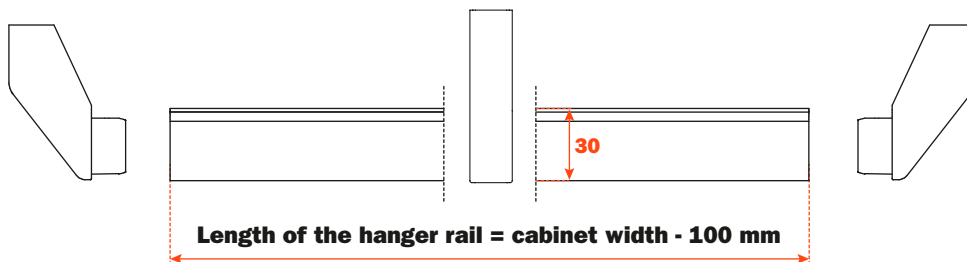
Hanger rail for clothes with supports, for wooden shelf

To be fixed from the top of the cabinet

- Hanger rail material: aluminium, coated with epoxy-based powder, section 15x30 mm
- Supports material: die-cast, coated with epoxy-based powder
- Finish: metal grey brown
- Packing: 20 pieces per box, screws not included
Use M6 screws
Screw length = shelf thickness + min. 10 mm/max. 15 mm
- Custom-tailored hanger rail available when ordering more than 20 pieces



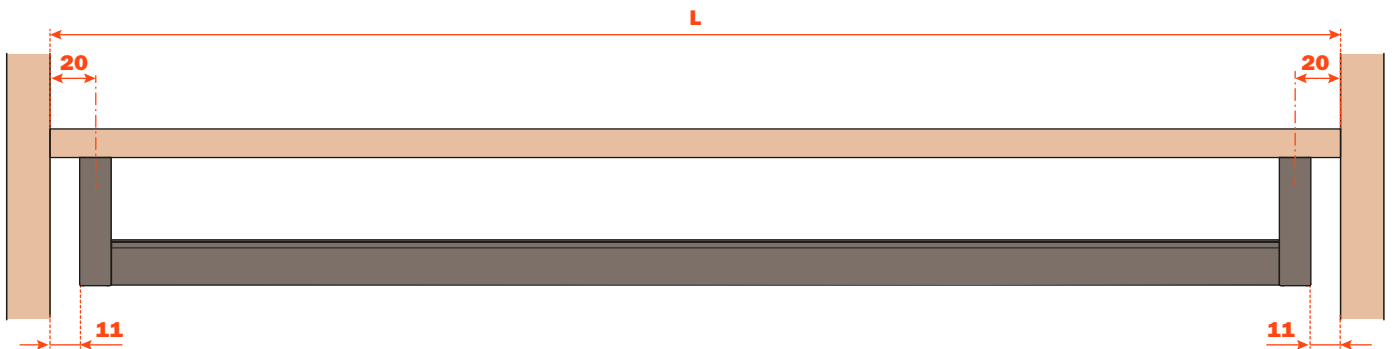
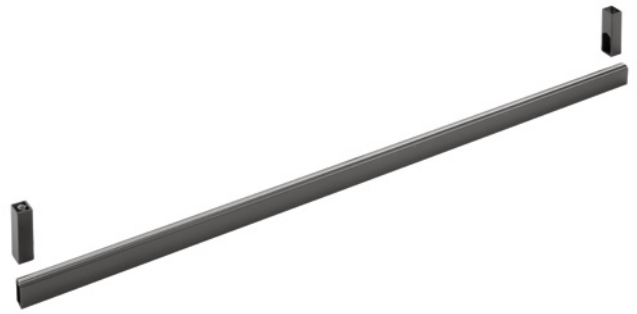
Centre support needed for hanger rails with length above 1200 mm or loads of more than 15 kg



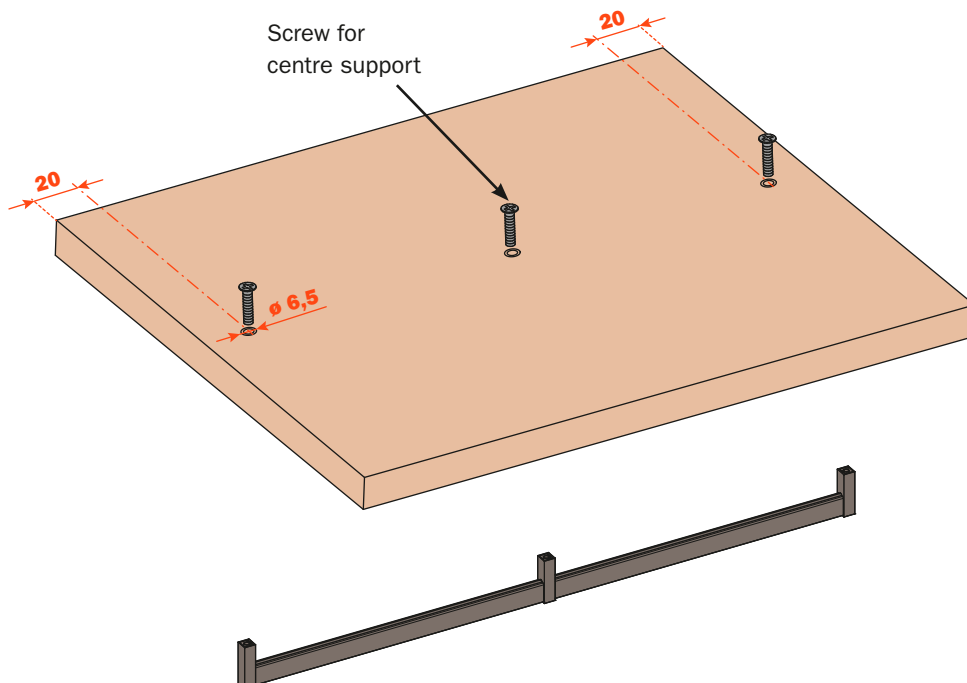
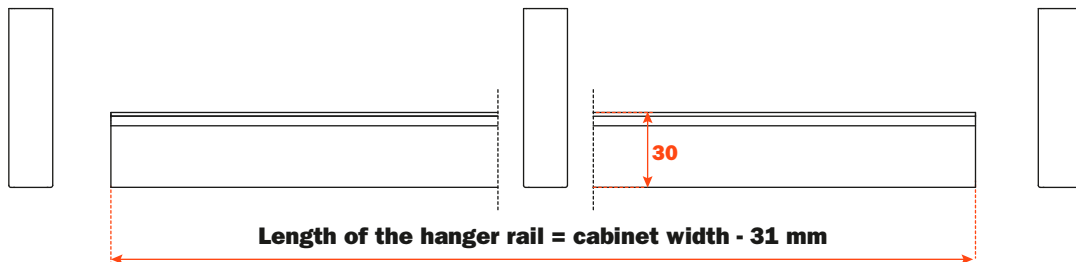
- VE80DAHA0133B** = Hanger rail for clothes, length 1000 mm
- VE80DAHA0233B** = Hanger rail for clothes, length 1500 mm
- VE80DAHA1033B** = End supports for hanger rail
- VE80DAHA1133B** = Centre support for hanger rail

Hanger rail for clothes with supports, for wooden shelf
To be fixed from the top of the cabinet

- Hanger rail material: aluminium, coated with epoxy-based powder, section 15x30 mm
- Supports material: die-cast, coated with epoxy-based powder
- Finish: metal grey brown
- Packing: 20 pieces per box, screws not included
 Use M6 screws
 Screw length = shelf thickness + min. 10 mm/max. 15 mm
- Custom-tailored hanger rail available when ordering more than 20 pieces



Centre support needed for hanger rails with length above 1200 mm or loads of more than 15 kg

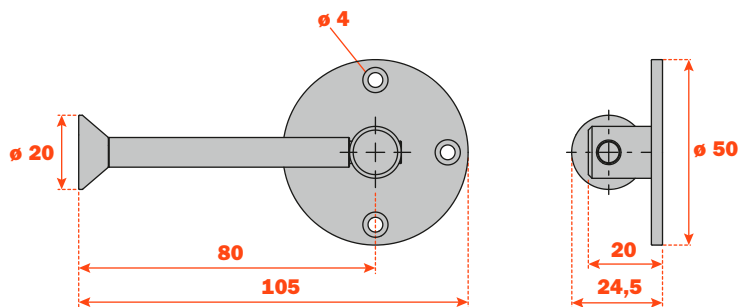
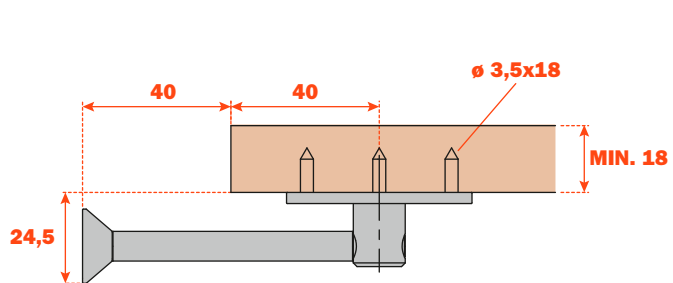


Excessories - hang

VE80DAVA0480B

Swivel hanger fixed under the shelf

- Material: steel
- Finish: nickel
- Packing: 20 pieces per box



VE80DAVA0180B = Cap in nickel finish

VE80DAVA10C3B = Cap in metal grey brown finish

Pull-out hanger

- Material: steel

- Finish: nickel

- Packing: 20 pieces per box

