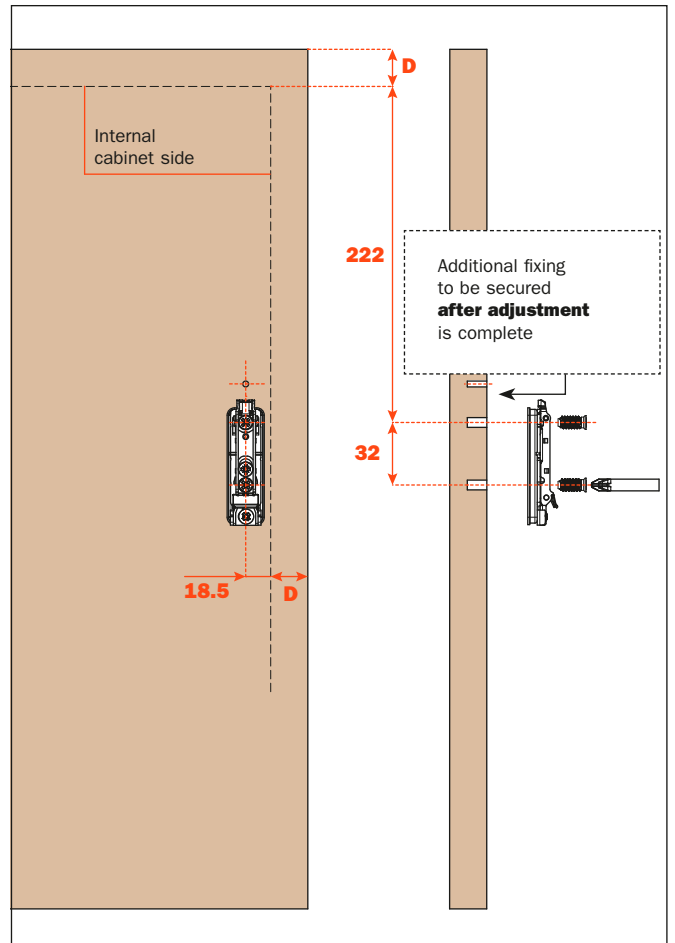


EvoLift - Opening systems - Swing opening door

Assembly instructions

Drilling pattern for wooden door.

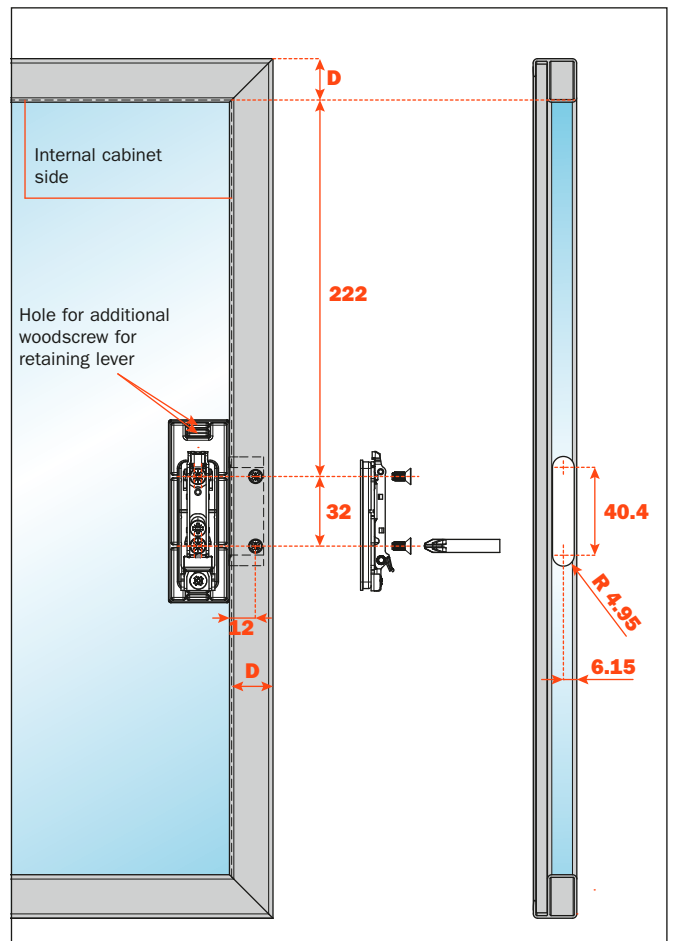
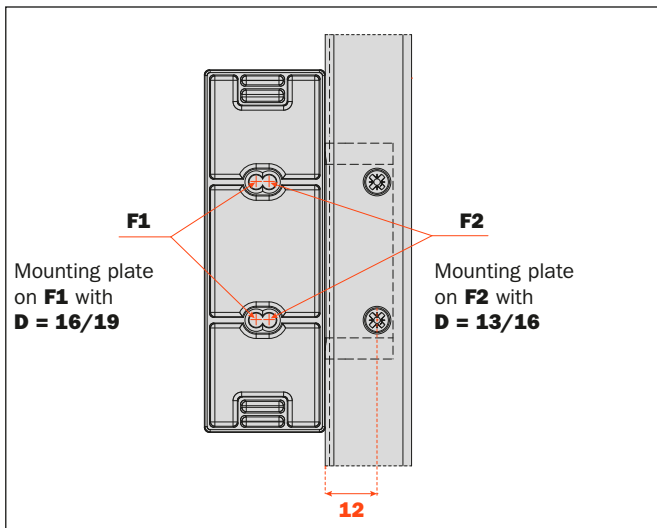
D = Sideways and upper overlay



Drilling pattern for alu-framed door.

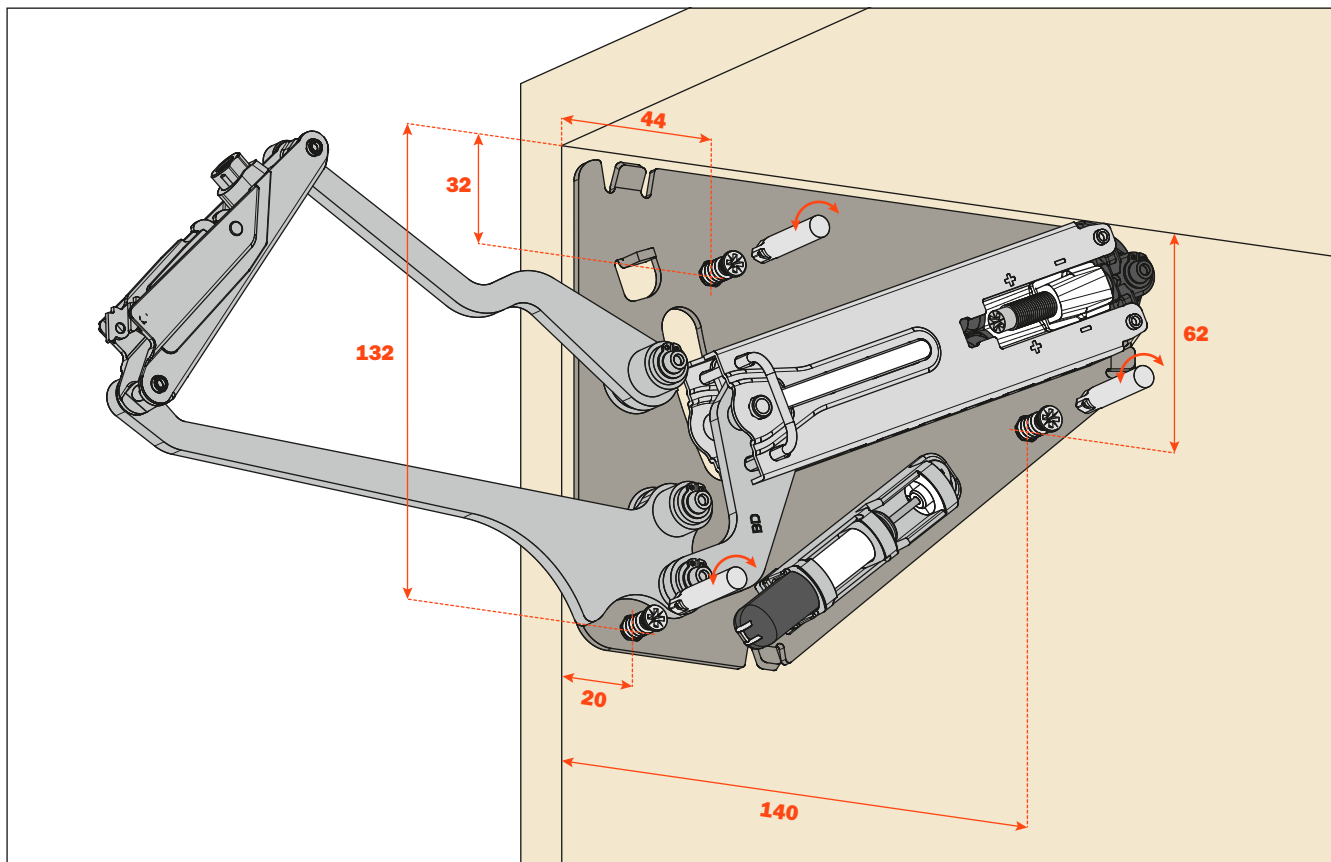
For alu-framed door, fix the mounting plate to the appropriate adapter (**DBZXBH9**).

D = Sideways and upper overlay

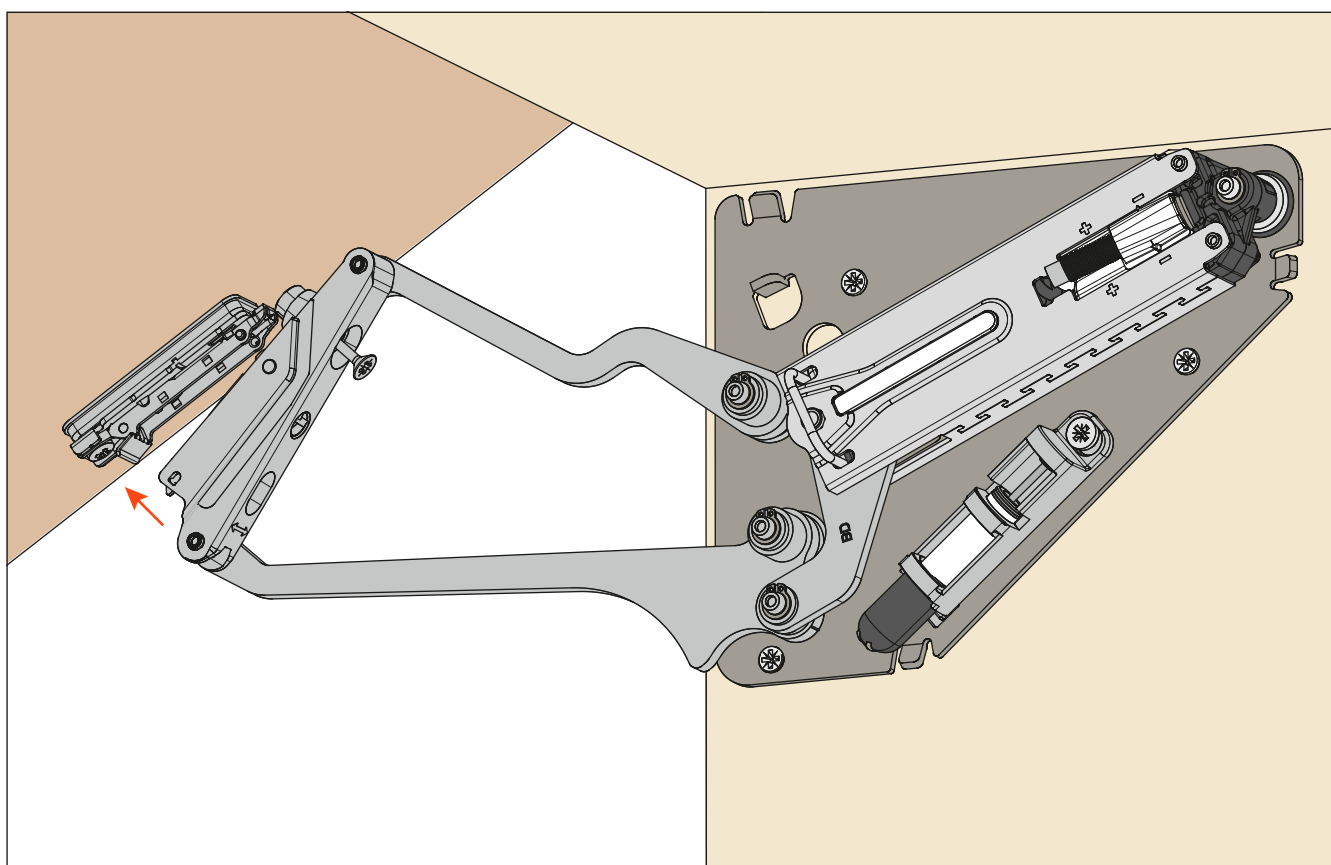




Fixing the system to the cabinet side.

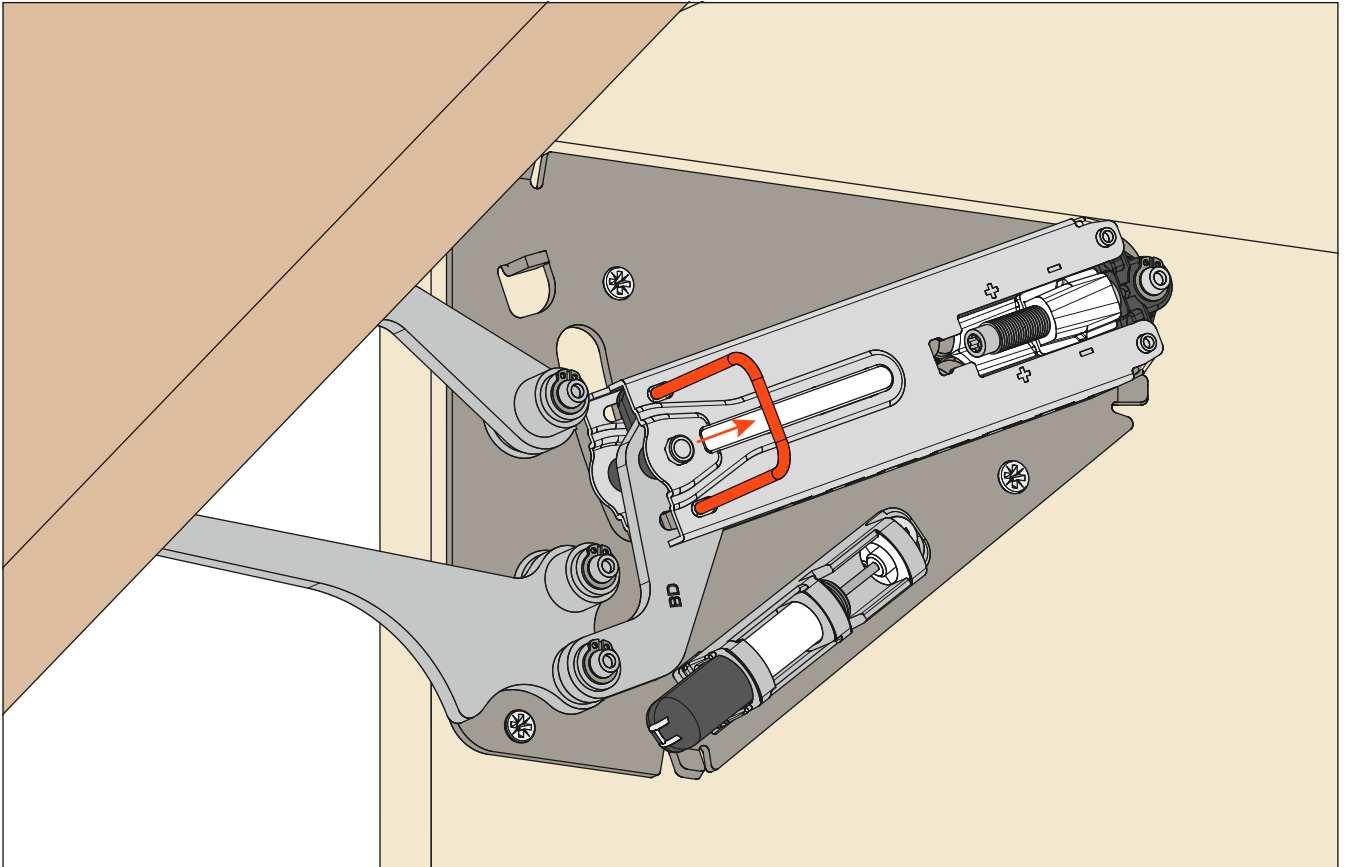


Fitting the door to the cabinet.

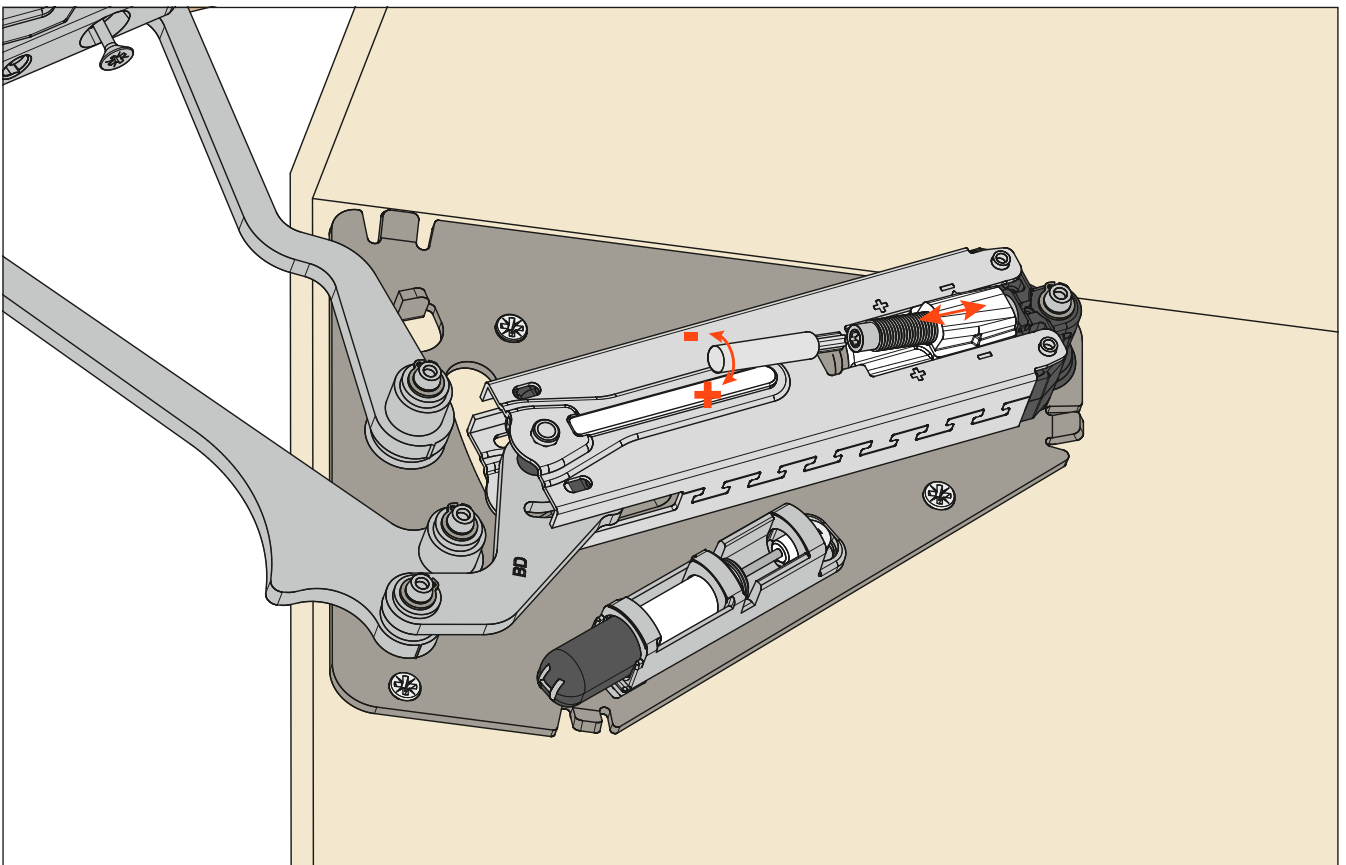


EvoLift - Opening systems - Swing opening door**Assembly instructions****Withdraw the safety clip.**

Lower the door slightly until the safety clip can be easily withdrawn.

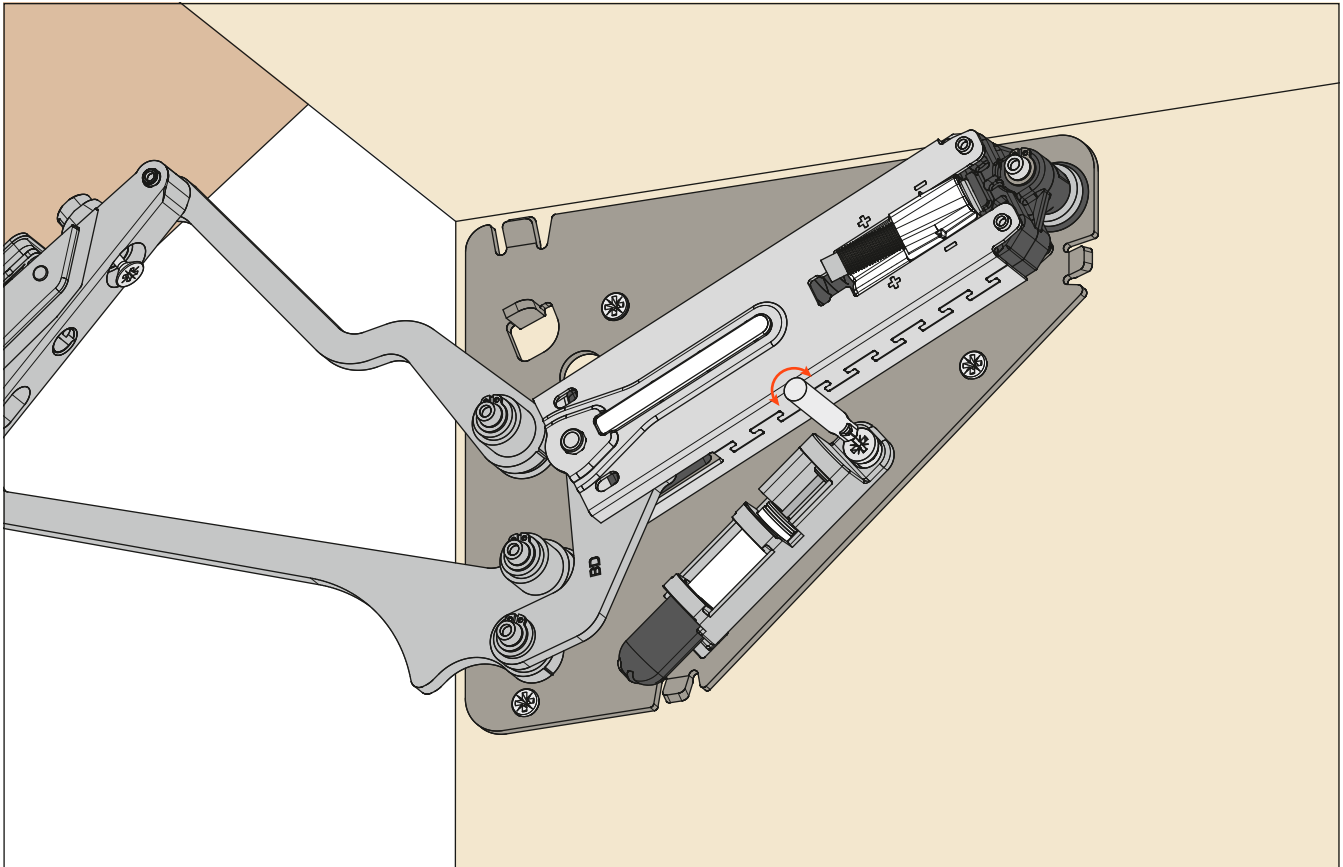
**Adjustment of the system strength.**

Use a Torx bit T20.

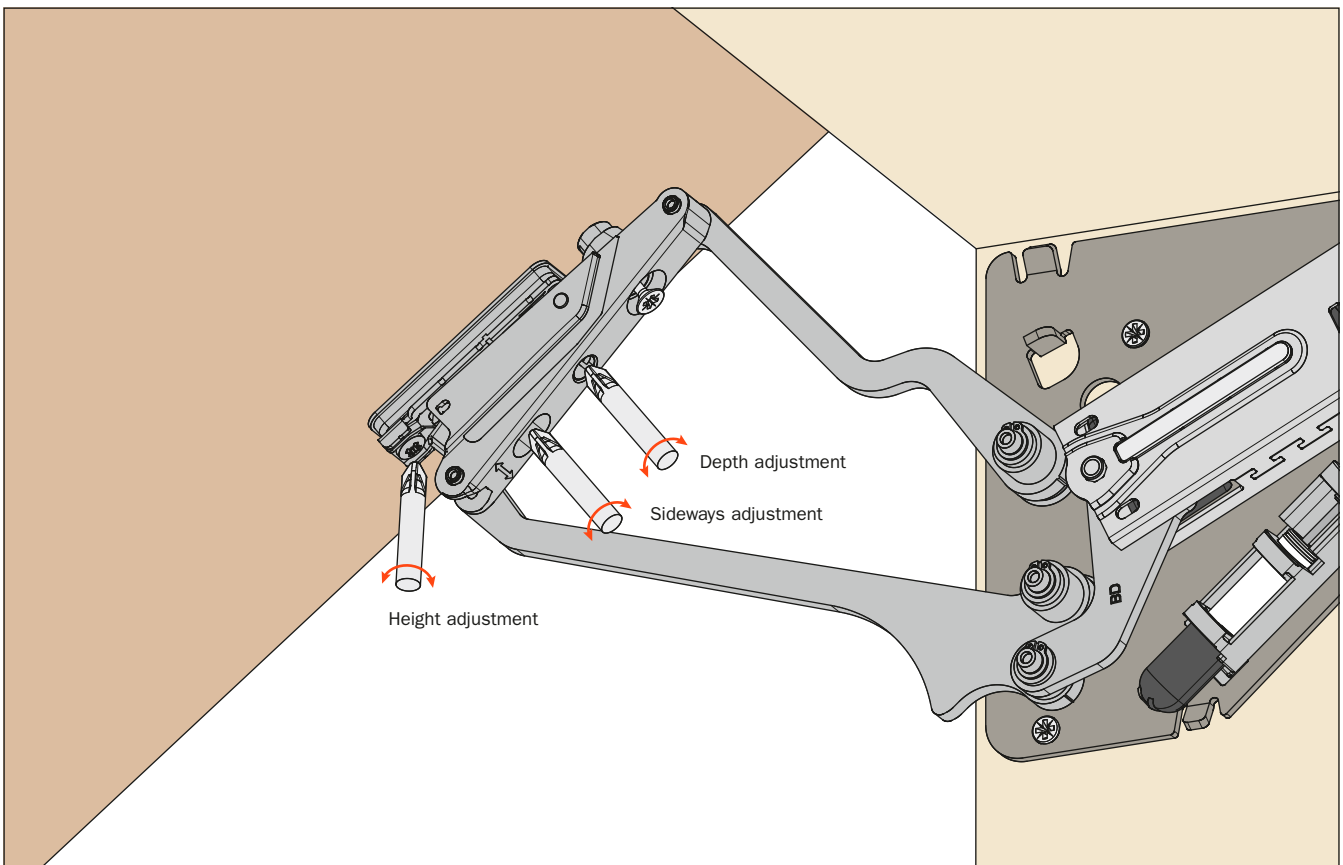




Adjustment of the decelerating effect.

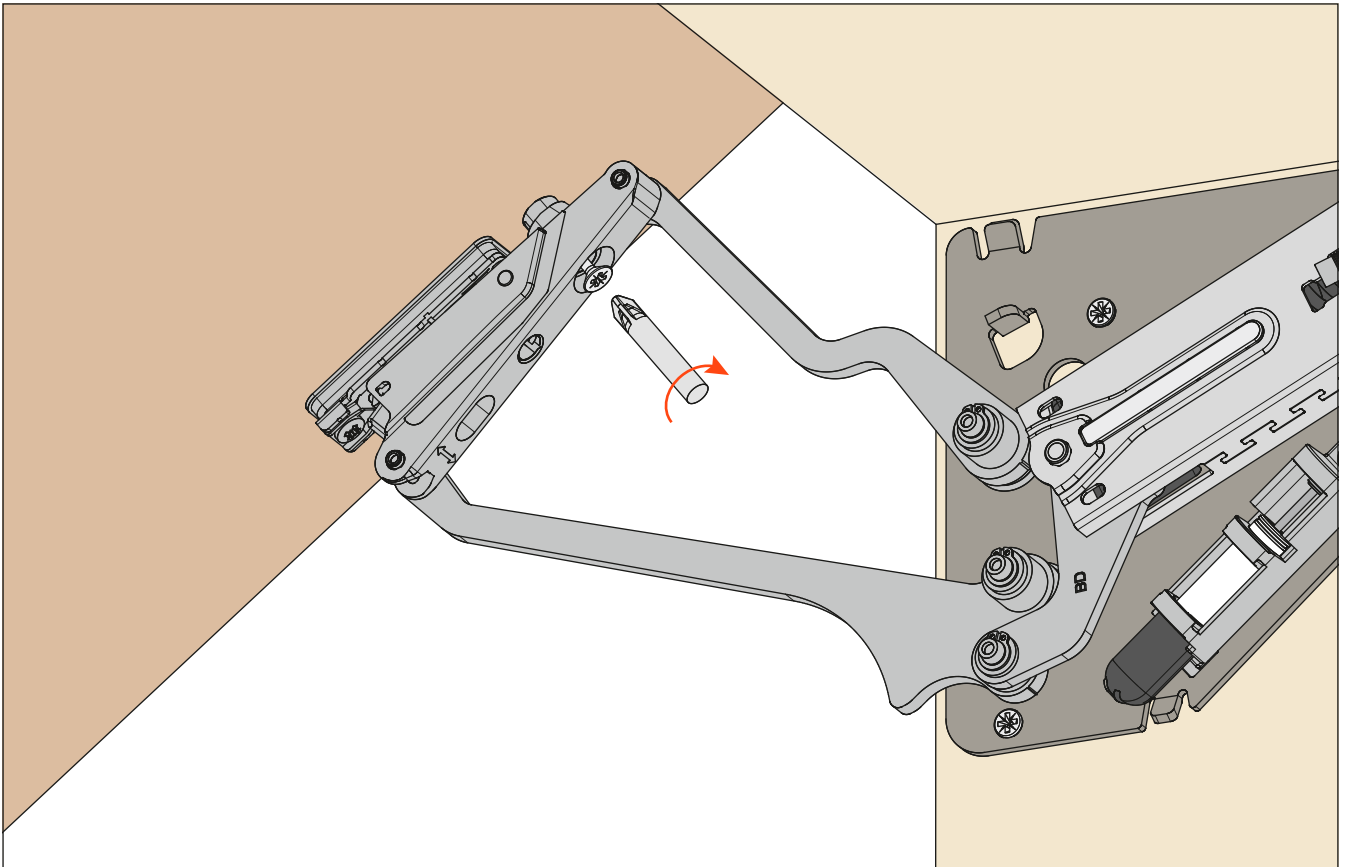
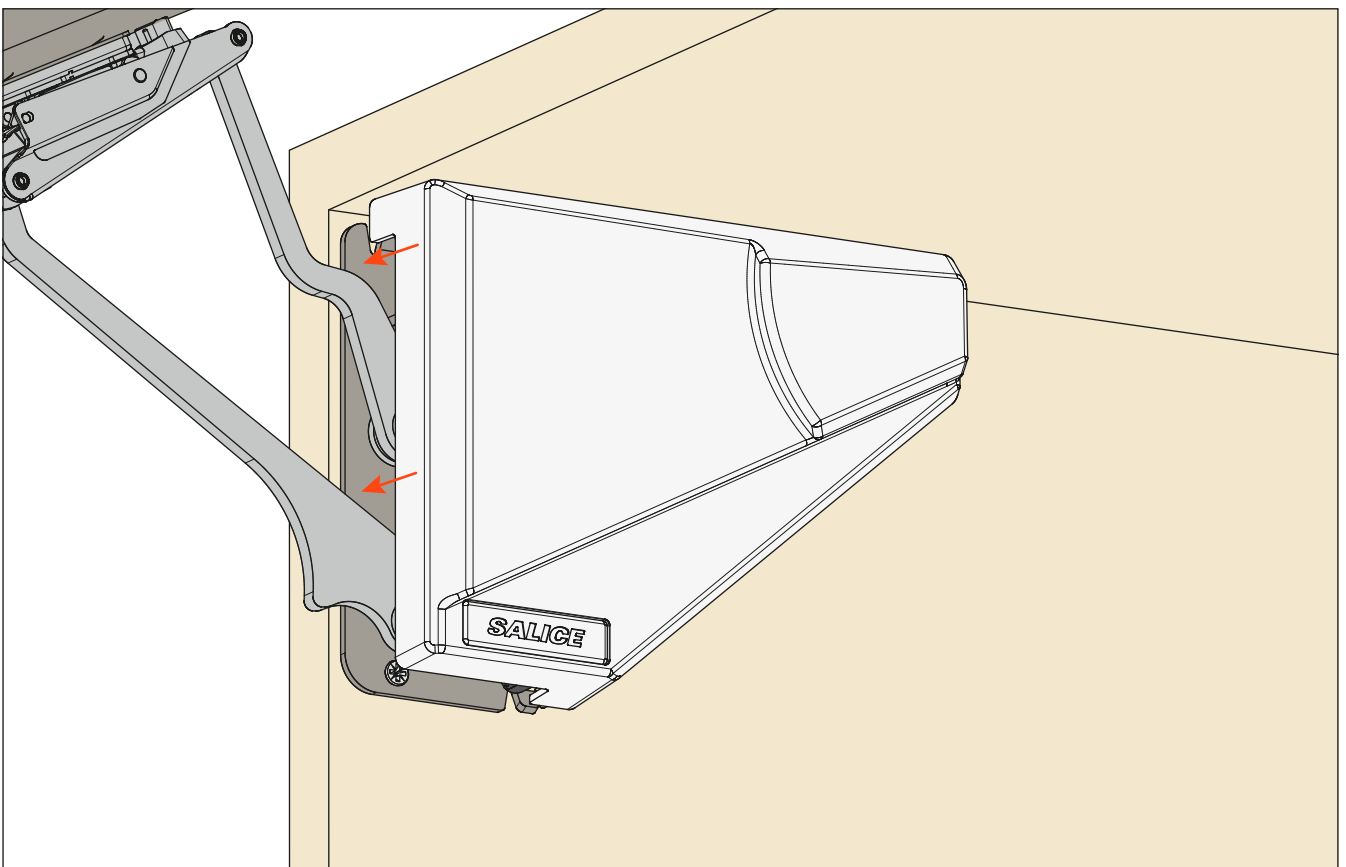


Adjustments of the door.



EvoLift - Opening systems - Swing opening door**Assembly instructions****Additional fixing to be secured after adjustment is complete.**

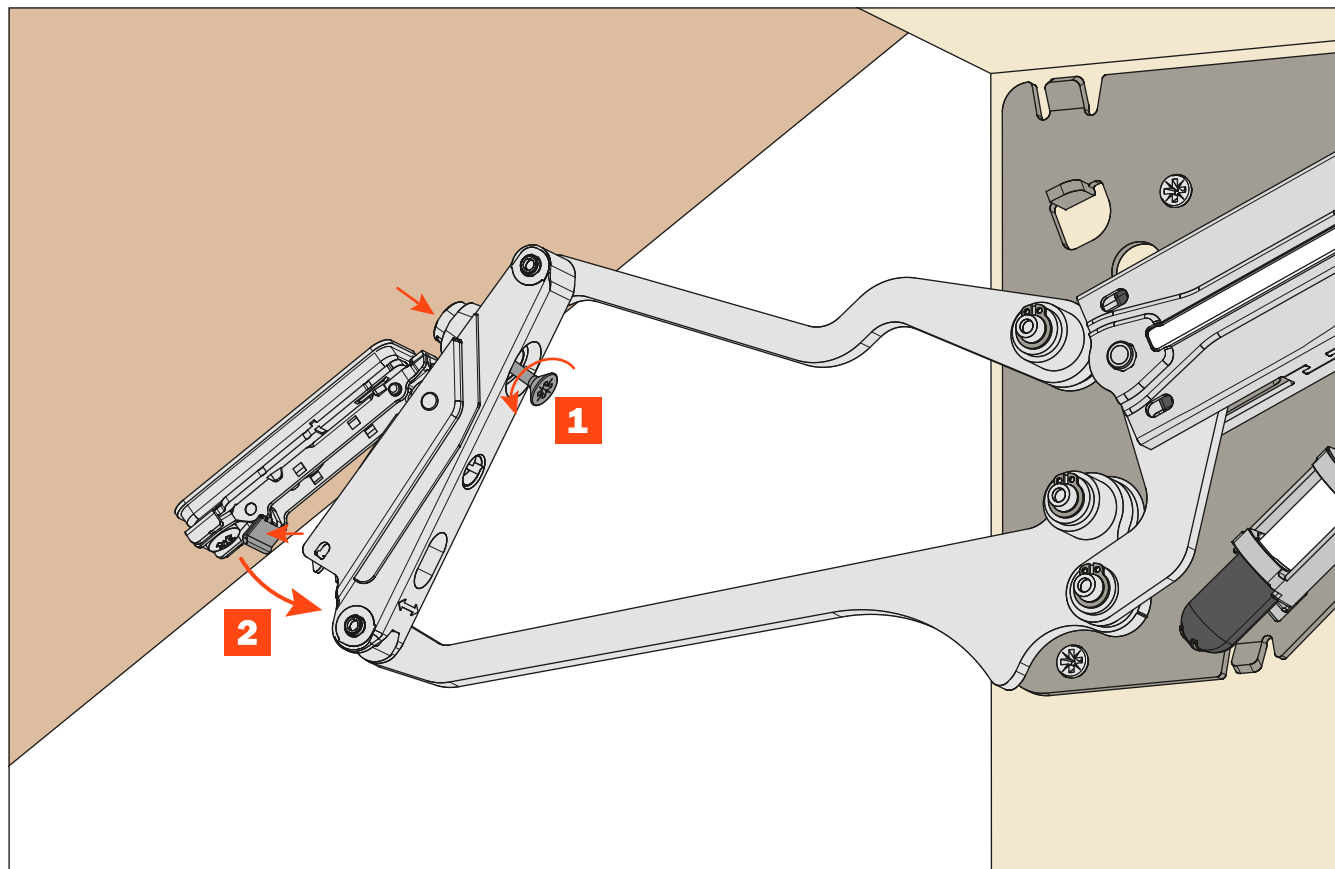
For alu-framed door, replace the indicated screw with the one in the package with the adapter DBZXBH9.

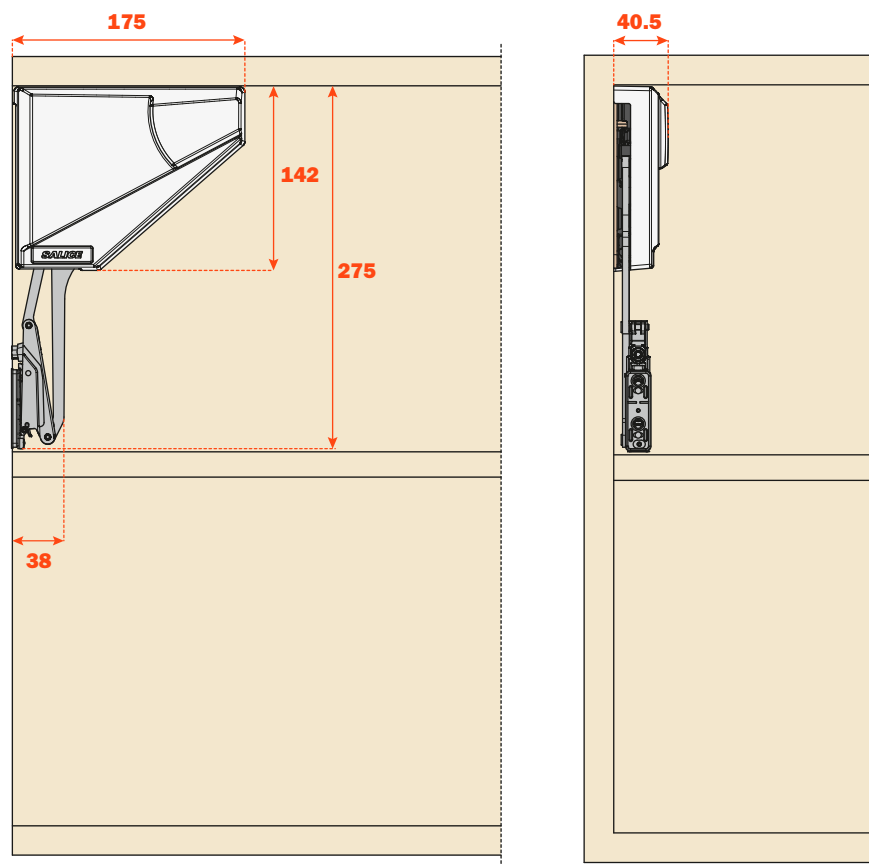
**Installing the cover.**



Removal of the door.

Loosen the additional fixing screw and disconnect the arm from the door.



EvoLift - Opening systems - Swing opening door**Dimensions of the system.**



Dimensions and position of the open door.

