

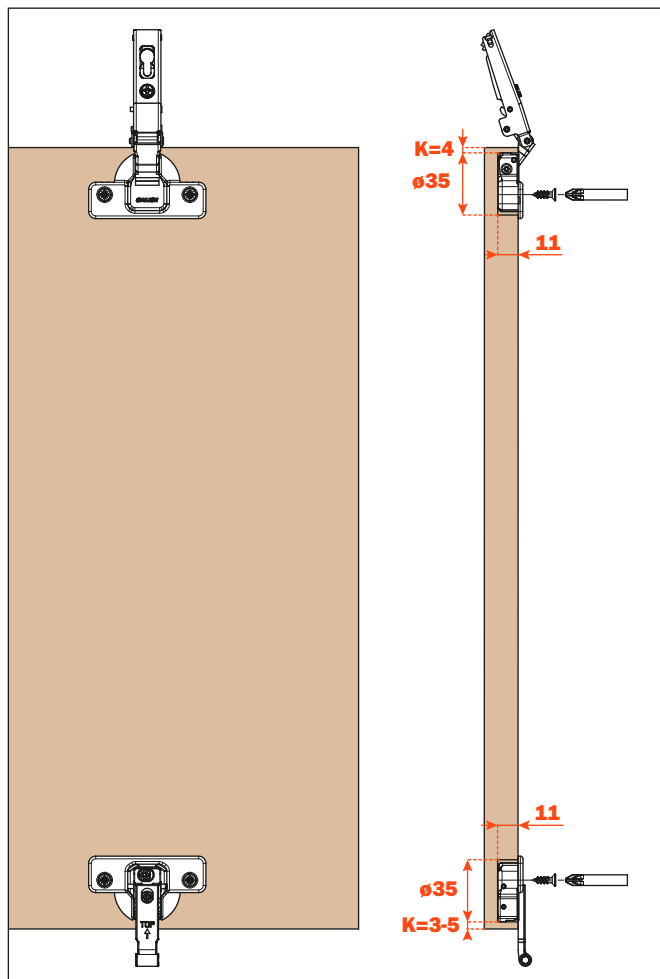
# EvoLift - Opening systems - Folding door

## Assembly instructions

### Drilling pattern for the upper wooden door.

#### Available fixing systems for the hinge cup:

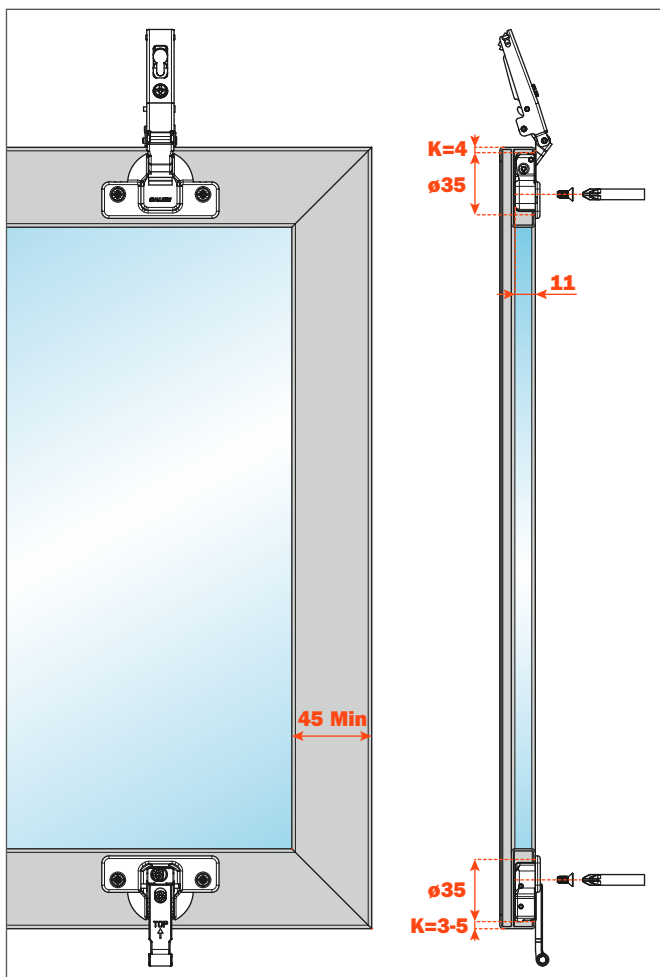
- A** = wood screw fixing, 48x6 mm drilling
- P** = wood screw fixing, 45x9.5 mm drilling
- U** = wood screw fixing, 52x5.5 mm drilling
- B** = dowel fixing, 48x6 mm drilling
- R** = dowel fixing, 45x9.5 mm drilling
- W** = dowel fixing, 52x5.5 mm drilling



### Drilling pattern for the upper alu-framed door width min. 45 mm.

#### Available fixing systems for the hinge cup:

- A** = woodscrew fixing, 48x6 mm drilling
- P** = woodscrew fixing, 45x9.5 mm drilling
- U** = woodscrew fixing, 52x5.5 mm drilling





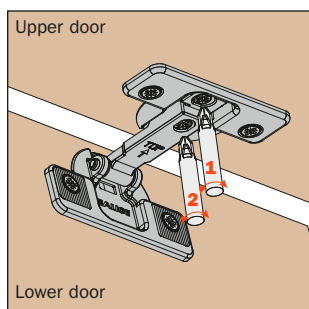
## Drilling pattern for the lower wooden door.

### Available fixing systems for the hinge cup:

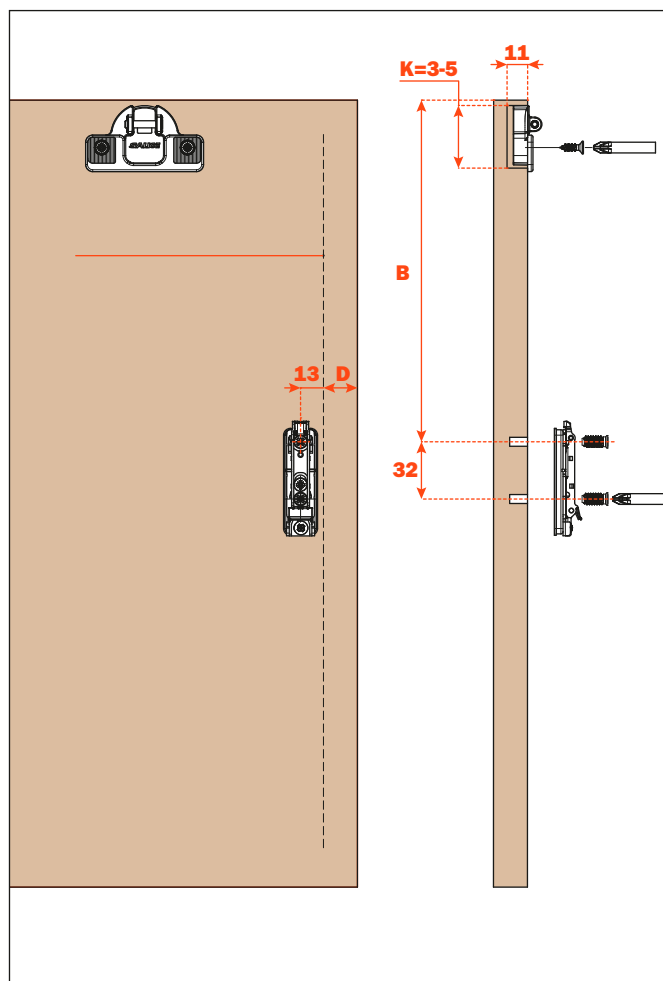
- A** = wood screw fixing, 48x6 mm drilling
- P** = wood screw fixing, 45x9.5 mm drilling
- U** = wood screw fixing, 52x5.5 mm drilling
- B** = dowel fixing, 48x6 mm drilling
- R** = dowel fixing, 45x9.5 mm drilling
- W** = dowel fixing, 52x5.5 mm drilling

**D** = sideways overlay

To determine the **B** value, use the table at page 32.



- 1 - Sideways adjustment  $\pm 1,5$  mm
- 2 - Height adjustment  $\pm 1,5$  mm



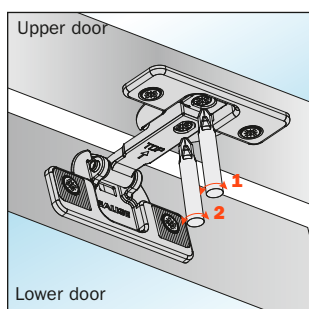
## Drilling pattern for the lower alu-framed door width min. 45 mm.

### Available fixing systems for the hinge cup:

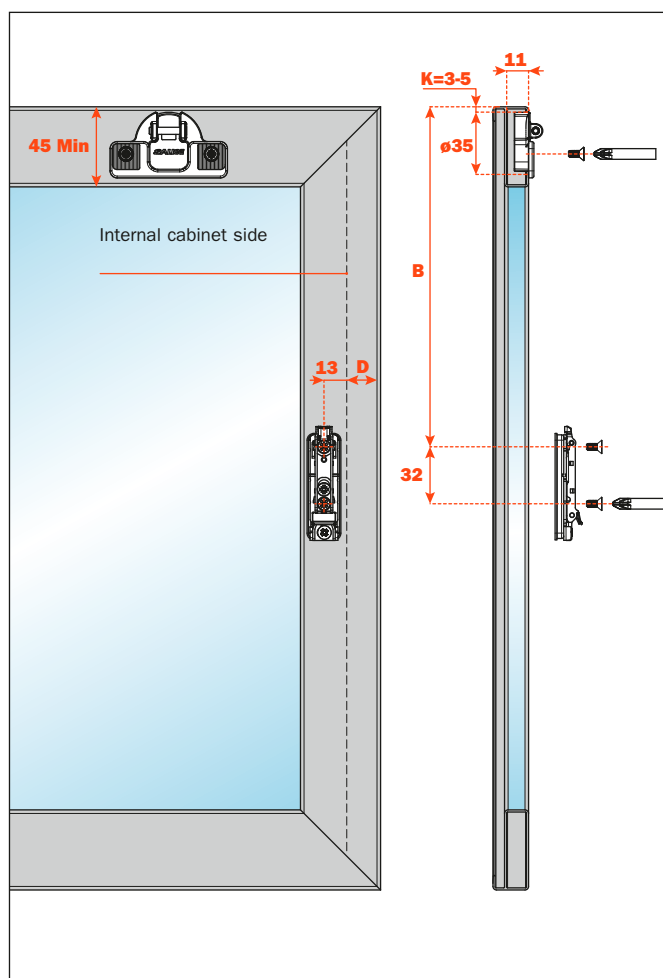
- A** = wood screw fixing, 48x6 mm drilling
- P** = wood screw fixing, 45x9.5 mm drilling
- U** = wood screw fixing, 52x5.5 mm drilling

**D** = sideways overlay

To determine the **B** value, use the table at page 32.

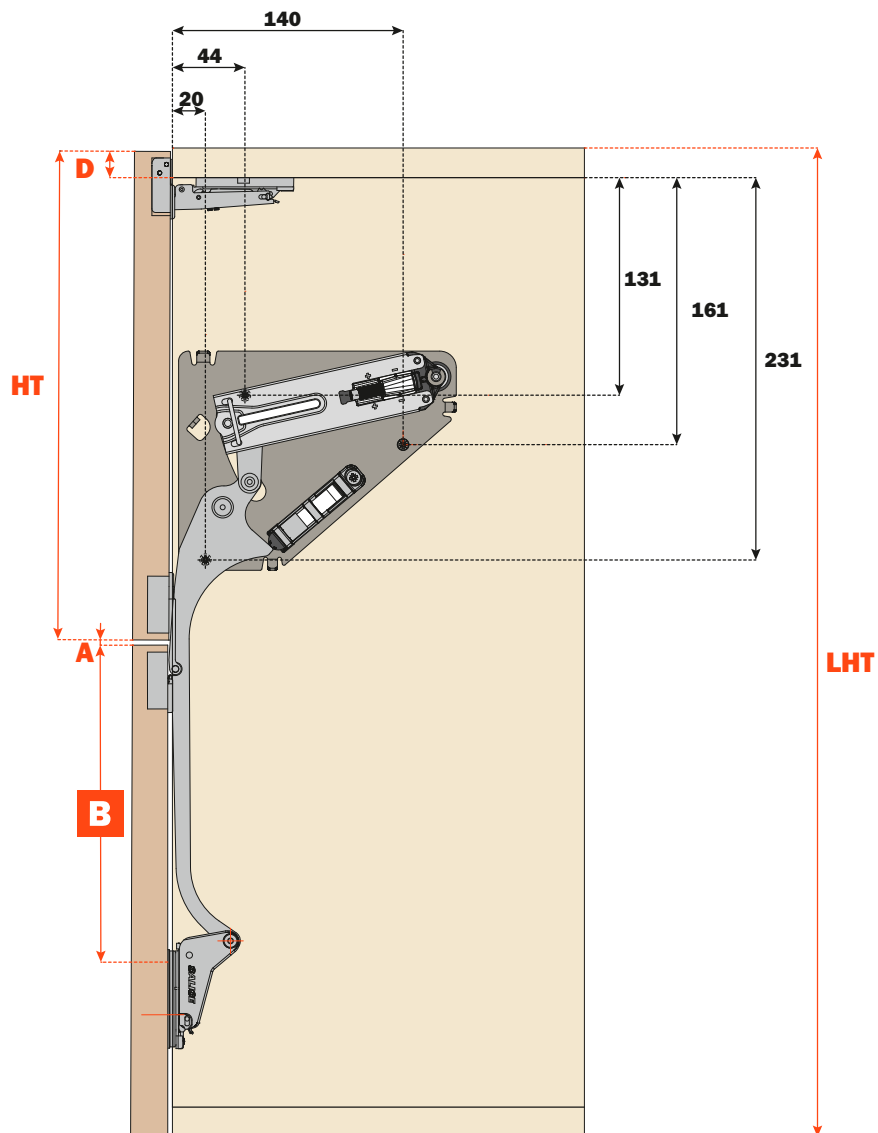


- 1 - Sideways adjustment
- 2 - Height adjustment



# EvoLift - Opening systems - Folding door

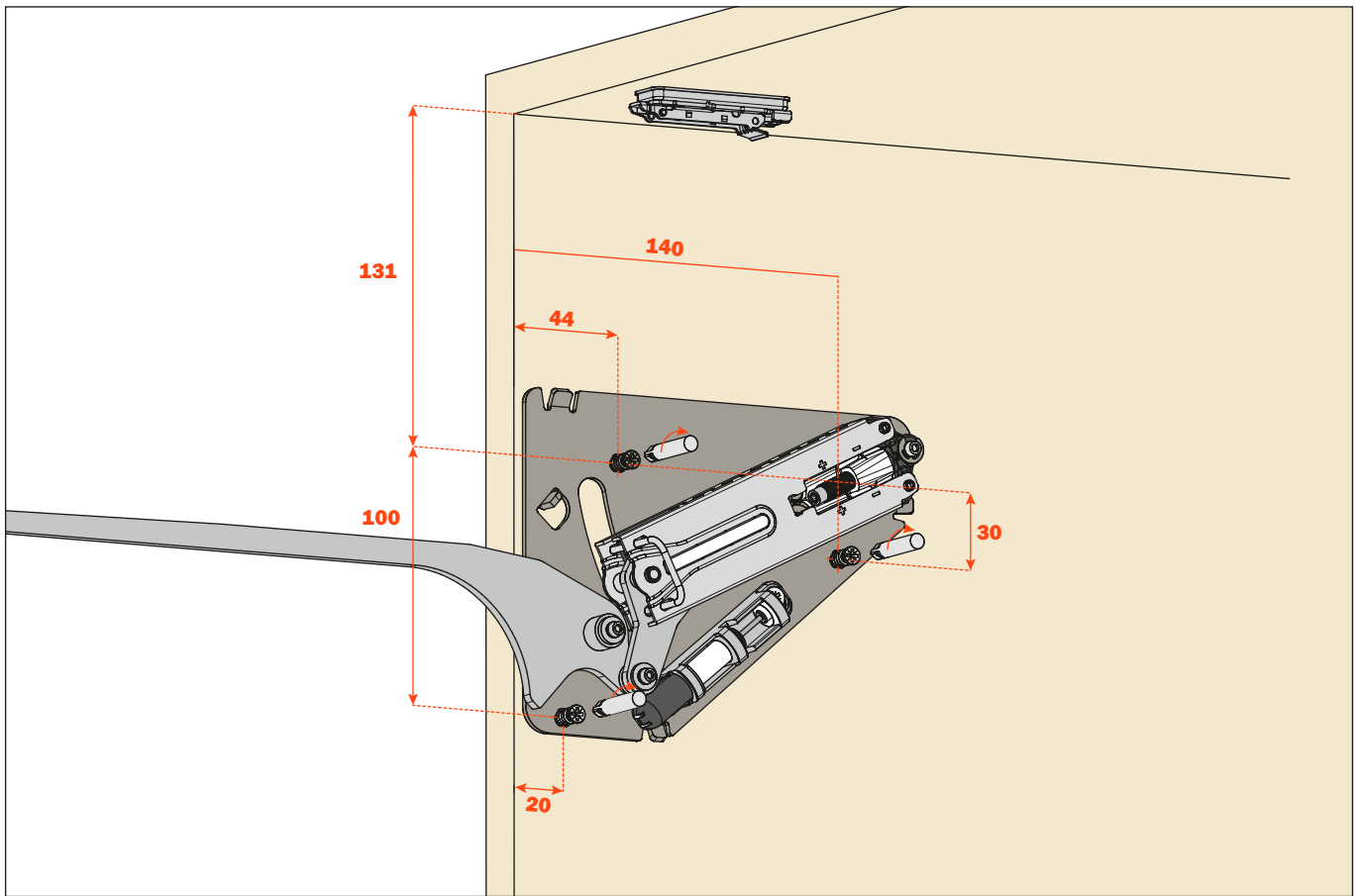
## Assembly instructions



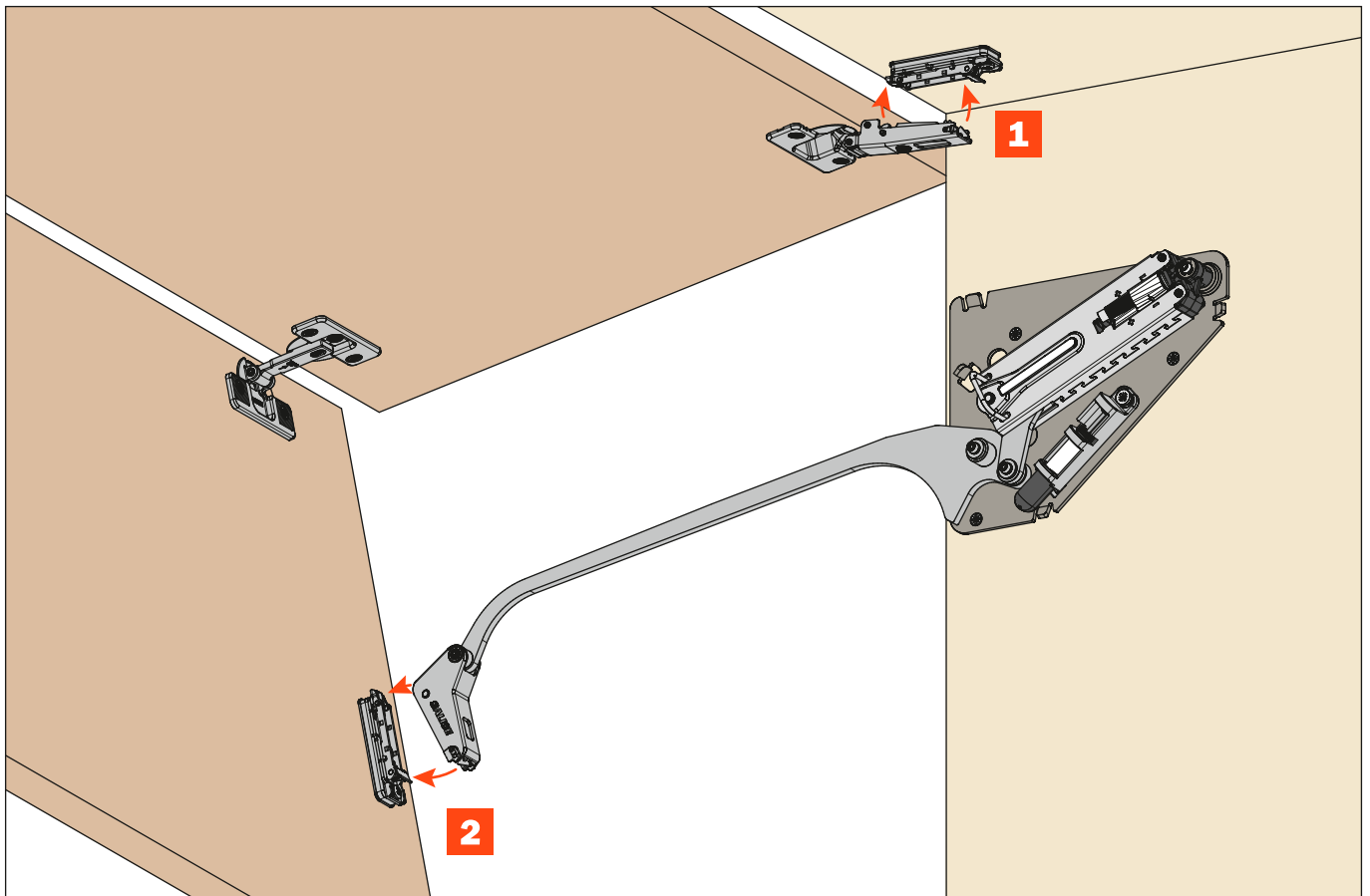
Arm length	LHT Cabinet height	Formula to determine the B value
600	570 ÷ 630	$475 + D - HT - A$
660	631 ÷ 690	$505 + D - HT - A$
720	691 ÷ 750	$535 + D - HT - A$
780	751 ÷ 810	$565 + D - HT - A$
910	881 ÷ 940	$634 + D - HT - A$



### Fixing the system to the cabinet side.



### Fitting the door to the cabinet.

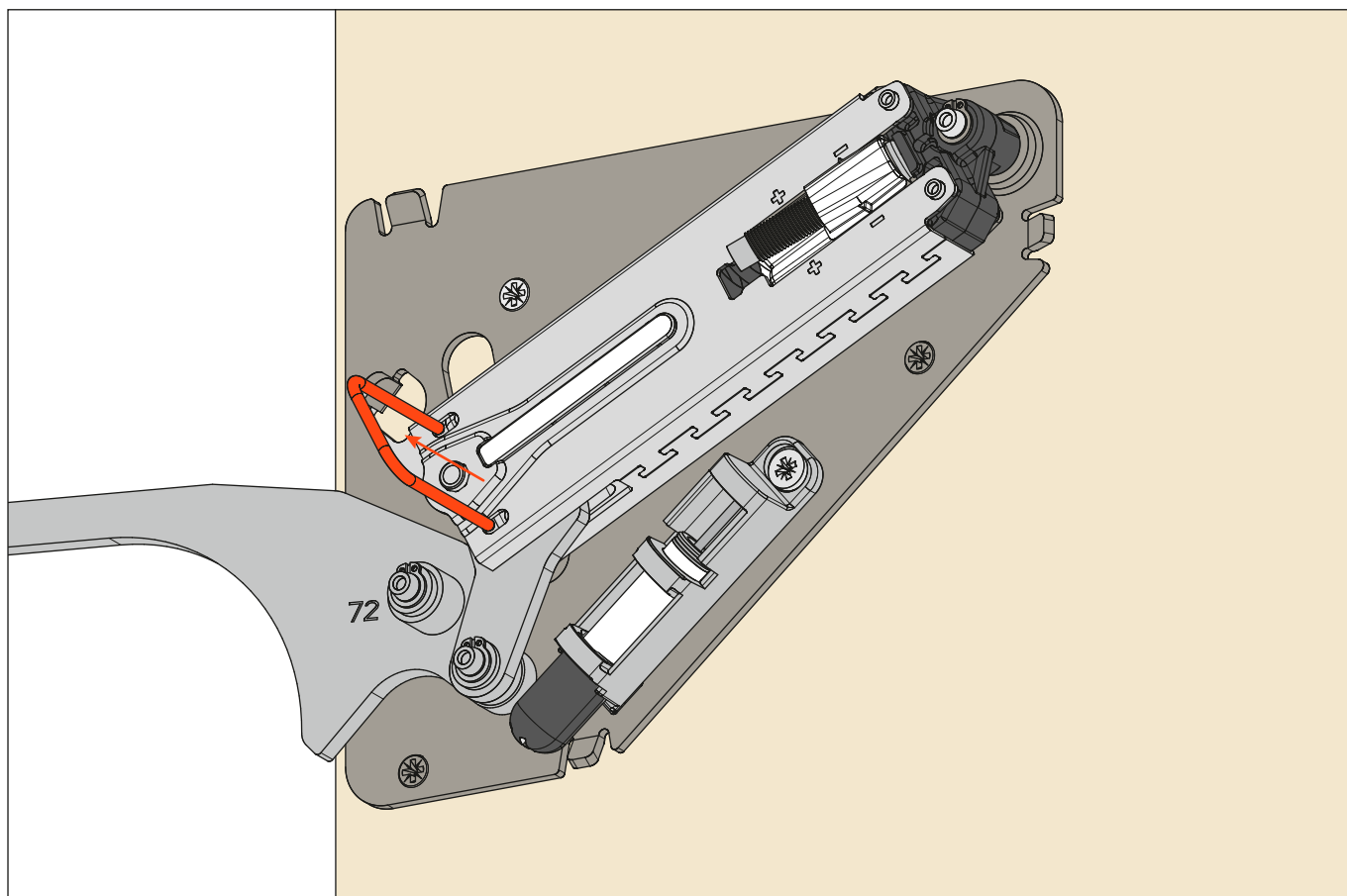


# EvoLift - Opening systems - Folding door

## Assembly instructions

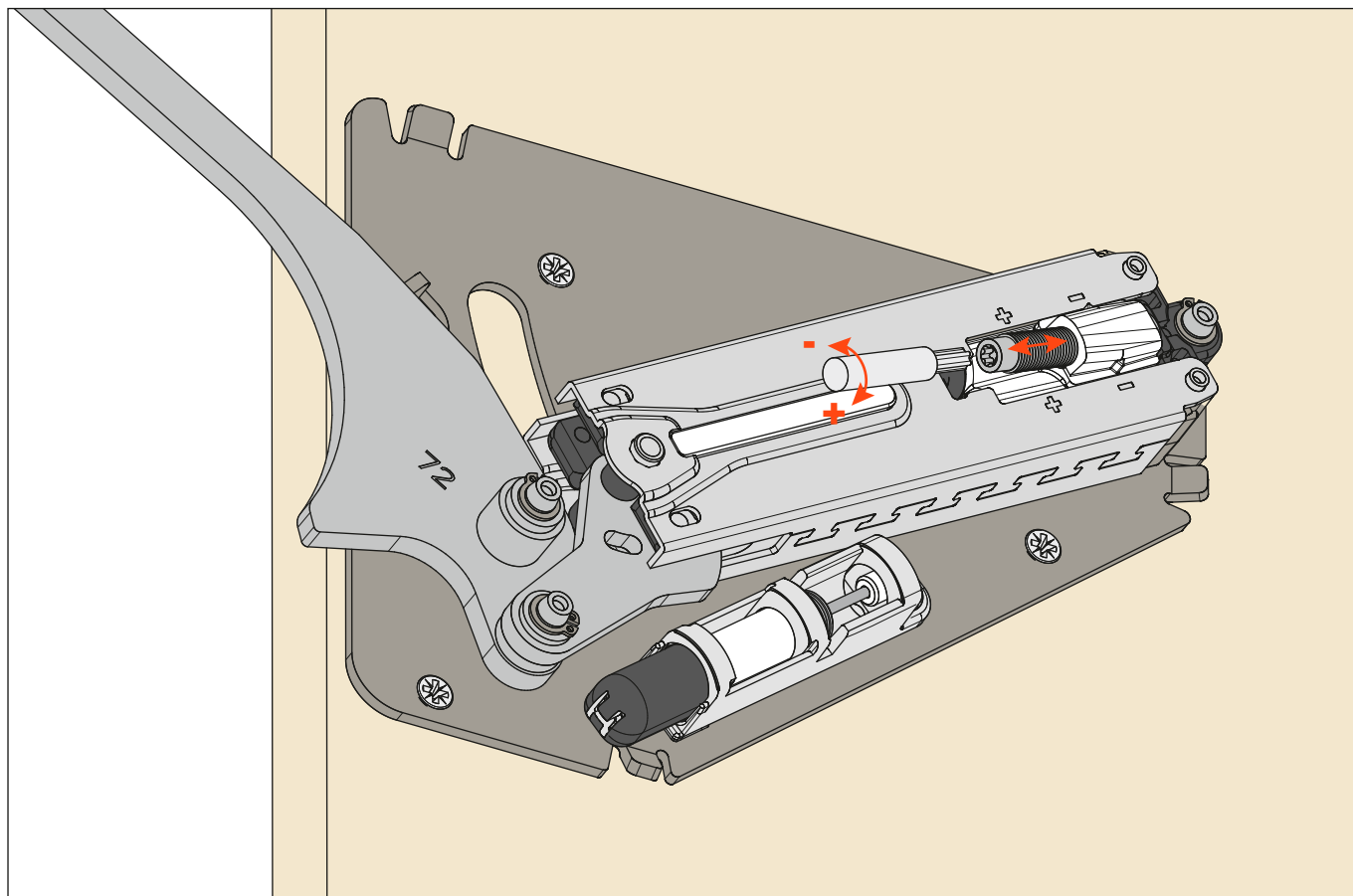
### Withdraw the safety clip.

Lower the door slightly until the safety clip can be easily withdrawn.



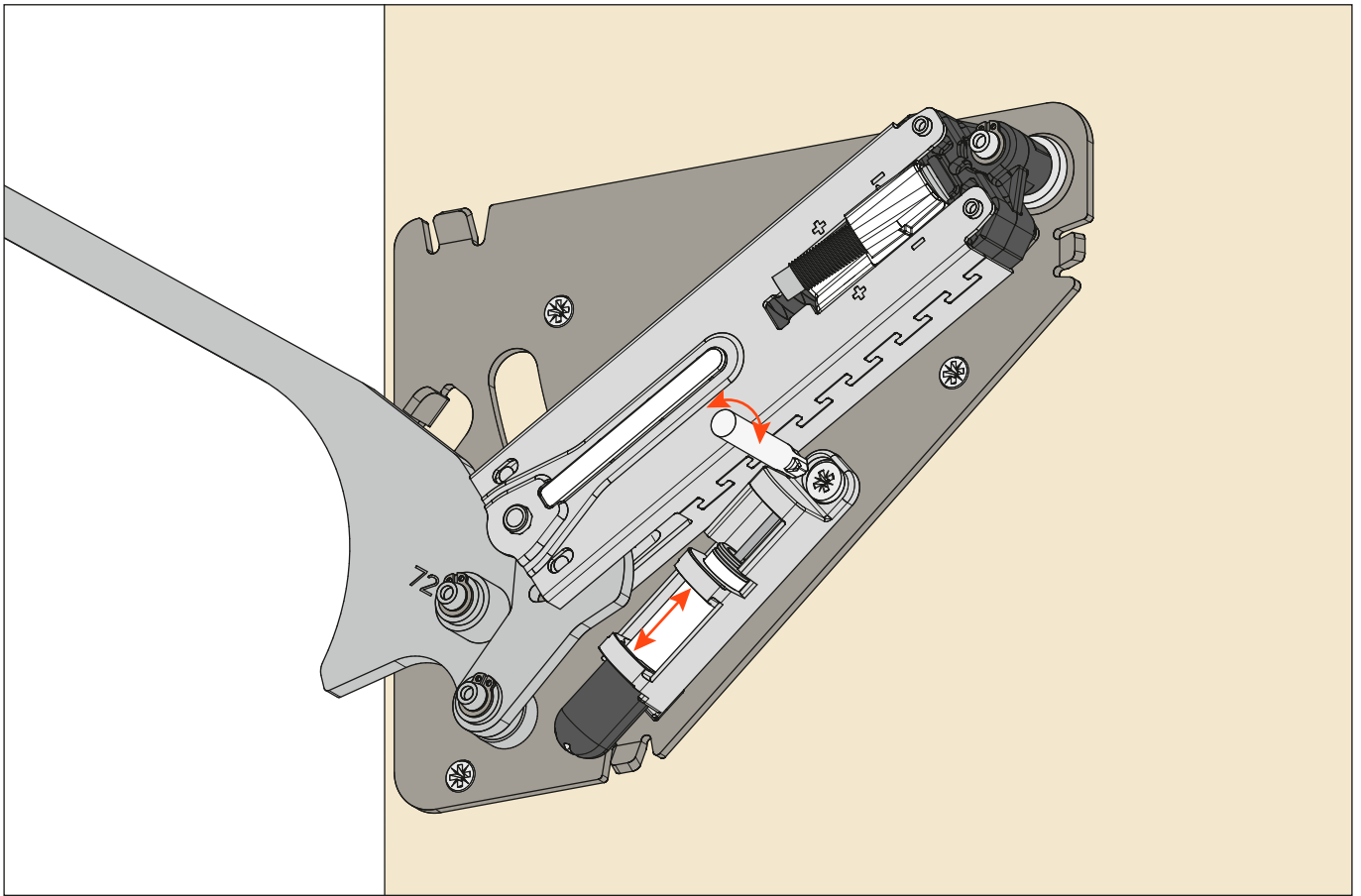
### Adjustment of the system strength.

Use a Torx bit T20.

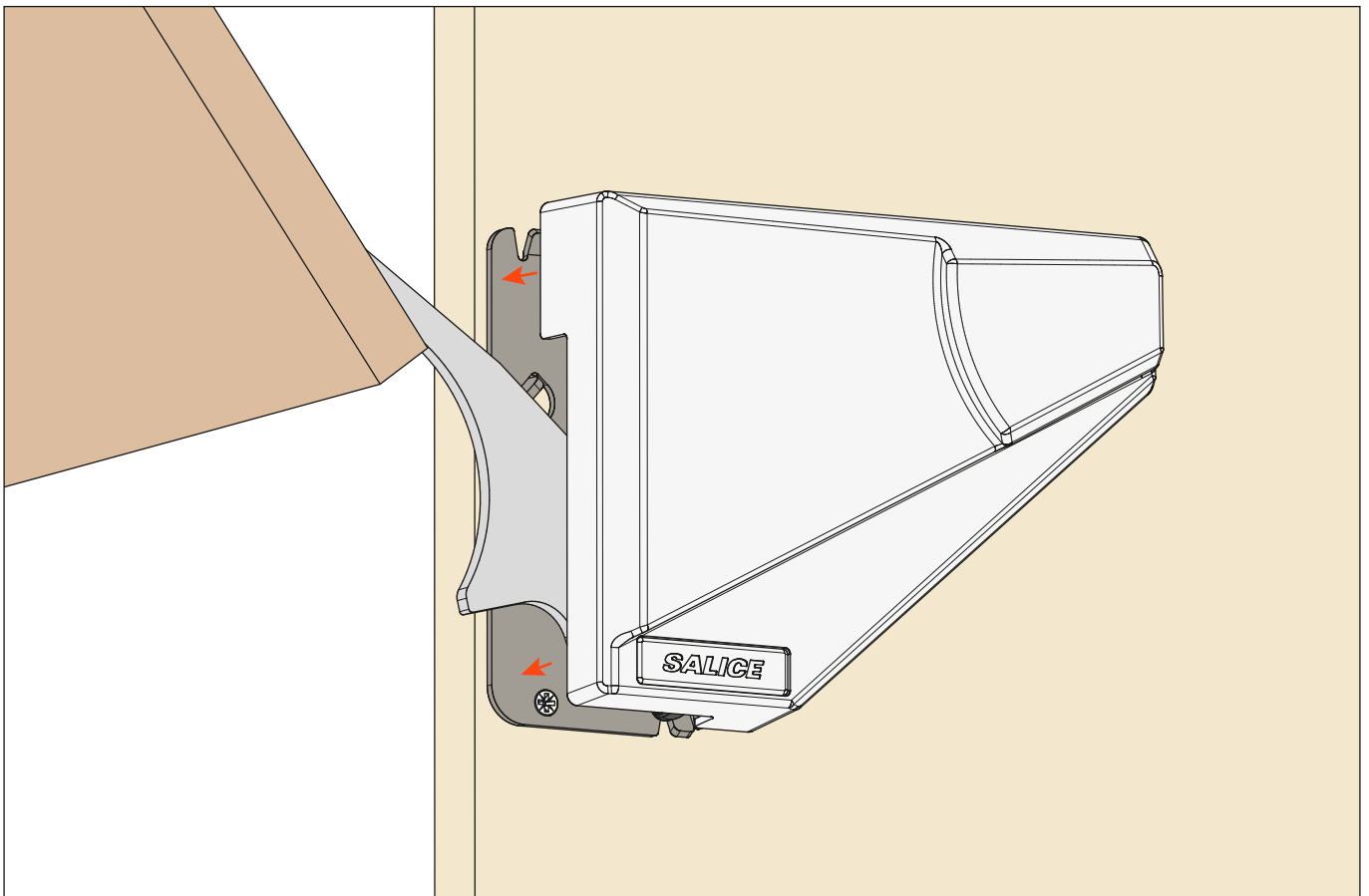




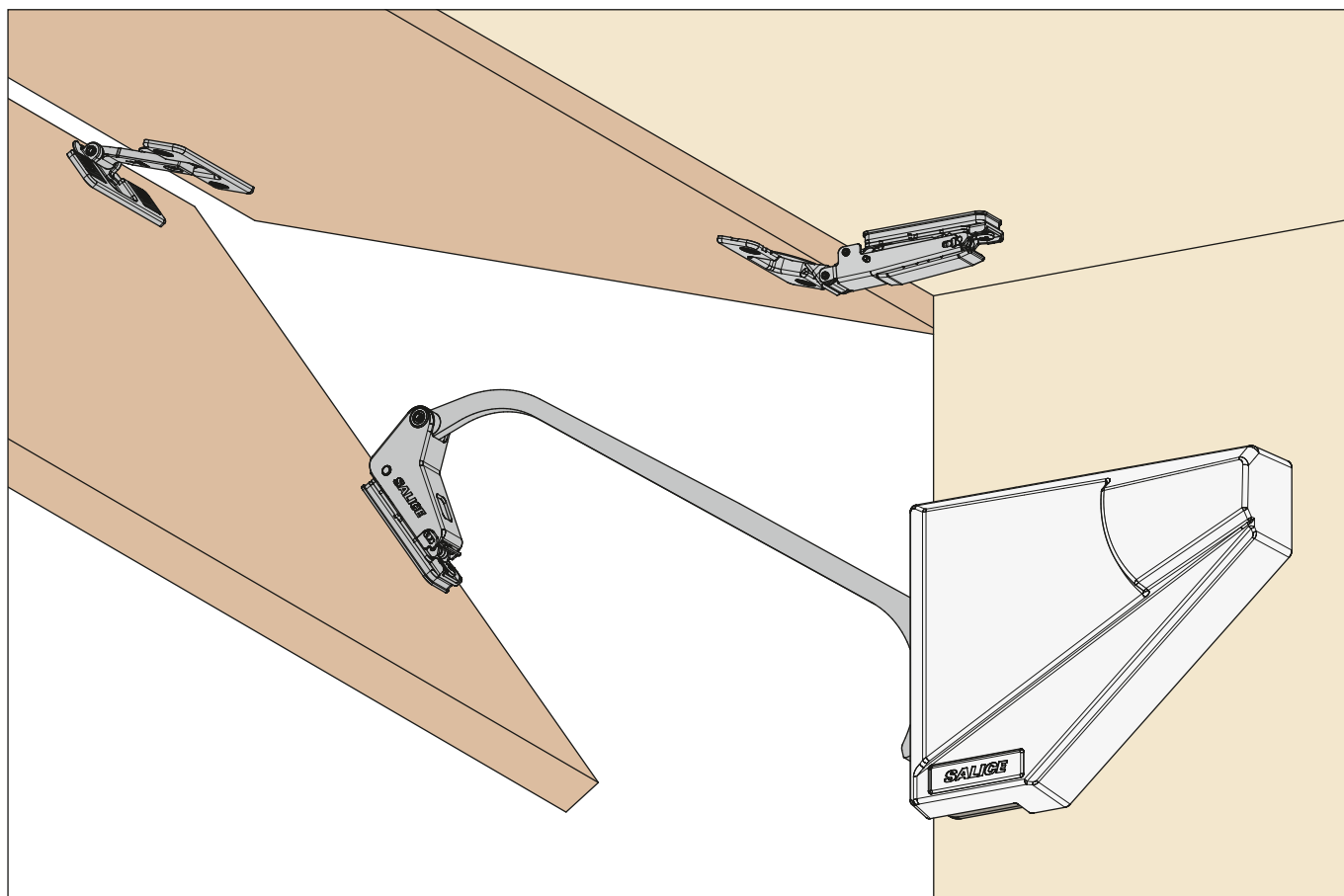
**Adjustment of the decelerating effect.**



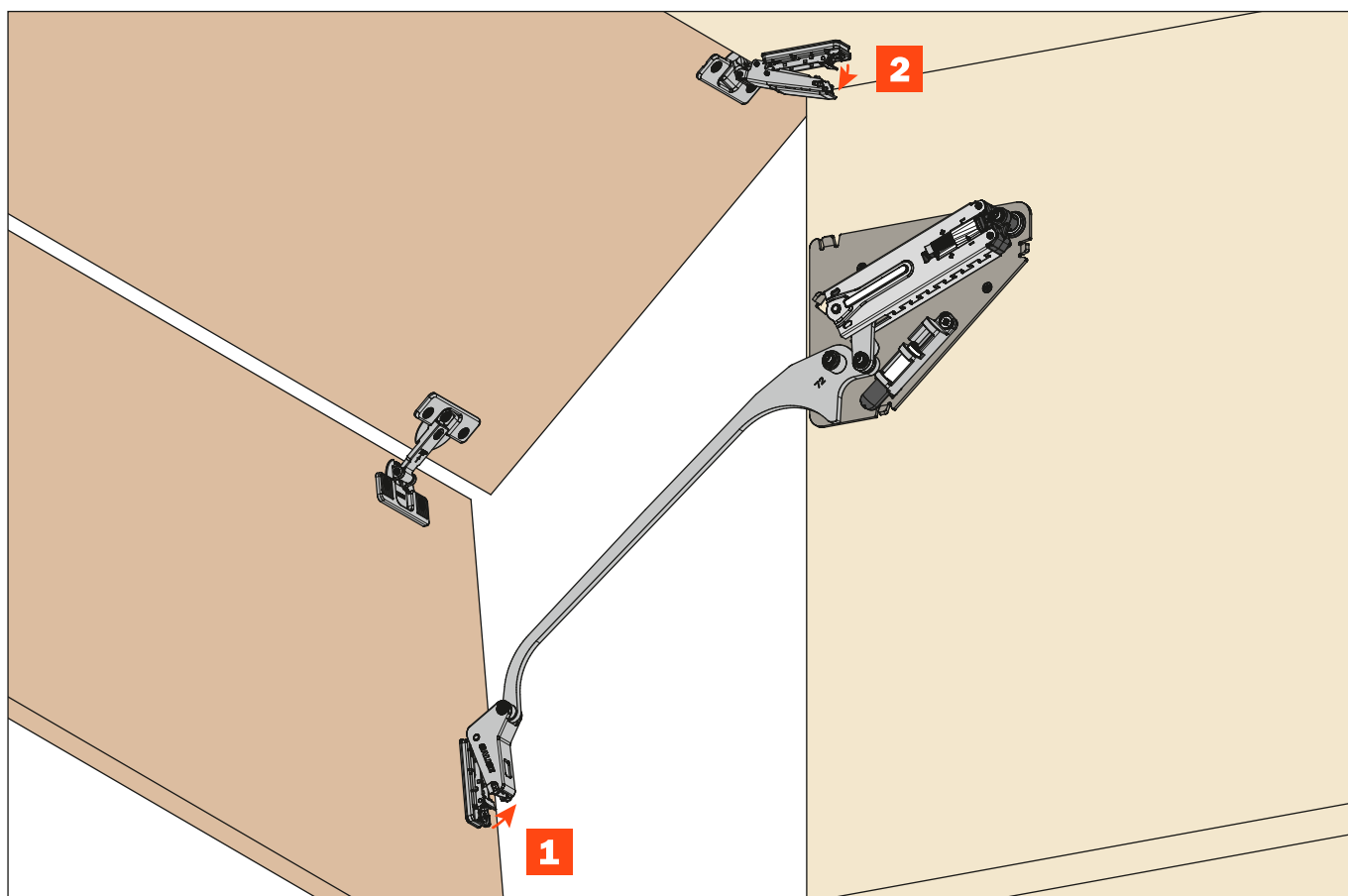
**Installing the cover.**



**View of the mounted system.**

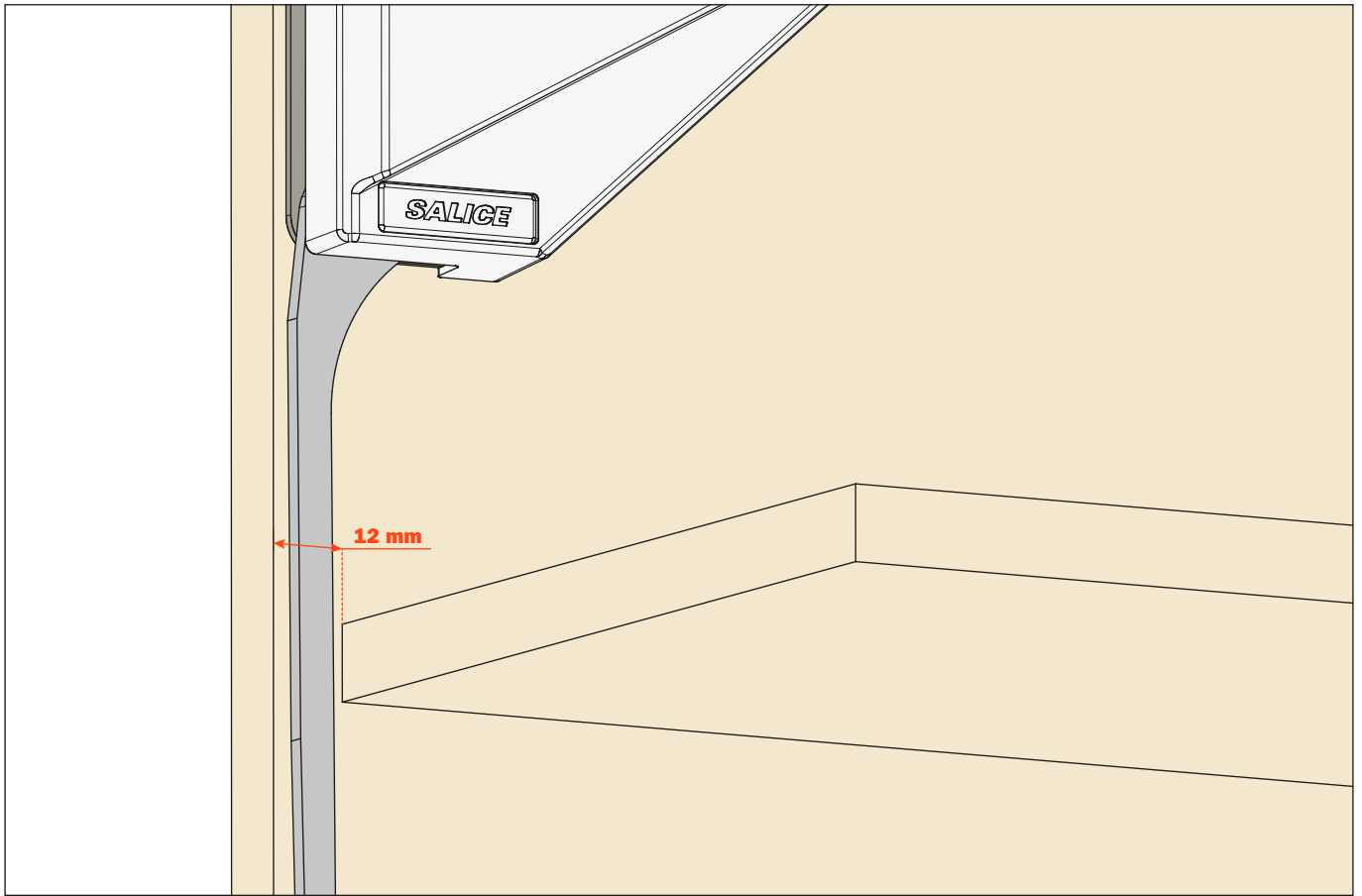


**Removal of the door.**





**Dimension of the arm in the closed position.**



**Dimensions of the system.**

