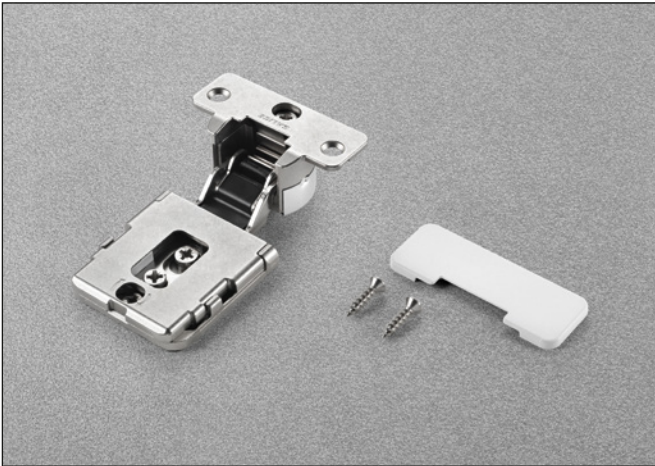


**Conecta • Hinge for wooden doors**

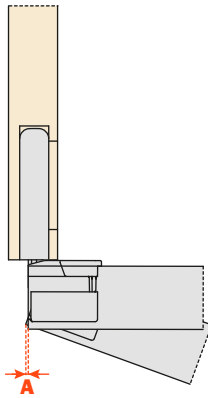


**Technical features**

**Concealed Conecta CQA3KE hinge with recessed insertion in the door and in the side.**

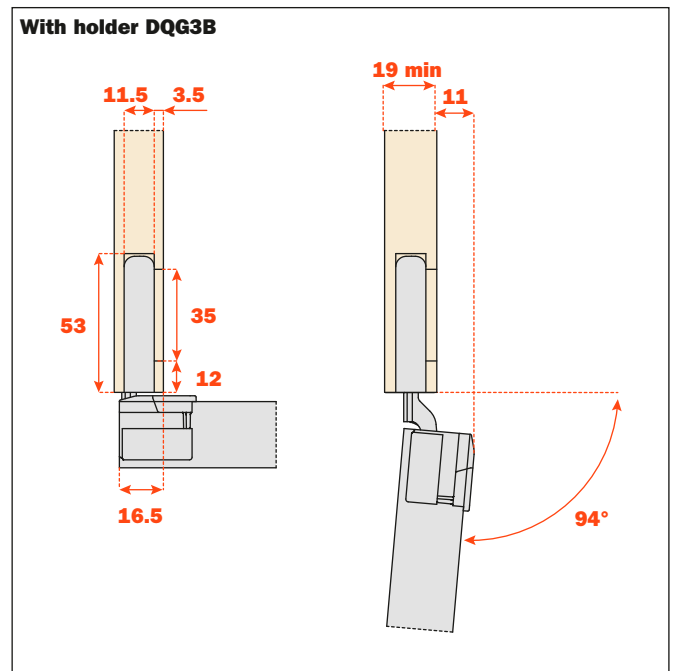
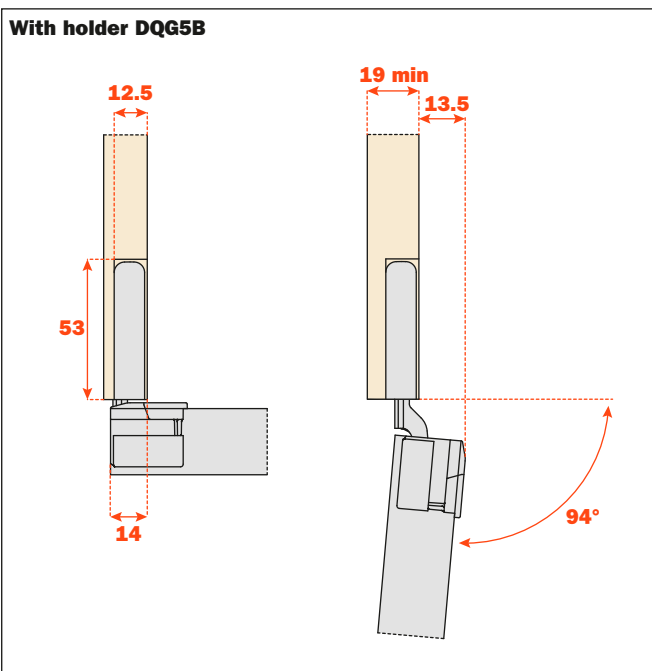
- Rapid fixing of the door to the cabinet side
- 22 mm deep metal cup
- Drilling distance fixed at 10 mm from the edge of the door to the centre of the hole
- Diameter 35 mm
- L = 3,5 mm
- 94° opening

**Space needed to open the door**



T=	25	26	27	28	29	30
A=	2.4	3.1	4.0	4.7	5.5	6.3

**Fixing into the side and projection of the door**



## Workings on door and cabinet

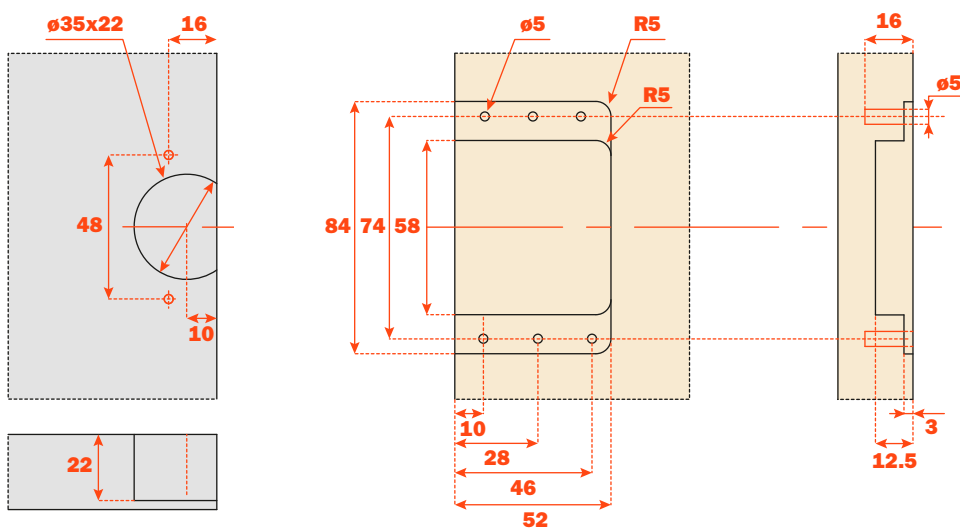
### Holder DQG5B



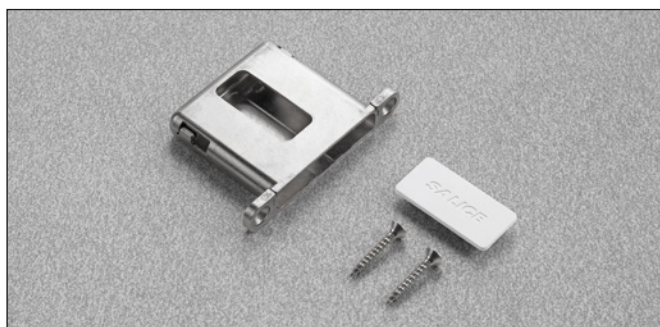
#### - For single door

To be screw-fixed to the cabinet side:

- For single door with Euro screws, drilling  $\varnothing 5 \times 16$  mm
- Fixing screws and cover caps included in the single packing
- Fixing screws included in the industrial packing



### Holder DQG3B



#### - For single door

To be screw-fixed to the cabinet side:

- For single door with screws  $\varnothing 4 \times 25$  mm
- Fixing screws and cover caps included in the single packing
- Fixing screws included in the industrial packing

