

Radius Scupper

Choose Dimensions

- A. _____
- B. _____
- C. _____
- D. _____

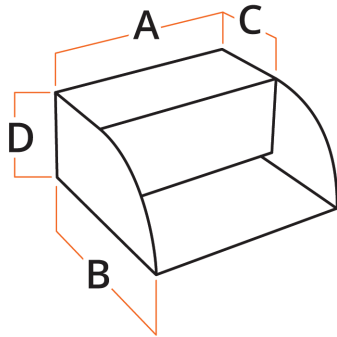
Material

- Patina Copper
- Raw Copper
- Stainless Steel

Inlet Location

- Back Side
- Bottom Side

Quantity: _____



Smooth Flow Radius Scupper

Choose Dimensions

- A. _____
- B. _____
- C. _____
- D. _____

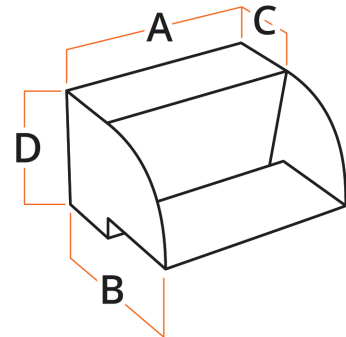
Material

- Patina Copper
- Raw Copper
- Stainless Steel

Inlet Location

- Back Side
- Bottom Side

Quantity: _____



Straight Spillway

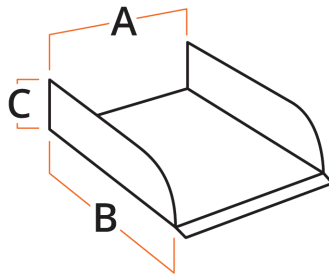
Choose Dimensions

- A. _____
- B. _____
- C. _____

Material

- Patina Copper
- Raw Copper
- Stainless Steel

Quantity: _____



Smooth Flow Scupper

Choose Dimensions

- A. _____
- B. _____
- C. _____
- D. _____
- E. _____
- F. _____

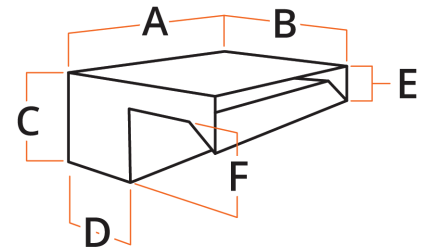
Material

- Patina Copper
- Raw Copper
- Stainless Steel

Inlet Location

- Back Side
- Bottom Side

Quantity: _____



U-Shaped Scupper

Choose Dimensions

- A. _____
- B. _____
- C. _____
- D. _____

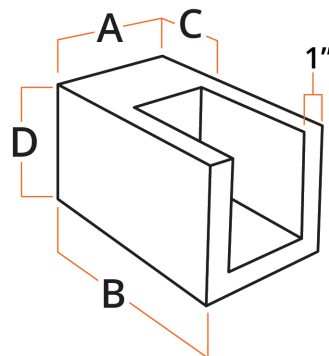
Material

- Patina Copper
- Raw Copper
- Stainless Steel

Inlet Location

- Back Side
- Bottom Side

Quantity: _____



Arch Flow Scupper

Choose Dimensions

- A. _____
- B. _____
- C. _____

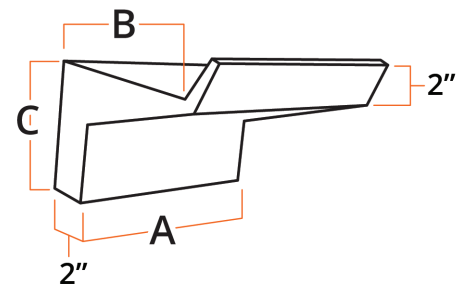
Material

- Patina Copper
- Raw Copper
- Stainless Steel

Inlet Location

- Back Side
- Bottom Side

Quantity: _____



Company _____	Name _____
Job Name _____	Phone _____
Reference # _____	Email _____

Box Scupper

Choose Dimensions

A. _____
B. _____
C. _____

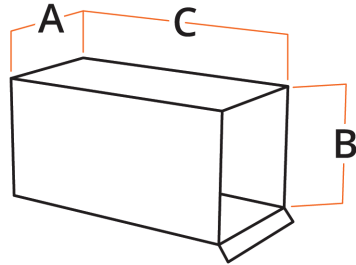
Material

- Patina Copper
- Raw Copper
- Stainless Steel

Inlet Location

- Back Side
- Bottom Side

Quantity: _____



Scoop Style

Choose Dimensions

A. _____
B. _____
C. _____
D. _____

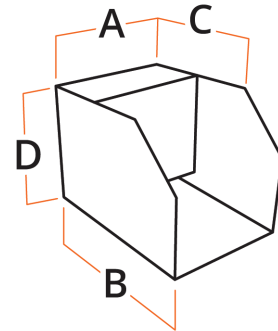
Material

- Patina Copper
- Raw Copper
- Stainless Steel

Inlet Location

- Back Side
- Bottom Side

Quantity: _____



V-Shape Style

Choose Dimensions

A. _____
B. _____
C. _____
D. _____

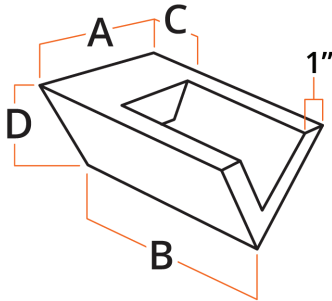
Material

- Patina Copper
- Raw Copper
- Stainless Steel

Inlet Location

- Back Side
- Bottom Side

Quantity: _____



Single V Scupper

Choose Dimensions

A. _____
B. _____
C. _____
D. _____

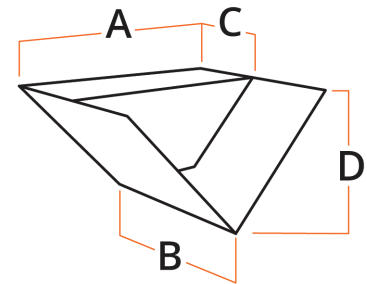
Material

- Patina Copper
- Raw Copper
- Stainless Steel

Inlet Location

- Back Side
- Bottom Side

Quantity: _____



Rain Fall Scupper

Choose Dimensions

A. _____
B. _____
C. _____

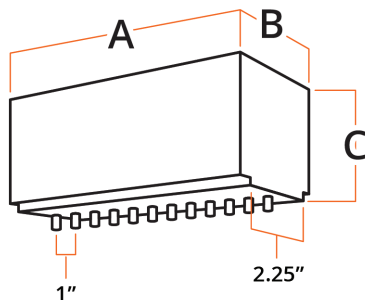
Material

- Patina Copper
- Raw Copper
- Stainless Steel

Inlet Location

- Short Side
- Long Side

Quantity: _____



Cannon Scupper

Choose Dimensions

A. _____ D. _____
B. _____ E. 2" □ 3" □
C. _____

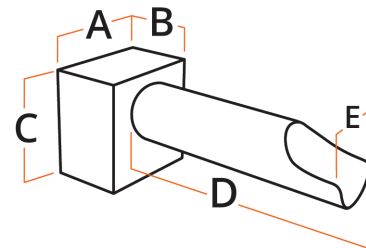
Material

- Patina Copper
- Raw Copper
- Stainless Steel

Inlet Location

- Back Side
- Bottom Side

Quantity: _____



Company	Name
Job Name	Phone
Reference #	Email

Angled Mini Scupper

Choose Dimensions

A. _____
 B. _____
 C. _____
 D. _____

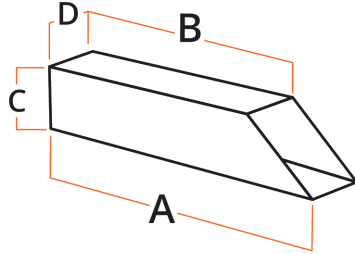
Material

- Patina Copper
- Raw Copper
- Stainless Steel

Inlet Type

- Threaded
- Open (Unthreaded)

Quantity: _____



Boxed Mini Scupper

Choose Dimensions

A. _____
 B. _____
 C. _____

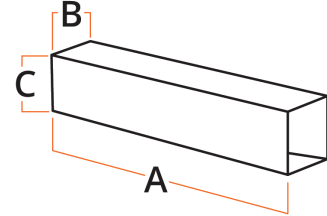
Material

- Patina Copper
- Raw Copper
- Stainless Steel

Inlet Type

- Threaded
- Open (Unthreaded)

Quantity: _____



Cannon Mini Scupper

Choose Dimensions

A. _____
 B. _____

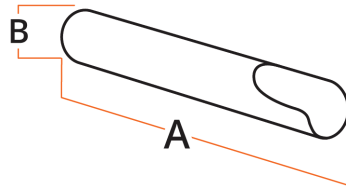
Material

- Patina Copper
- Raw Copper
- Stainless Steel

Inlet Type

- Threaded
- Open (Unthreaded)

Quantity: _____



Chamfered Mini Scupper

Choose Dimensions

A. _____
 B. _____
 C. _____
 D. _____

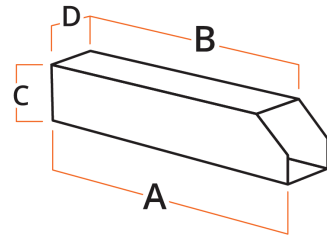
Material

- Patina Copper
- Raw Copper
- Stainless Steel

Inlet Type

- Threaded
- Open (Unthreaded)

Quantity: _____



Scalloped Mini Scupper

Choose Dimensions

A. _____
 B. _____
 C. _____
 D. _____

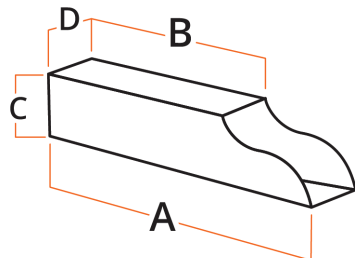
Material

- Patina Copper
- Raw Copper
- Stainless Steel

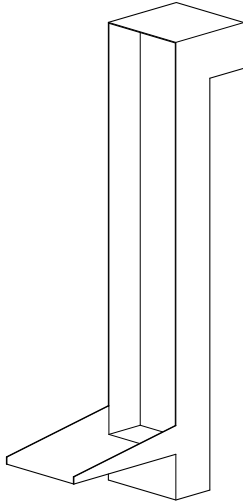
Inlet Type

- Threaded
- Open (Unthreaded)

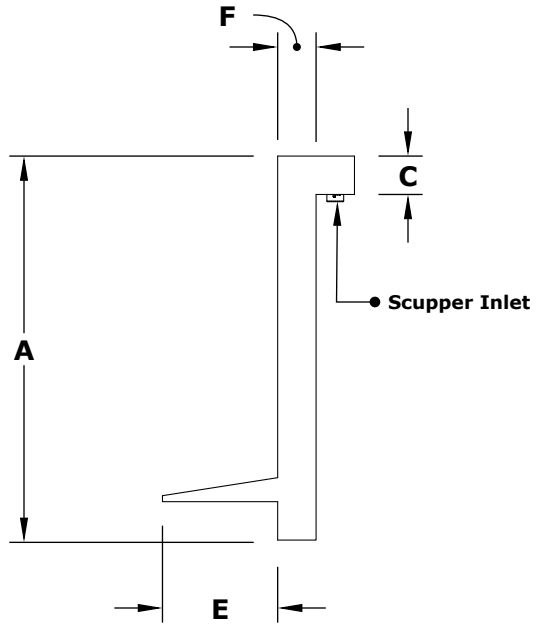
Quantity: _____



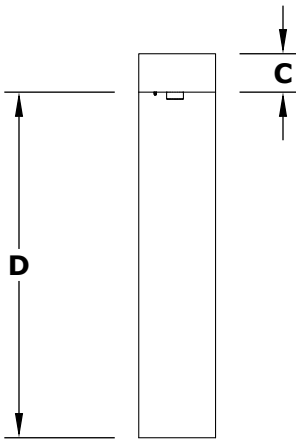
ALTISIMO WALL SCUPPER - CUSTOM FORM



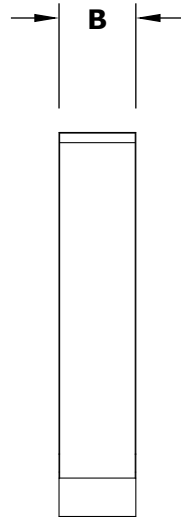
ISOMETRIC VIEW



SIDE VIEW



BACK SIDE VIEW



FRONT SIDE VIEW

- A:
- B:
- C:
- D:
- E:
- F:

Material

- Patina Copper
- Raw Copper
- Stainless Steel

Inlet Type

- Threaded
- Open (Unthreaded)

Quantity: