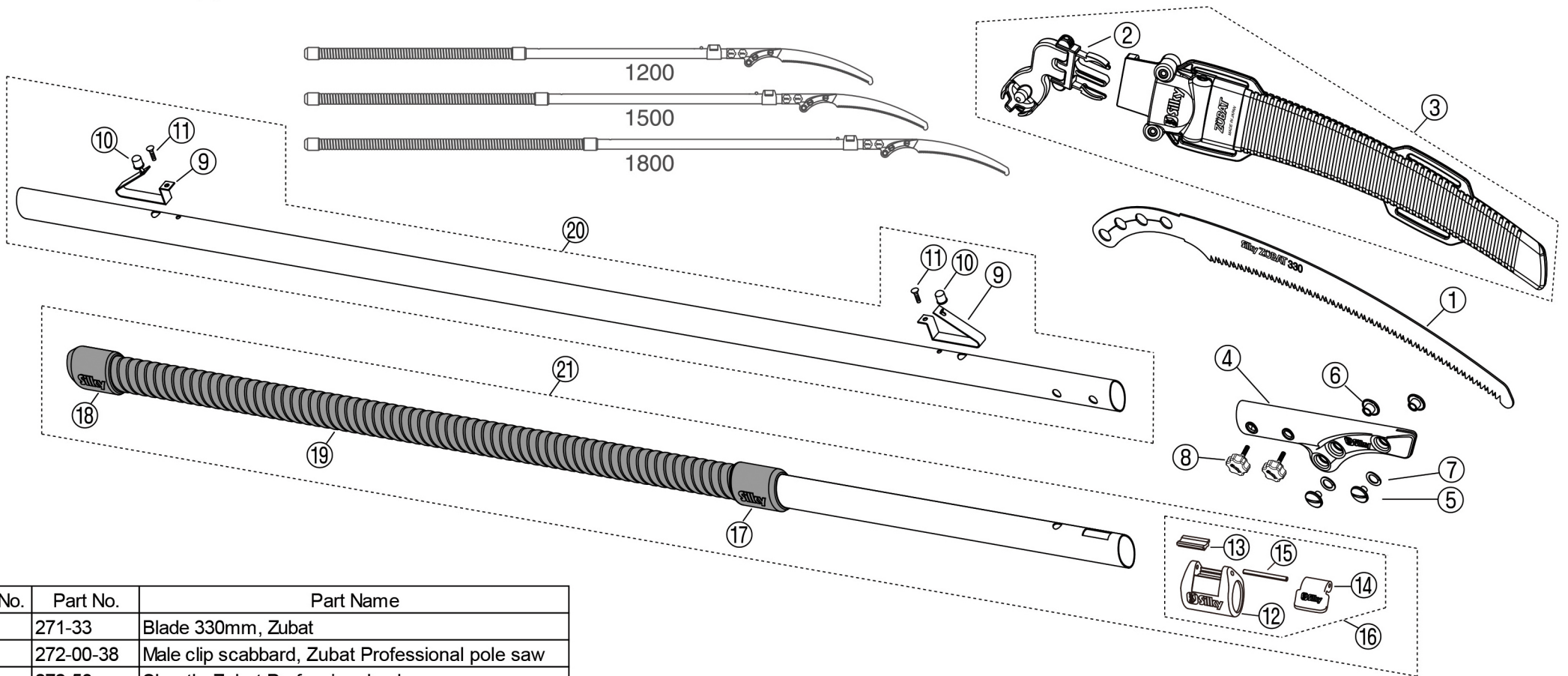


# Silky ZÜBAT POLE SAW

2017.03.16



Ref. No.	Part No.	Part Name
1	271-33	Blade 330mm, Zubat
2	272-00-38	Male clip scabbard, Zubat Professional pole saw
3	272-53	Sheath, Zubat Professional pole saw
4	272-00-51	Blade fixing pipe
5	102-04-46	Screw (black, metal)
6	102-04-47	Nut (black, metal)
7	121-04-33	Washer
8	272-04-32	Bolt, Zubat pole saw
9	272-04-05	Stopper button spring, Longboy, Zubat pole saw
10	365-04-38	Stopper button, Longboy
11	370-04-77	Spring fixing bolt
12	234-04-05	Shaking-proof, cover
13	234-04-06	Shaking-proof, spacer
14	177-04-74	Shaking proof, lever (new)
15	177-04-78	Shaking-proof, rod pin
16	234-39-51	Shaking proof stopper set

Ref. No.	Part No.	Part Name
17	272-04-02	Rubber sleeve
18	272-04-03	Rubber sole
19	272-04-04	Rubber grip tape
	272-00-22	Pole (S) 2700, Zubat 1200
20	272-00-25	Pole (S) 3300, Zubat 1500
	272-00-28	Pole (S) 3900, Zubat 1800
	272-00-23	Pole (L) 2700, Zubat 1200
21	272-00-26	Pole (L) 3300, Zubat 1500
	272-00-29	Pole (L) 3900, Zubat 1800
5,6,7	272-01	Screw set (black, metal)