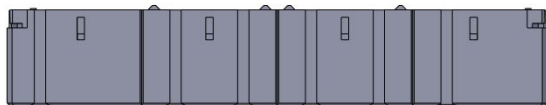


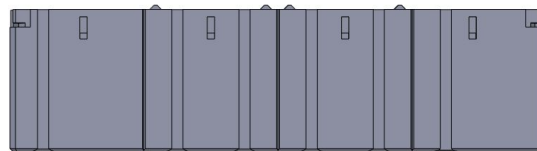
## Drawer Sizes Comparison

## Drawer Sizes

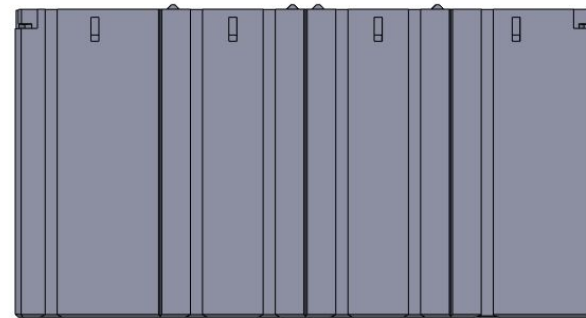
Drawer are available in three sizes : Size A (Smallest), Size B (Medium), Size C (High)



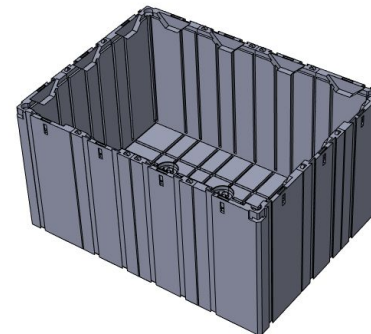
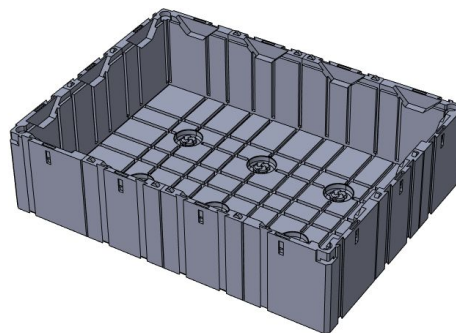
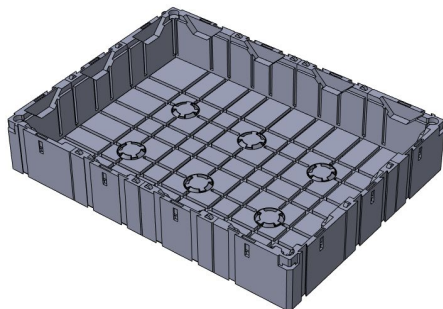
Size A (Smallest)



Size B (Medium)

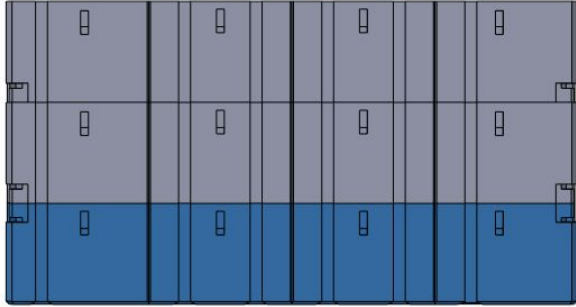


Size C (High)

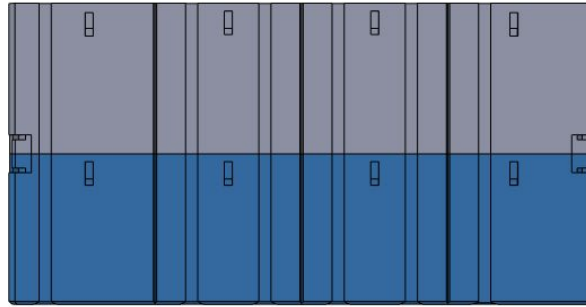
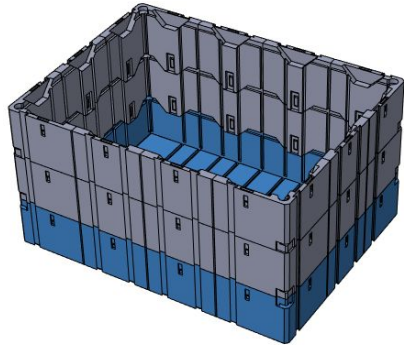


## Drawer Sizes

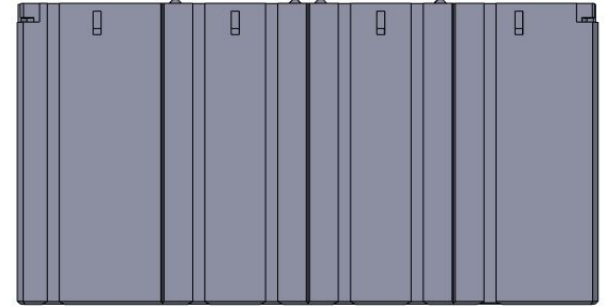
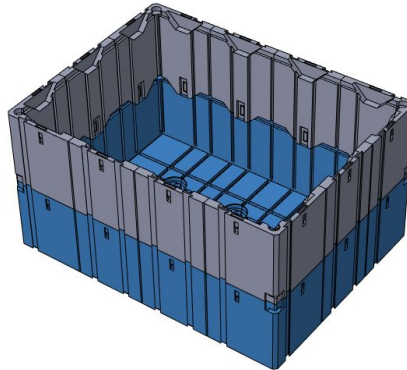
Further ahead, Extension Pieces can be added to extend the Drawers ( Just Size A and Size B, No Extension for Drawer C)



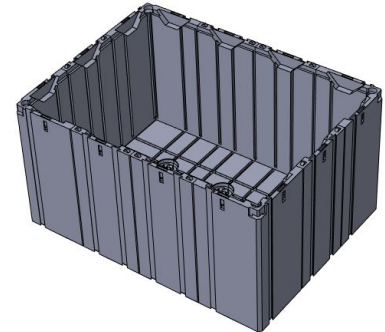
Size A (Smallest) with 2 Extension



Size B (Medium) with 1 Extension



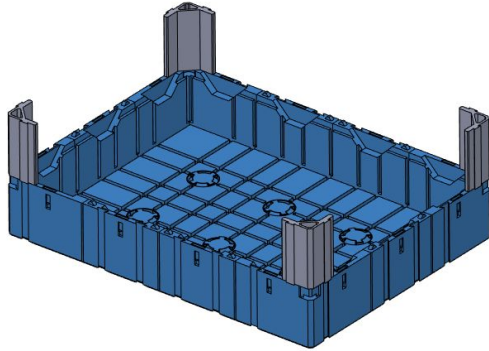
Size C (High)



# Drawer Sizes

For the Drawer A, Spacer pieces can be added if we want to skip any level of the drawer or if we would like to use less drawers than the total depth.

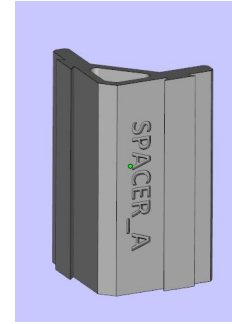
Size A (Smallest) with Drawer Spacer



Choose the right  
spacer based on  
the type of case

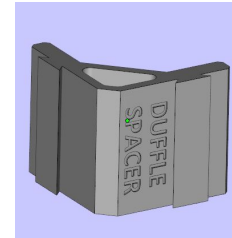


Drawer A Spacer



Suitable for  
Briefcase and  
Chest

Drawer A  
Spacer\_Duffel



Suitable for Duffel  
bag