



[www.wilcoimaging.com](http://www.wilcoimaging.com)  
858.689.9050  
3380 Industrial Blvd. Suite 103  
Sacramento, CA 95691

# CUSTOM PROJECTS & SERVICES

At Wilco, A Lore+ Technology Company, we offer a variety of customization and specialized services to fit unique application requirements to suit client's varied and precise needs. Since 2003 we have been customizing imaging components, designing exceptional products, and delivering the very best in imaging technology. A few of our custom projects and services are listed in the following pages. Please [contact us](#) for additional information or further inquiry.



# Hoist Camera Build

*Industry: Aviation Technology*

Objective: Build a custom camera system to attach to helicopters.

- ↳ Built custom pressurized enclosure.
- ↳ Designed a complete ruggedized system.
- ↳ Built and designed custom cables for system.

# Image Dewarping

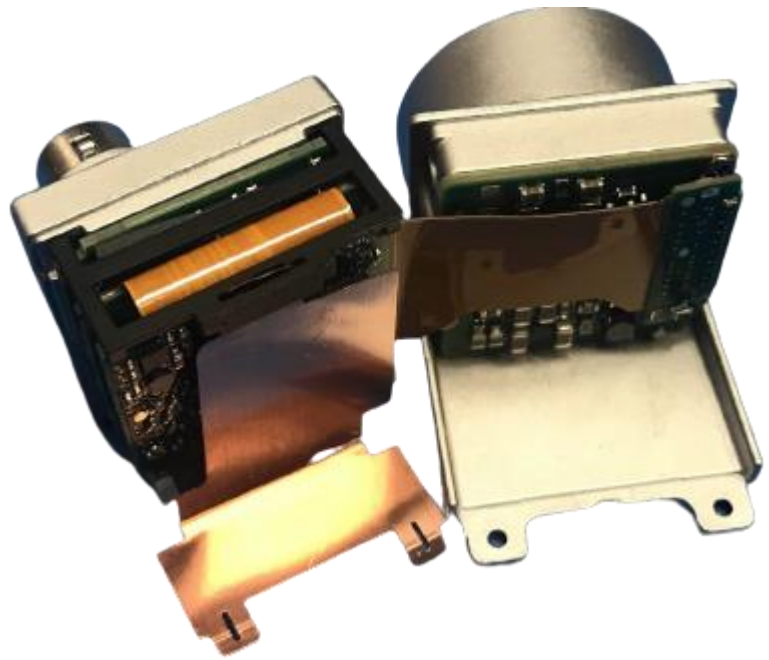


*Industry: Pharmaceutical*

## Objective:

to have a python script perform post-processing dewarping of images captured for Vials and PPE. Faster and smoother process than having a user/person manually do it.

- Images of Vial and PPE objects at close range, ~40 inches.
- Original image would be warped (fish eye lens)
- Code Python script that would get the original image dewarped (flat).



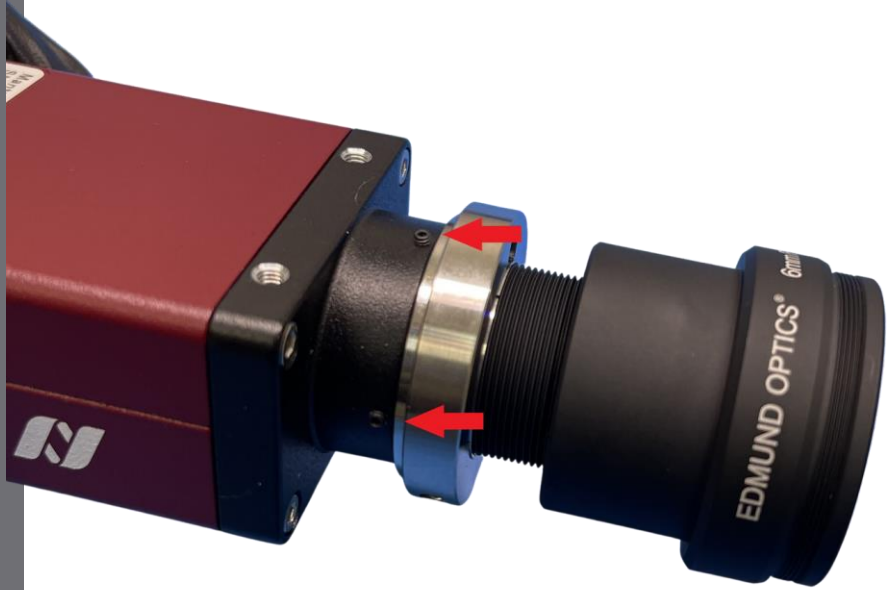
# Turnkey System

*Industry: Semiconductor Manufacturing*

*Objective: Fix camera overheating issue. Camera operates at high FPS in a chemical analysis lab.*

- ↳ Relocated heatsink and designed custom enclosure to absorb the temperature from the camera board.
- ↳ Design and build custom enclosure based on customer's specific environment.

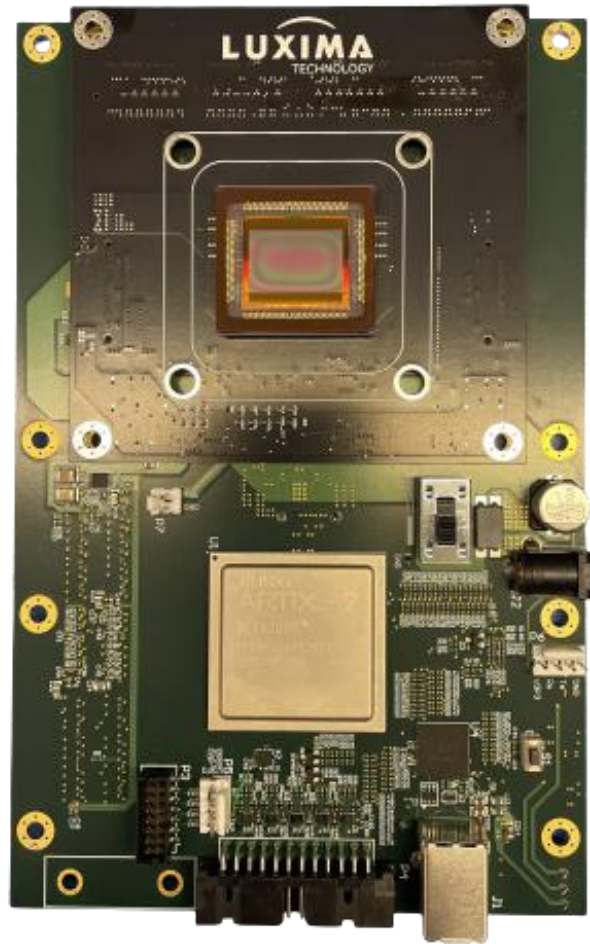
# Calibration & Ruggedization



*Industry: Agriculture*

Objective: complete a camera/lens system that is 'out of the box' ready to mount/use and eliminate calibration time for the user.

- Calibrate Allied Vision camera with Edmund Optics lens.  
→ Set focus distance at a specified distance per application requirement.
- Capture images to validate sharpness at that specific distance.  
→ Set locking screws on the camera to avoid the lens becoming loose after use.



# Defect Inspection

*Industry: Automation Inspection*

Objective: Provide process of defect inspection, testing for defective pixels within the required sensor range. To be done prior to installation of the texturized window.

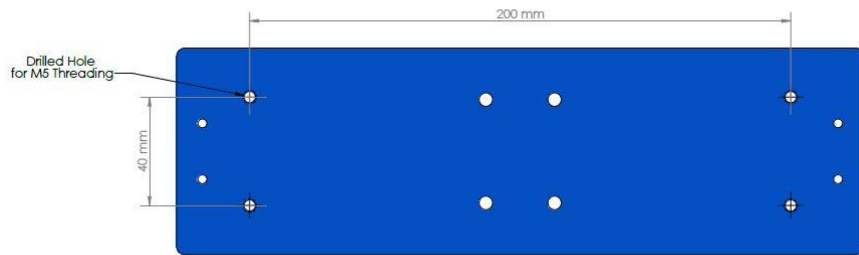
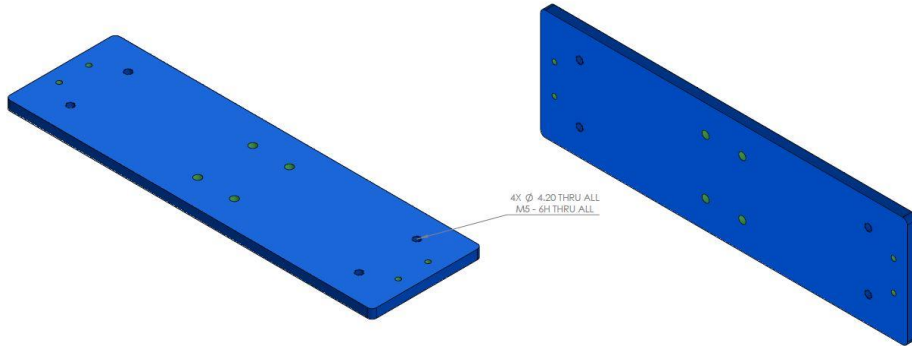
- ↳ Sensor glass removal.
- ↳ Install sensor glass substrate
- ↳ Redesign enclosure for board-level camera/ build an enclosure.
- ↳ Final packaging & testing.

# Mount Customization

*Industry:* Food Quality / Pharmaceutical

**Objective:** Create a custom solution for the application needs of mounting the light/camera system over assembly lines for food quality control. Mounts to be adjustable/pivotable.

- Design custom mount for customer application.
- Provide revisions to the customer for final drawing and design approval.
- Drill/thread holes on mounts to bolt in ball knuckles for lights.

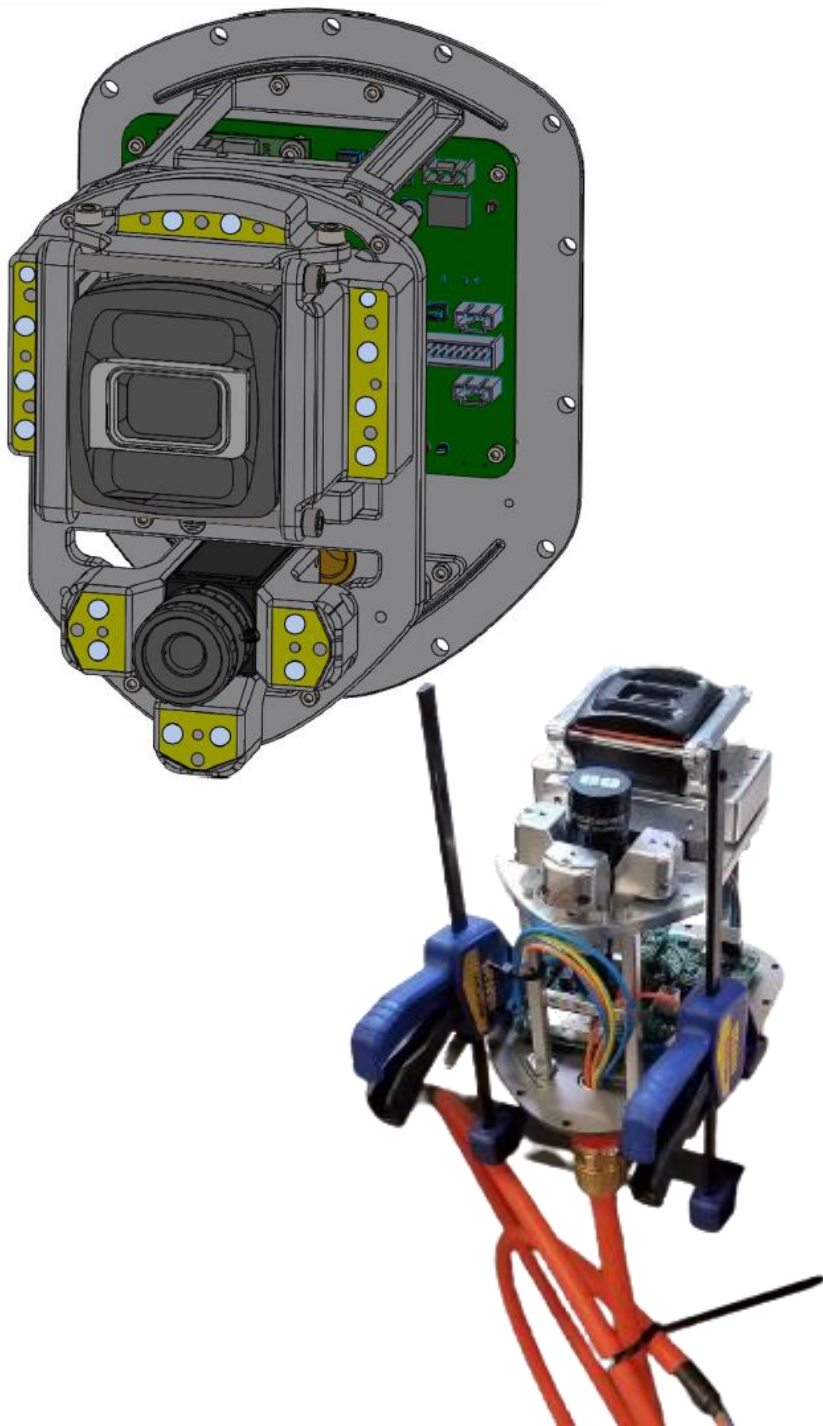


# Temperature Detection & Security

*Industry: Ocean Robotics*

Objective: Custom build camera system to be mounted on an offshore oil rig.

- ↳ Fiber cable design
- ↳ Explosion-proof enclosure design
- ↳ Testing
- ↳ Programming
- ↳ Design of PCB Board





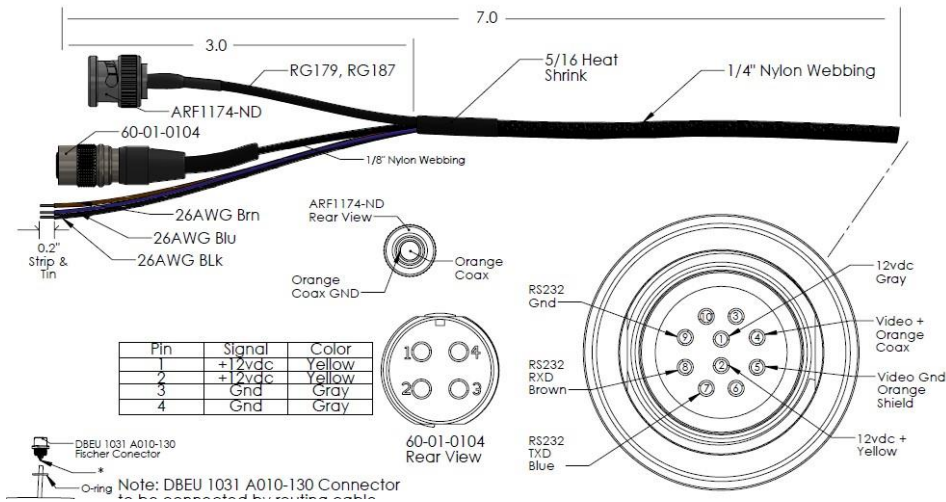


# Custom Cable Build

*Industry: Various*

Objective: Custom cable building, or modification for varied application designs and requirements.

- Verify end-to-end connector compatibility
- GPIO custom length connectors
- Intercon 1 custom connectors for different applications
- Marine sealed cables
- Use RoHS Lead-free soldering





[www.wilcoimaging.com](http://www.wilcoimaging.com)  
858.689.9050  
3380 Industrial Blvd. Suite 103  
Sacramento, CA 95691

# Ask how we can help.

Our services are not limited to the select few highlighted here as samples. Our technicians have worked with a variety of applications and a wide range of challenging environments. If you are looking for a custom solution, chances are, we can help! Just send us a general outline and your application details, and we'll get started on the ideal solution for you!