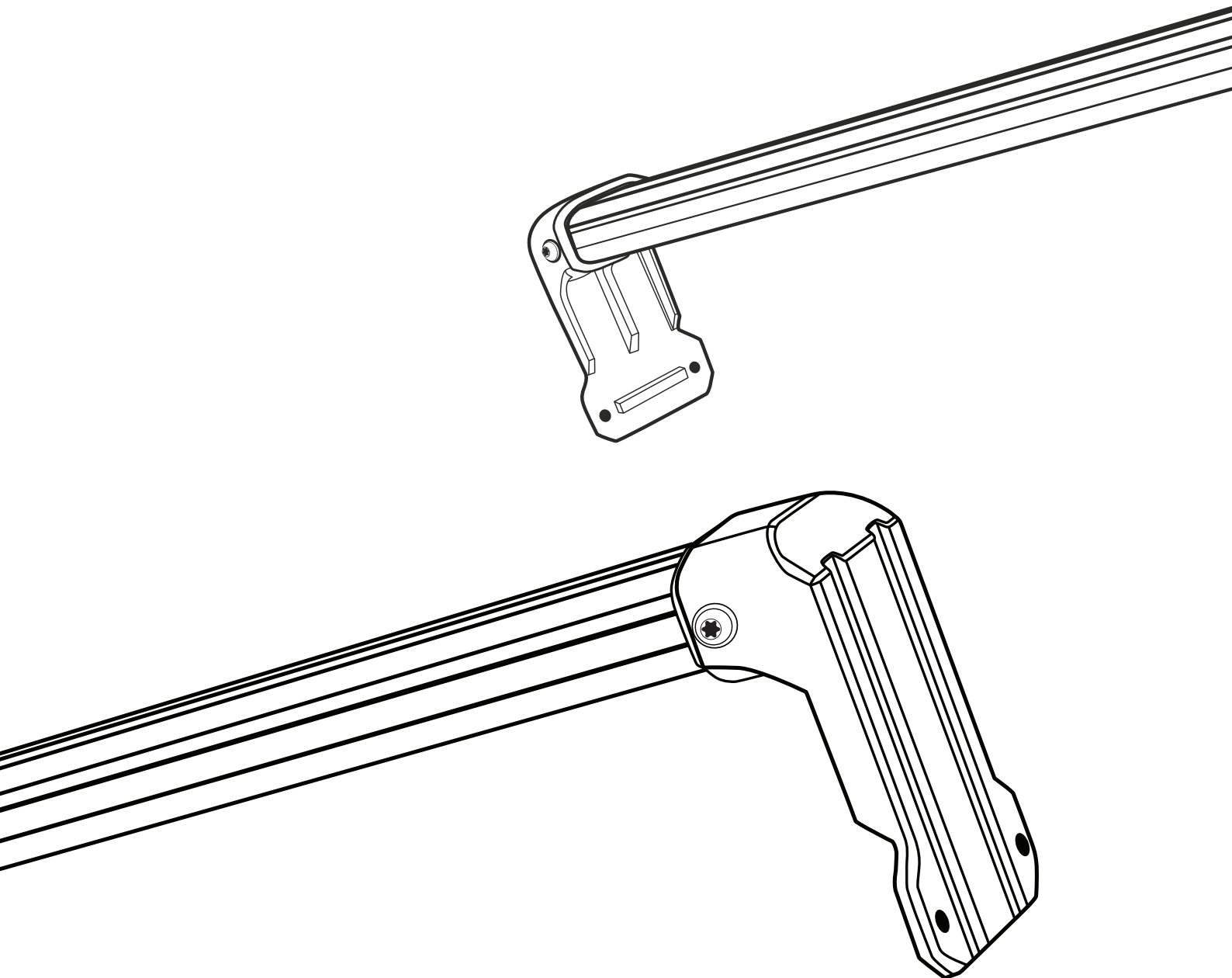




USER MANUAL

CROSS MOUNT 300



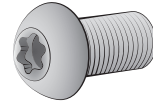
COMPONENTS



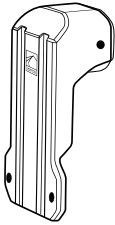
Top cross bar: 2ea



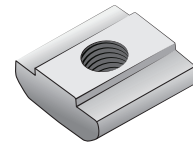
Spring washer: 16ea



M6 bolt torx head: 16ea



Side bracket: 4ea



M6 T-nut: 16ea

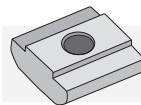


Torx plus T30 IP wrench: 1ea

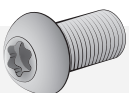
SPARE PARTS:



Spring washer: 2 ea



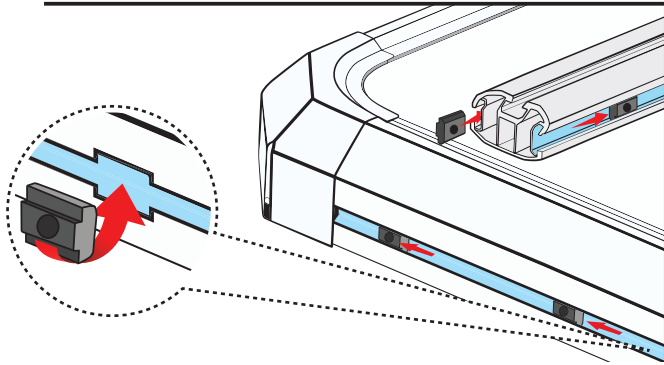
M6 T-nut: 4 ea



M6 bolt torx head: 2 ea

INSTALLING THE CROSS MOUNT SOLO

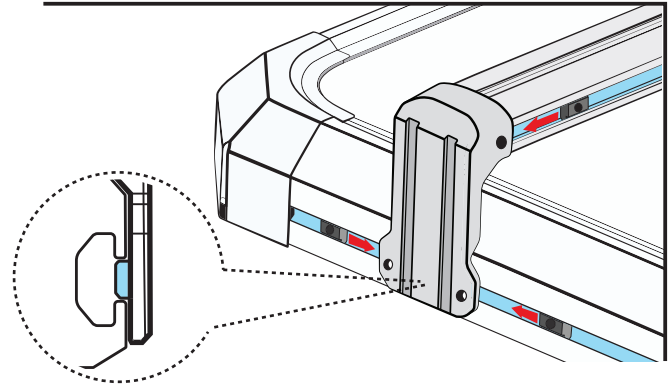
1. 4 T-NUTS INSERTION



Insert x2 T-Nuts into the groove of the top frame where you want to install the Top Crossbar Side Bracket.

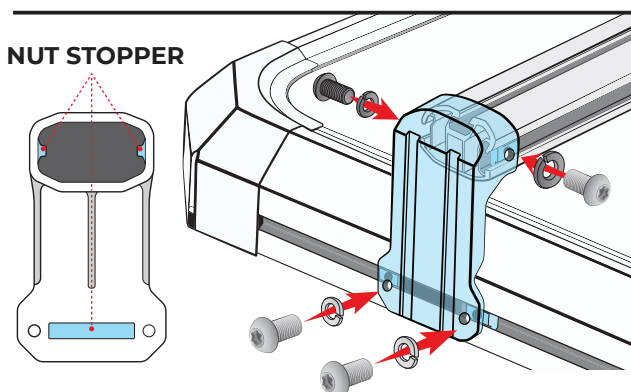
Insert x2 T-Nuts into the groove of the Top Crossbar.

2. CROSSBAR & SIDE BRACKET ASSEMBLY



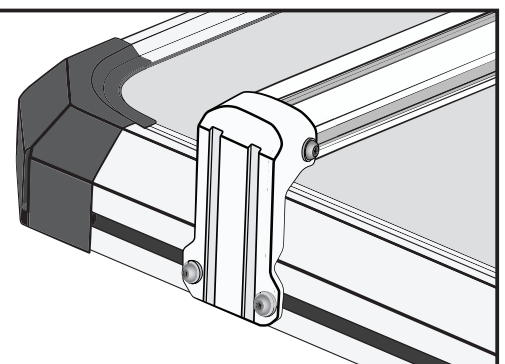
After mounting the side bracket to the crossbar, adjust x2 bolts and x2 washers as the picture shows, then tighten it into the T-nut.

3. ASSEMBLY TO FRAME



Insert x2 bolts and x2 washers into the groove of the top frame as the picture shows, then tighten it.

4. ASSEMBLY



To ensure that the crossbar is stable enough for you to attach the other side, we recommend attaching one side first.

DIMENSION

Two indication lines have been etched on both ends of the top crossbar to make sure that side brackets are fully inserted when mounting. Lines should not be visible after assembly.

