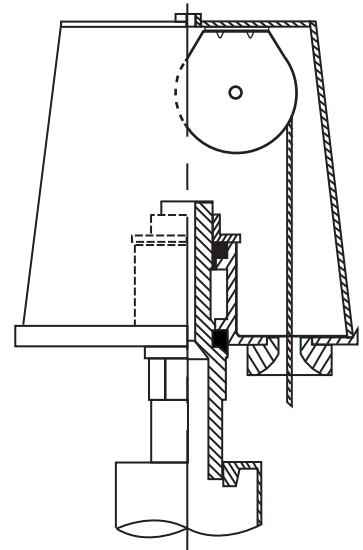
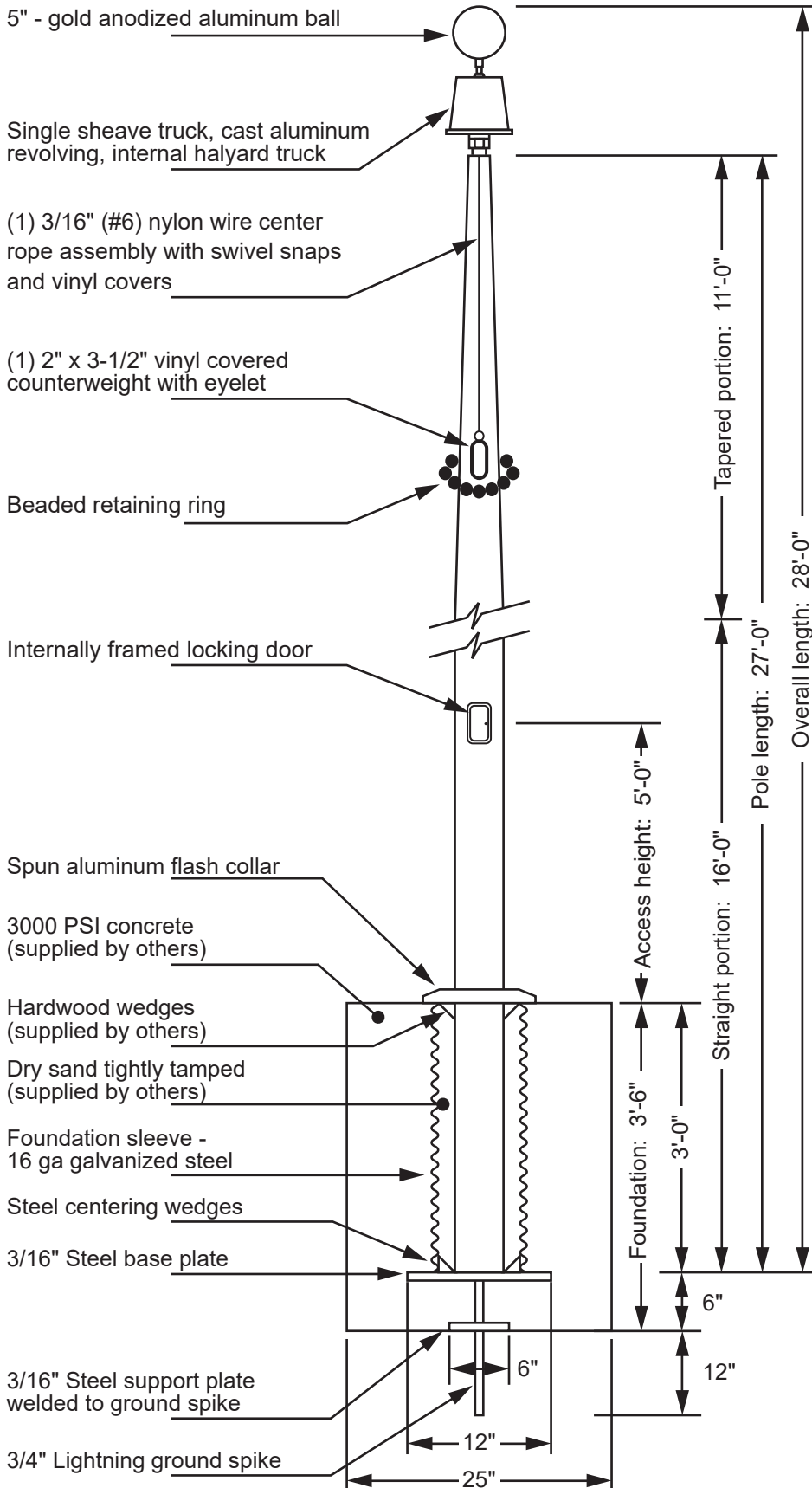
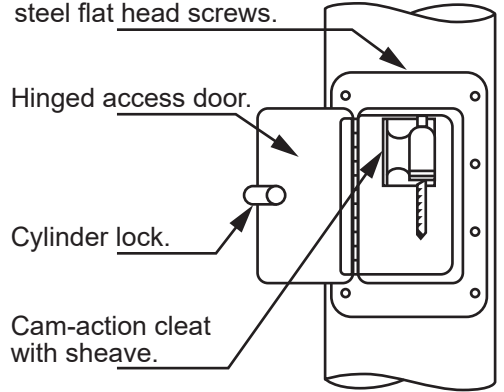


Model ECXV25 - Vanguard Internal Halyard



Revolving Internal Halyard Truck
 Cast aluminum body
 Enclosed stainless steel ball bearing and raceway
 Plated steel sheave

Reinforced, cast aluminum access frame mounted to shaft with 8, 1/4 20 x 1/2" stainless steel flat head screws.



Project: Location: Contractor: Customer:	Date: Job: Revision:	Pole Length ____ 27'-0" Overall Height ____ 28'-0" Butt Diameter ____ 5" Top Diameter ____ 3" Wall Thickness ____ .125" Ships in 1 section	Ground Set Tapered Aluminum Flagpole ALLOY 6063T6 80 grit polish FINISH:
			EDER FLAG 1000 W. Rawson Avenue Oak Creek, WI 53154 www.ederflag.com