

## ML-WM-5798

## LED CYLINDER LIGHT

### DESCRIPTION

This 3" Cylinder family is capable of wall mount, pendant mount, as well as ceiling mount. Color Selectable with options of 3000K/4000K/5000K, this slim profile LED cylinder can be used in a range of environments. When used in the outdoors, the wall mounted LED cylinder has an integrated photocontrol option for on/off capability as well as UP/DOWN/UP-DOWN light distribution option- all easily controlled by micro-sliding switches. Beam distribution come in 45 degrees and 75 degrees optics.



### Specification Features



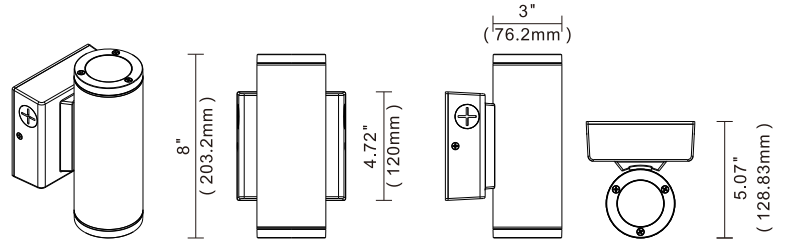
- Wall Mount version has Up/Down/Up-Down beam distribution capability.
- 3000K/4000K/5000K color selectable Daylight White Color Output.
- Wall Mount version has On/Off Photocontrol capability.
- UL Listed and suitable for wet locations

### Ordering information

Model No.	System Watts	Input Voltage	CRI	Color Temp	Option	Finish	Starting Temp
ML-WM-5798-15W-345K-UV-W	15W	120-277V	70+	3000K 4000K	4ft (4x12")connectable stems and base for Pendant Mount	White Black Gray	-40°C
ML-WM-5798-15W-345K-UV-C	15W			5000K			

\* DISCLAIMER: This test report was produced in accordance with IES LM-79 photometric testing protocol for luminaires, using a single representative test fixture. Actual production units may vary from the values reported here by up to ±10%.

**Product** scription



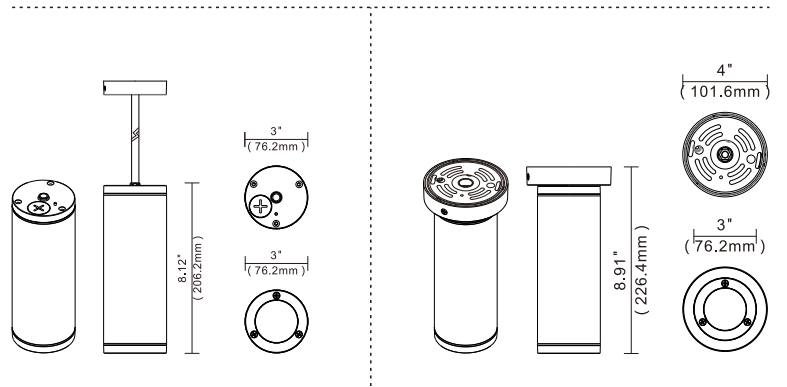
ML-WM-5798-15W-345K-UV-W



Cable Suspension Mount  
Optional four 12"  
connectable stems  
(4ft total)



Ceiling Mount



ML-WM-5798-15W-345K-UV-C

**Performance** Data

\*Lumen and Efficacy shows the highest wattage at 5000K

Model No.	System Watts	Lumen*	Efficacy*
ML-WM-5798-15W-345K-UV-W	15W	1684 lm*	112 lm/w*
ML-WM-5798-15W-345K-UV-C	15W	1619 lm*	108 lm/w*

\* DISCLAIMER: This test report was produced in accordance with IES LM-79 photometric testing protocol for luminaires, using a single representative test fixture. Actual production units may vary from the values reported here by up to ±10%.