

LED Lighting Fixture

SAVE THESE INSTRUCTIONS



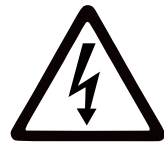
BEFORE YOU BEGIN

Read and follow all safety instructions

WARNING

RISK OF FIRE, EXPLOSION AND ELECTRIC SHOCK

- This product should be installed, inspected, and maintained by a qualified electrician only, in accordance with the NEC (National Electric Code) and all local codes.
- Turn off electrical power before inspection, installation or removal.
- Use only UL (or other NRTL) approved wire for input/output connections.
- Minimum size 18 AWG or 14 AWG for continuous runs.
- Make sure LEDs and drivers are cool to touch when performing maintenance.
- Make sure the supply voltage is the same as the rated voltage of the luminaire.
- Do not install in a hazardous atmosphere, except where the ambient temperature does not exceed the rated operating temperature of the fixture.
- Keep tightly closed when in operation



Prepare Electrical Wiring



Electrical Requirements

- The LED driver must be supplied with 120 or 277V, 50/60 Hz and connected to an individual, properly grounded branch circuit protected by a 20 ampere circuit breaker. Use min. 75°C supply.



Grounding Instructions

- The grounding and bonding of the overall system shall be done in accordance with NEC Article 600 and local codes

LED Wall Mount

Installation Guide

Tools Required:

#2 Phillips Screw Driver

Wire Strippers

Wire Cutters

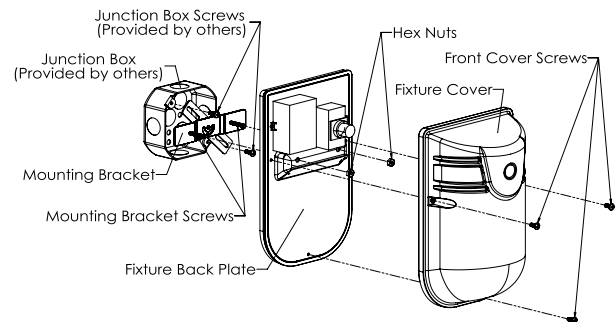
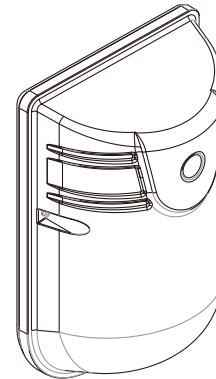
Small adjustable wrench or 5/16" socket wrench

Before starting:

- Ensure that the supply power is shut off.
- Unpack the fixture and ensure that there are no damaged or missing parts

Installation Steps:

- 1a) Locate the three screws on the front of the fixture cover and loosen them to remove the cover
- 2a) Locate the two hex nuts above the LED board and remove them to separate the fixture back plate and rear mounting bracket
- 3a) Secure the mounting bracket to the junction box
- 4a) Wire the fixture leads to the supply leads per Figure 1 below
- 5a) Reattach the fixture back plate to the mounting bracket
- 6a) Replace the fixture cover. Tighten screws securely



Standard Wiring Diagram



Figure 1.