

## ML-WL-5103

## LED WALL PACK

### DESCRIPTION

LED Full Cut-off Wallpack provides efficient lighting to where you needed most. It is Dark Sky friendly and provides exceptional lumens per watt. It has a Type III Forward throw directing light for maximum coverage. With industrial grade polycarbonate lens, this fixture is great for schools, parks, correctional facilities, and other public areas.



### Specification Features



#### Construction

► Industrial grade die-cast aluminum alloy body is tough on the elements and allow the luminaire to withstand the harshest of conditions.

#### Optical System

► Next generation LEDs combined with the best-in-class UV stablized commercial grade polycarbonate lens provide the most efficient lighting system. Optical system is engineered to provide professional grade light distribution and uniformity.

#### Electrical

► Long lasting LED coupled with UL Listed Drivers provide an electrical system that will stand the test of time. Universal voltage allow the luminaire to be used in multi-faceted environments.

#### Finish

► Luminaire is electrostatically coated with UV stabilized powder coat providing years of worry-free service.

#### Certification

► cUL and UL Listed. Listed for Wet Locations. DLC Premium certified.

### Ordering information

Model No.	System Watts	Input Voltage	CRI	Color Temp	Option Accessories	Finish	Starting Temp
ML-WM-5103-110WT-345K-T4-UV-BZ	60/80/110W	120-277V	70+	3000K 4000K 5000K	Photocontrol Emergency Driver FAO Controller	Bronze	-40°C

\* DISCLAIMER: This test report was produced in accordance with IES LM-79 photometric testing protocol for luminaires, using a single representative test fixture. Actual production units may vary from the values reported here by up to ±10%.

**Product Description**



**Door Frame**

The door frame is designed with the installer in mind. It has a simple to use hinge access, allowing installers to be hands-free when entering electrical compartment. This saves time and money.



**Integrated Heatsink**

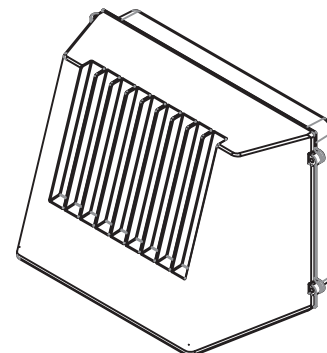
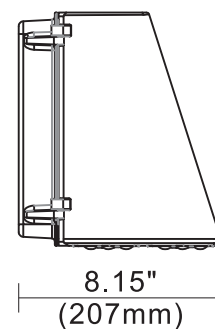
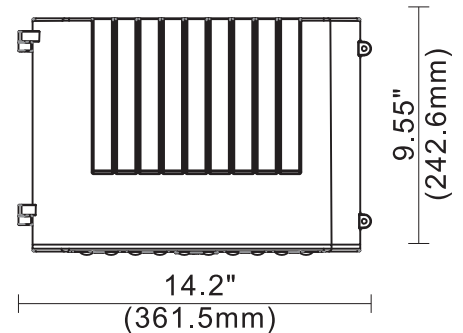
Integrated cooling fin provides excellent thermal dissipation. This design allows the fixture to have extremely long lifetime hours.



**Proprietary Optical Control**

Specifically designed lens for freedom of layout design without any restraint. These optics are engineered for maximum light output.

**Product Dimensions**



**Performance Data**

\* Lumen and Efficacy shows the highest wattage at 5000K

Model NO.	System Watts	Distribution	Lumen*	Efficacy*
ML-WM-5103-110WT-345K-T4-UV-BZ	60/80/110W	Type IV	14169 lm*	135.8 lm/w*

\* DISCLAIMER: This test report was produced in accordance with IES LM-79 photometric testing protocol for luminaires, using a single representative test fixture. Actual production units may vary from the values reported here by up to ±10%.