

LED Lighting Fixture

SAVE THESE INSTRUCTIONS



BEFORE YOU BEGIN

Read and follow all safety instructions

WARNING

RISK OF FIRE, EXPLOSION AND ELECTRIC SHOCK

- This product should be installed, inspected, and maintained by a qualified electrician only, in accordance with the NEC (National Electric Code) and all local codes.
- Turn off electrical power before inspection, installation or removal.
- Use only UL (or other NRTL) approved wire for input/output connections. Minimum size 18 AWG or 14 AWG for continuous runs.
- Make sure LEDs and drivers are cool to touch when performing maintenance. Make sure the supply voltage is the same as the rated voltage of the luminaire.
- Do not install in a hazardous atmosphere, except where the ambient temperature does not exceed the rated operating temperature of the fixture.
- Keep tightly closed when in operation



Prepare Electrical Wiring



Electrical Requirements

- The LED driver must be supplied with the voltage specified on the product label and connected to an individual, properly grounded branch circuit protected by a 20 Ampere circuit breaker. Use min. 75°C supply.



Grounding Instructions

- The grounding and bonding of the overall system shall be done in accordance with NEC Article 600 and local codes

LED Linear Light

Installation Guide

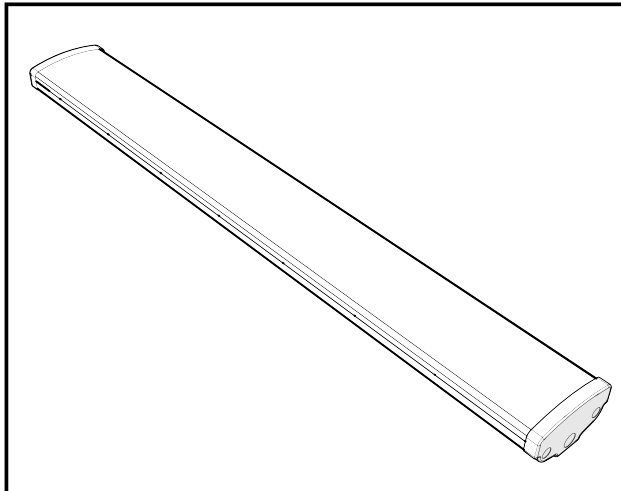
Before starting:

- Ensure that the supply power is shut off.
- Unpack the fixture and ensure that there are no damaged or missing parts

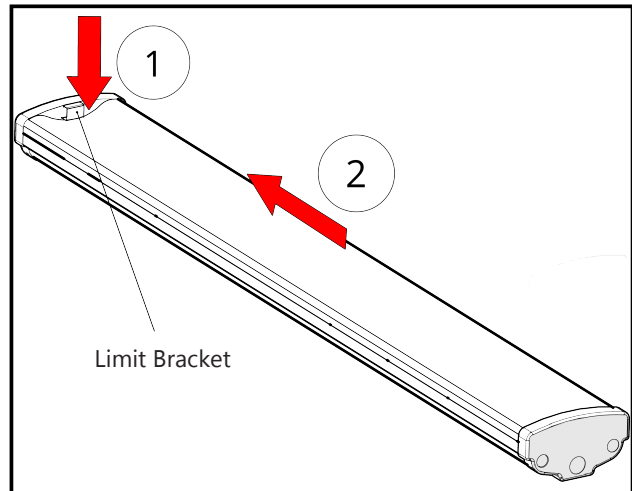
Tools Required:

- #2 Phillips Screw Driver
- Adjustable Wrench
- Wire Strippers
- Wire Cutters
- Power Drill with Assorted Bits

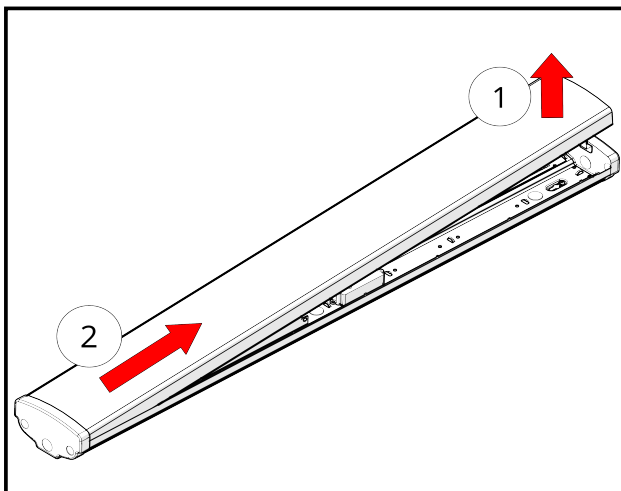
Standard Installation



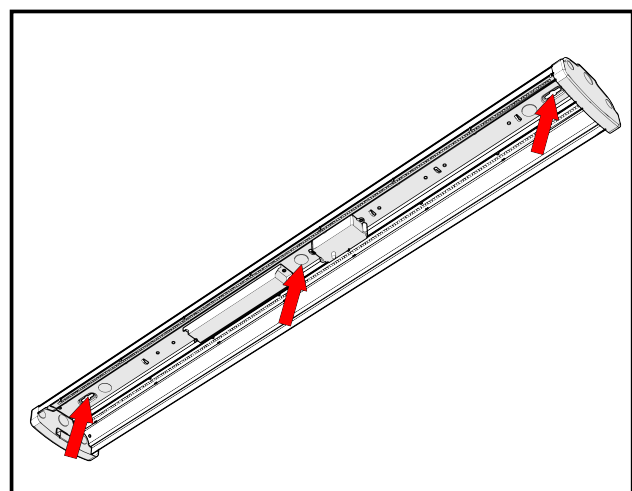
Step 1: Set the fixture on a flat surface.



Step 2: Gently press down on one side of the lens approximately 1" to reveal a limit bracket. Slide the lens toward the end being pressed. This will allow the opposite end to become free and lift out.



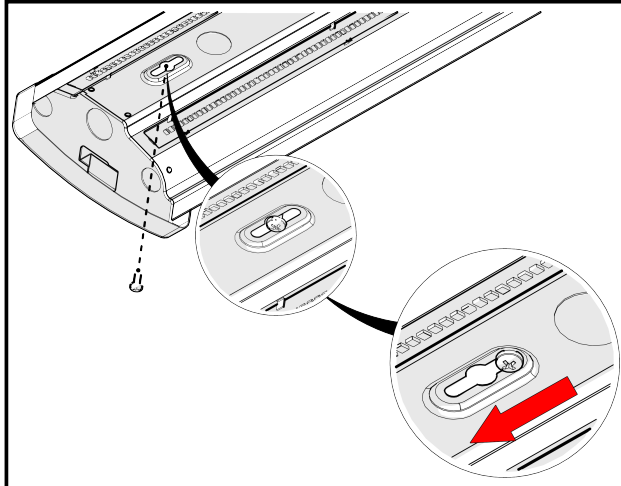
Step 3: Lift the opposite end of the lens and slide the lens out of the fixture. Set the lens aside.



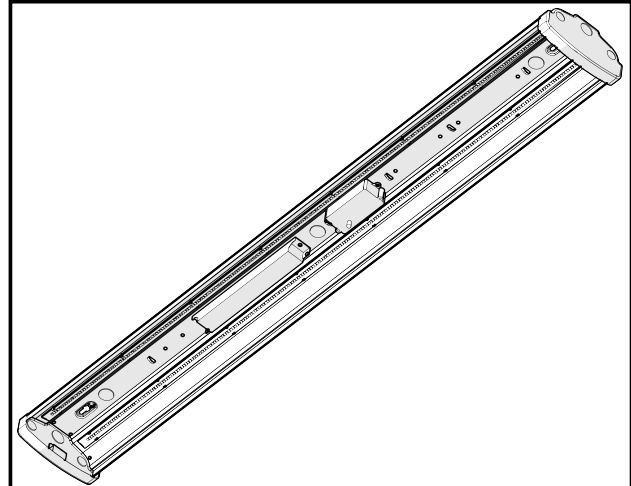
Step 4: With help from another person, position the fixture in the desired location and mark the center of the keyholes. Remove the appropriate knockout from the fixture.

LED Linear Light

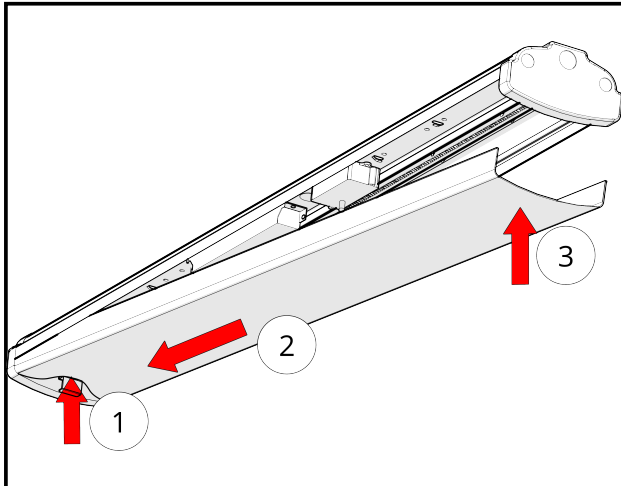
Installation Guide



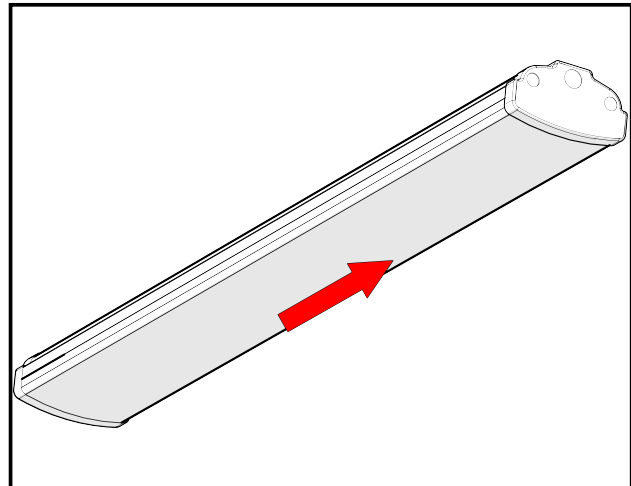
Step 5: Install the mounting hardware in the marked positions, leaving them slightly untightened. Align the keyholes in the fixture with the hardware in the ceiling and slide the fixture until the screws slide into the narrow ends of the keyholes. Tighten the hardware.



Step 6: Pull the supply wires through the knockout removed in Step 4. Wire the Hot(black), Neutral(white), and Ground(green) fixture wires with the incoming supply wires as shown on Page 4.



Step 7: Replace the lens by inserting one end of the lens into the end cap with the limit bracket. Press down slightly to keep the top of the lens under the bracket. Fit the opposite end of the lens into the fixture.

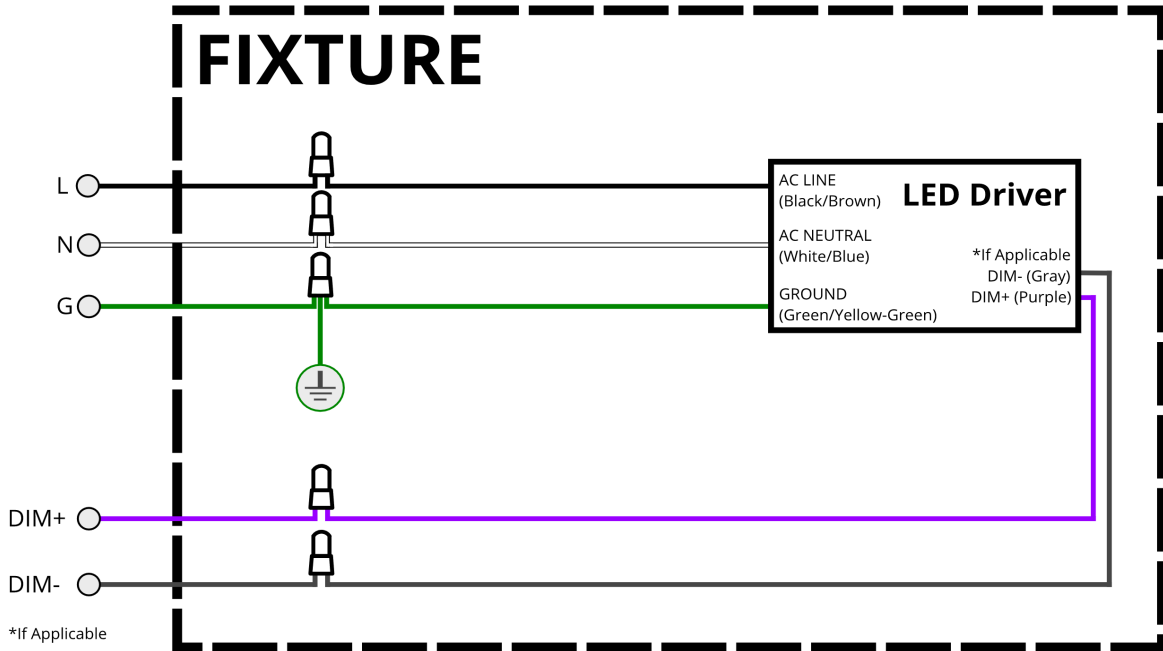


Step 8: Once the lens is fully fitted in the fixture housing, slide the lens towards the opposite end cap to lock the lens in place. Follow the sticker on the fixture, make sure the arrows are aligned. Restore power and check that the fixture is functioning properly.**

LED Linear Light

Installation Guide

Electrical Wiring Diagram



Electrical Wiring Diagram with EM Backup

