



ML-TR Series

LED TROFFER LIGHTS

DESCRIPTION

Three sizes in this LED Troffer family. They are 1'x4'ft, 2'X2'ft, and 2'X4'ft dimensions. This family provides a range of wattages and color temperature to satisfy any commercial applications. Max. 45W and 36W and 50W LED Troffer Lights with 3500K/4000K/5000K color selectability. Powder painted steel heavy-gauge housing, DLC and UL Listed, 5-year limited warranty



Specification Features



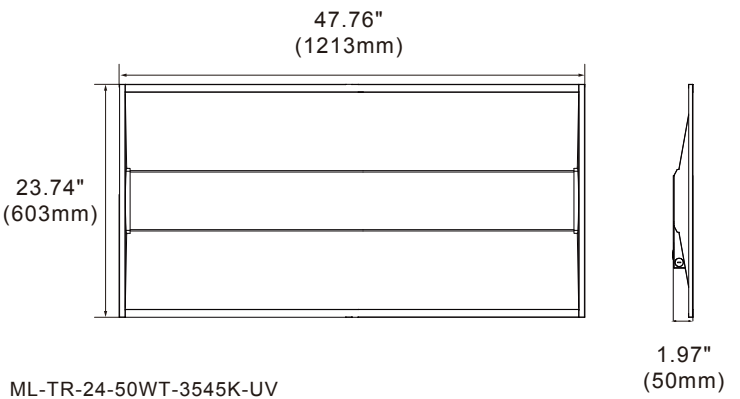
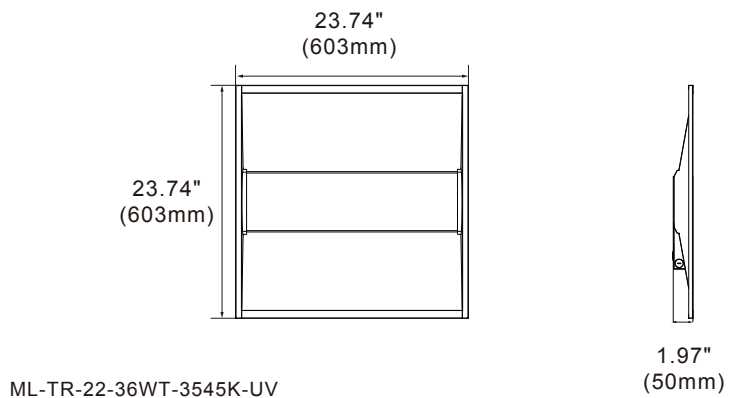
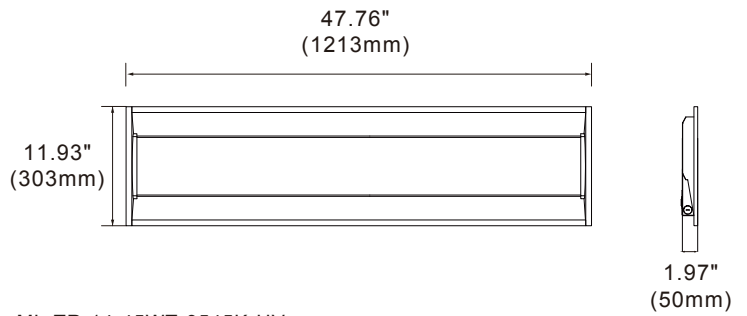
- 9 in 1 (3CCTs and 3 wattages selectable), less SKU, less inventory managing cost.
- Easy plug in sensor, NLC 5.0 Listed, PIR/Microwave/Bluetooth Sensor optional.
- With PC lens, never turn yellowing. Uniformity light, low glare with high reliability.
- Ultra slim design, only 50mm height, enlarging your loading qty and reduce shipping cost.
- Multi-sizes, multi-lumen packages. Meet your various requests.
- Factory or Field Install EB available, 90 mins backup time, Integrated test button, easy installation

Ordering information

Model No.	System Watts	Input Voltage	CRI	Color Temp	Sensor Option	Finish	Starting Temp
ML-TR-14-45WT-3545K-UV	20/30/45W	120-277V	70+	3500K	P=with PIR Sensor M=with Motion Sensor B=with Bluetooth Sensor L=with Bluetooth+ PIR Sensor	White	-40 C
ML-TR-22-36WT-3545K-UV	20/30/36W			4000K			
ML-TR-24-50WT-3545K-UV	30/40/50W			5000K			

* DISCLAIMER: This test report was produced in accordance with IES LM-79 photometric testing protocol for luminaires, using a single representative test fixture. Actual production units may vary from the values reported here by up to ±10%.

Product Description



Performance Data

* Lumen and Efficacy shows the highest wattage at 5000K

Model No.	System Watts	Lumens	LPW
ML-TR-14-45WT-3545K-UV	20/30/45W	5625 lm*	125 lm/w*
ML-TR-22-36WT-3545K-UV	20/30/36W	4500 lm*	125 lm/w*
ML-TR-24-50WT-3545K-UV	30/40/50W	6250 lm*	125 lm/w*

* DISCLAIMER: This test report was produced in accordance with IES LM-79 photometric testing protocol for luminaires, using a single representative test fixture. Actual production units may vary from the values reported here by up to ±10%.