

MINI PENDANT FIXTURE

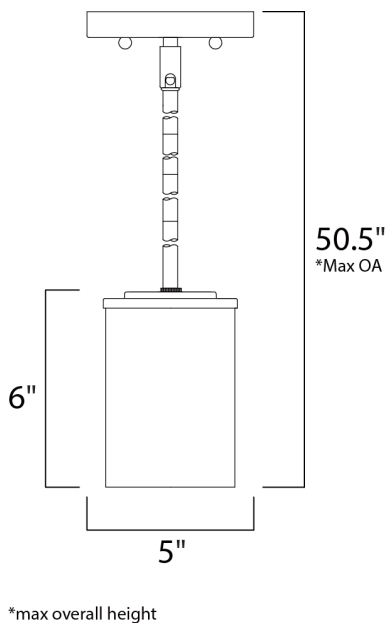
Featuring a simple geometric shape and either frosted or clear glass shades, this one light mini pendant fixture perfectly offers a modern & elegant style; it includes a standard E26 medium base which is compatible with a variety of incandescent, CFL or LED bulbs less than 60W; with adjustable rods, adjustment of the height is easy and all mounting hardware and clear instruction helps on fast installation. Great for any kitchen island, dining room, living room etc. in any indoor application or style.



SPECIFICATION

MODEL NO	ML-TH-Pendant
VOLTAGE	120VAC
LIGHT SOURCE	Incandescent, CFL or LED Bulb
BULB BASE	E26
MAX BULB WATTAGE	60W
HOUSING	Metal & Clear or Frosted Glass
FINISH	Satin Nickel or Matte Black or Satin Brass
DIMMING	Yes Based On Bulb Used
WORKING TEMPERATURE	*-20°F - 113°F (-4°C - 45°C)
ENVIROMENT	Indoor Use, Damp Location
CERTIFICATE	cETLus

PRODUCT DIMENSIONS



INSTALLATION

