

LANTERN WALL LIGHT

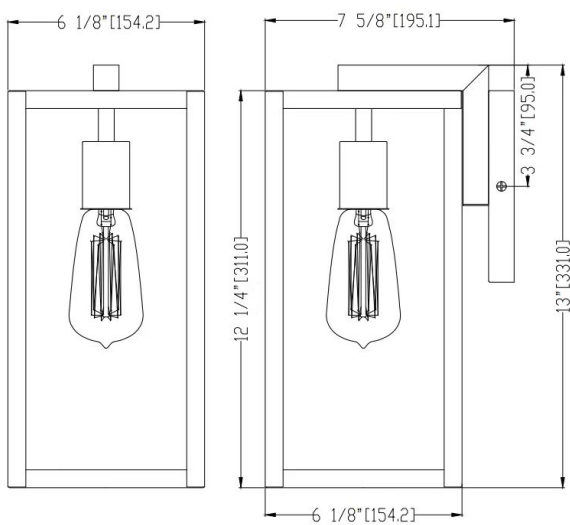
The outdoor wall mounted lantern light is with an elongated rectangular shaped design which is both minimalist and industrial. Durable metal frames of matte black support clear glass panels that provide an unobstructed view of the lantern's interior. The fixture includes a standard E26 medium base which is compatible with a variety of incandescent, CFL or LED bulbs less than 100W. Rain or snow proof housing resistant to rust and impact can be used outdoors in all weather conditions. The fixture is suitable for wet locations, making it perfect for indoor and outdoor projects i.e. garage entry, shed, or patio etc areas.



SPECIFICATION

MODEL NO	ML-TH-Lantern
VOLTAGE	120VAC
LIGHT SOURCE	Incandescent, CFL or LED Bulb
BULB BASE	E26
MAX BULB WATTAGE	100W
HOUSING	Metal
FINISH	Matte Black, Matte White, ORB
DIMMING	Yes Based On Bulb Used
WORKING TEMPERATURE	*-40°F - 113°F (-40°C - 45°C)
ENVIROMENT	Wet Location
CERTIFICATE	cETLus

PRODUCT DIMENSIONS



INSTALLATION

