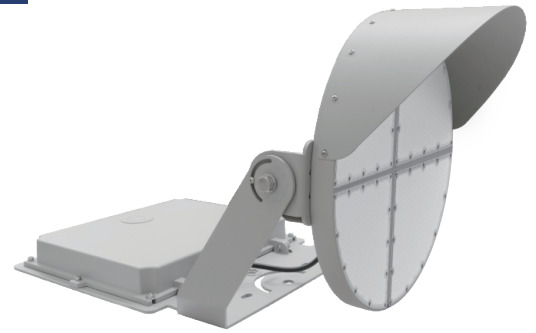


## ML-SPL-4801

## LED SPORTS LIGHT

### DESCRIPTION

This NEW Designed State of the Art Sports Flood is made with High Strength Die Cast Aluminum with Elite Thermal Dissipation to allow the fixture to be installed in harsh conditions. This ML-SPL-4801 comes standard with 2 mounting options, U bracket and Bolt option, to accommodate all mounting applications. Utilizing 4 different optical distributions (20, 30, 40, and 50 degree), this fixture can accomplish all your Sports Lighting requirements for a Photometric Masterpiece on your project.



### Specification Features

#### LISTING

UL and CUL listed for wet locations , IP65, DLC 5.1 Premium

#### FINISH

UV stabilized powder coated finish

#### HOUSING

Die Cast Aluminum Head and Driver box with a steel frame for support coated in a gray powder coat

#### LENS

20, 30, 40, and 50 Degree Optics

#### LEDS

New generation LED module

#### OPTIONS

Standard 200-528V Driver

Standard U Bracket and Bolt Mounting Option

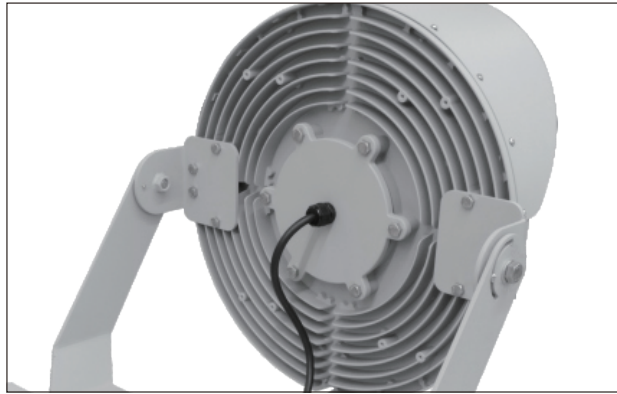
Finish Gray color option with adder

### Ordering information

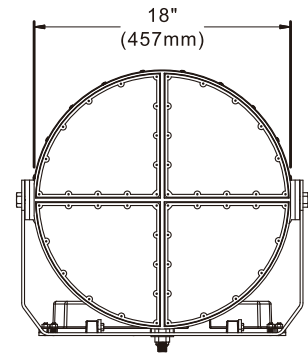
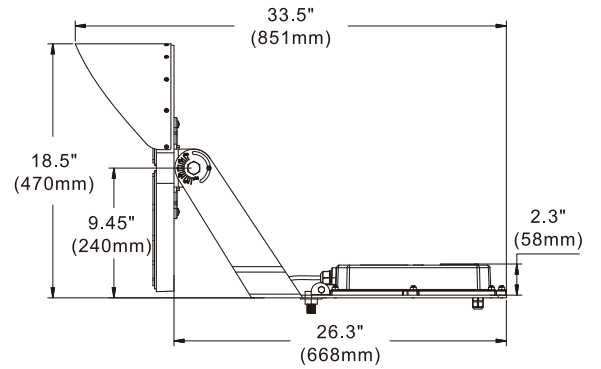
Model No.	Nomina Watts	Input Voltage	CRI	Color Temp	Dist. Type	Standard	Finish	Starting Temp
ML-SPL-4801-575W-5K-UV	575W	200-528V	70+	5000K	20 Degree 30 Degree 40 Degree 50 Degree	20ft Cord 20kV Surge 5/8" Bolt	Gray	-40 C

\* DISCLAIMER: This test report was produced in accordance with IES LM-79 photometric testing protocol for luminaires, using a single representative test fixture. Actual production units may vary from the values reported here by up to ±10%.

**Product Description**



**Product Dimensions**



**Performance Data**

Model No.	Nominal Watts	Lumens	Efficacy
ML-SPL-4801-575W-5K-UV	575W	90000 lm	157 lm/w

\* DISCLAIMER: This test report was produced in accordance with IES LM-79 photometric testing protocol for luminaires, using a single representative test fixture. Actual production units may vary from the values reported here by up to ±10%.