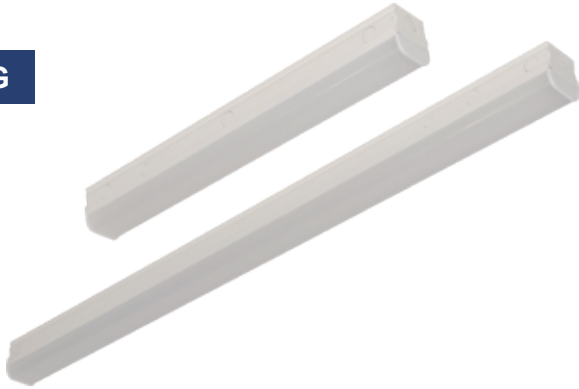




ML-SL **LED STRIP LIGHTING**

DESCRIPTION

With its slim design, this new linear strip light seamlessly blends flat high quality housing and precision optics to produce a sleek, subtle aesthetic that meets most office ceiling application needs. It is ideal for office spaces, supermarkets, meeting rooms, and workshops



Specification Features



LISTING

► UL and CUL listed

AMBIENT TEMPERATURE

► Suitable for use in -20°C to +40°C

HOUSING

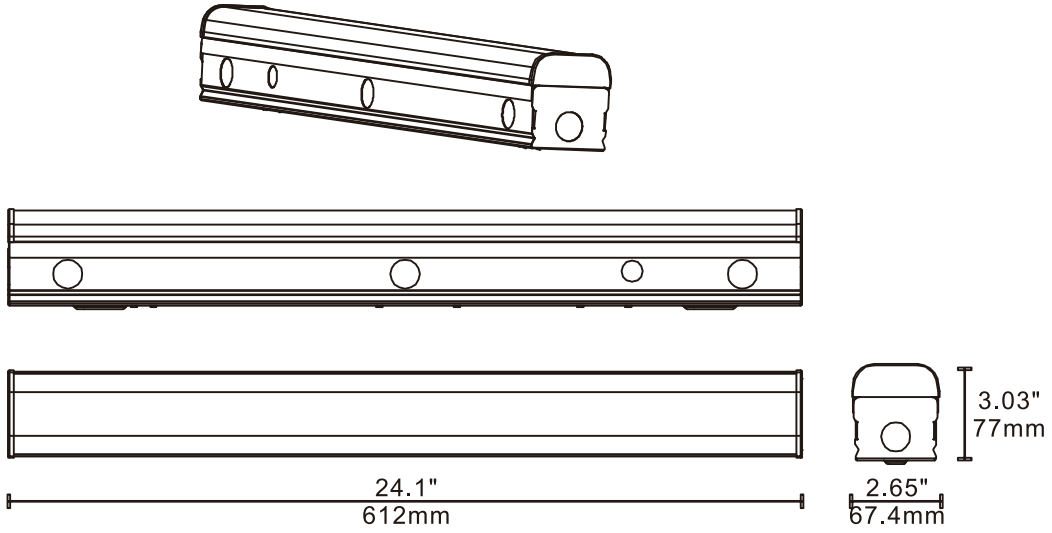
► Housing made of high quality steel with high reflectance paint, providing high lumen output.

Ordering information

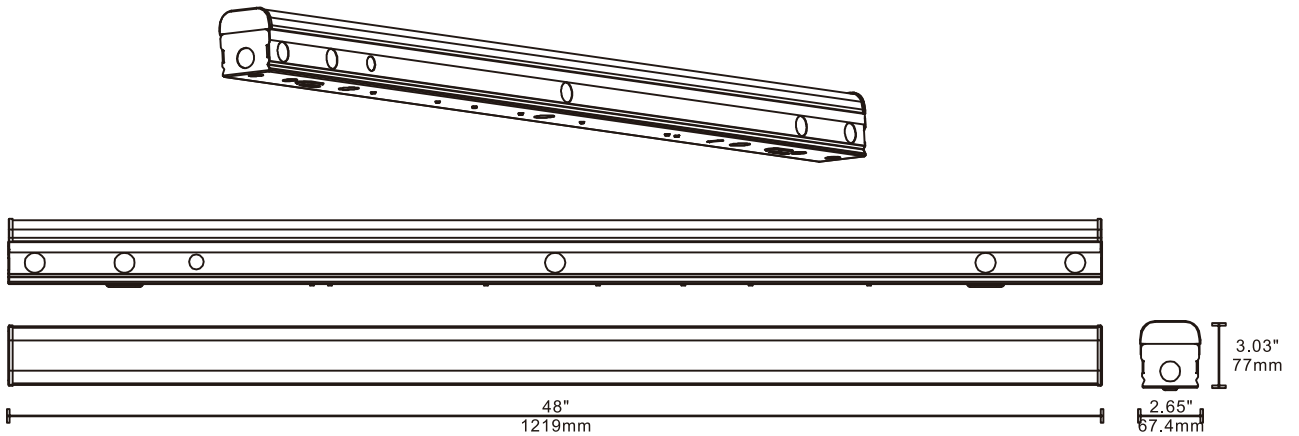
Model No.	System Watts	Input Voltage	CRI	Color Temp	Option	Finish
ML-SL-2-20W-345K-UV-WT	20W	120-277VAC	80+	3000 K	No Sensor	White
				4000 K	Occupancy Sensor	
				5000 K	Emergency Driver	
ML-SL-4-45WT-345K-UV-WT	22/32/45W					
ML-SL-8-70WT-345K-UV-WT	35/50/70W					

* DISCLAIMER: This test report was produced in accordance with IES LM-79 photometric testing protocol for luminaires, using a single representative test fixture. Actual production units may vary from the values reported here by up to ±10%.

Product Dimensions

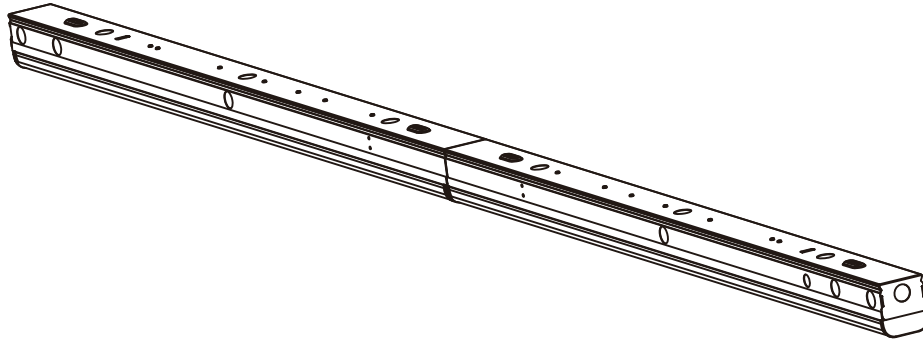


ML-SL-2-20W-345K-UV-WT



ML-SL-4-45WT-345K-UV-WT

Product Description



3.03"
77mm

96"
2438mm

2.65"
67.4mm

ML-SL-8-70WT-345K-UV-WT

Performance Data

Model NO.	System Watts	Lumens	Lpw	Linkable
ML-SL-2-20W-345K-UV-WT	20W	2608 lm*	130 lm/w*	2ft
ML-SL-4-45WT-345K-UV-WT	22/32/45W	5467 lm*	121 lm/w*	4ft connect up to 8ft
ML-SL-8-70WT-345K-UV-WT	35/50/70W	8624 lm*	123 lm/w*	8ft connect up

* DISCLAIMER: This test report was produced in accordance with IES LM-79 photometric testing protocol for luminaires, using a single representative test fixture. Actual production units may vary from the values reported here by up to ±10%.