

DESCRIPTION

With its slim design, this new linear strip light seamlessly blends flat high quality housing and precision optics to produce a sleek, subtle aesthetic that meets most office ceiling application needs. It is ideal for office spaces, supermarkets, and meeting rooms.



Specification Features

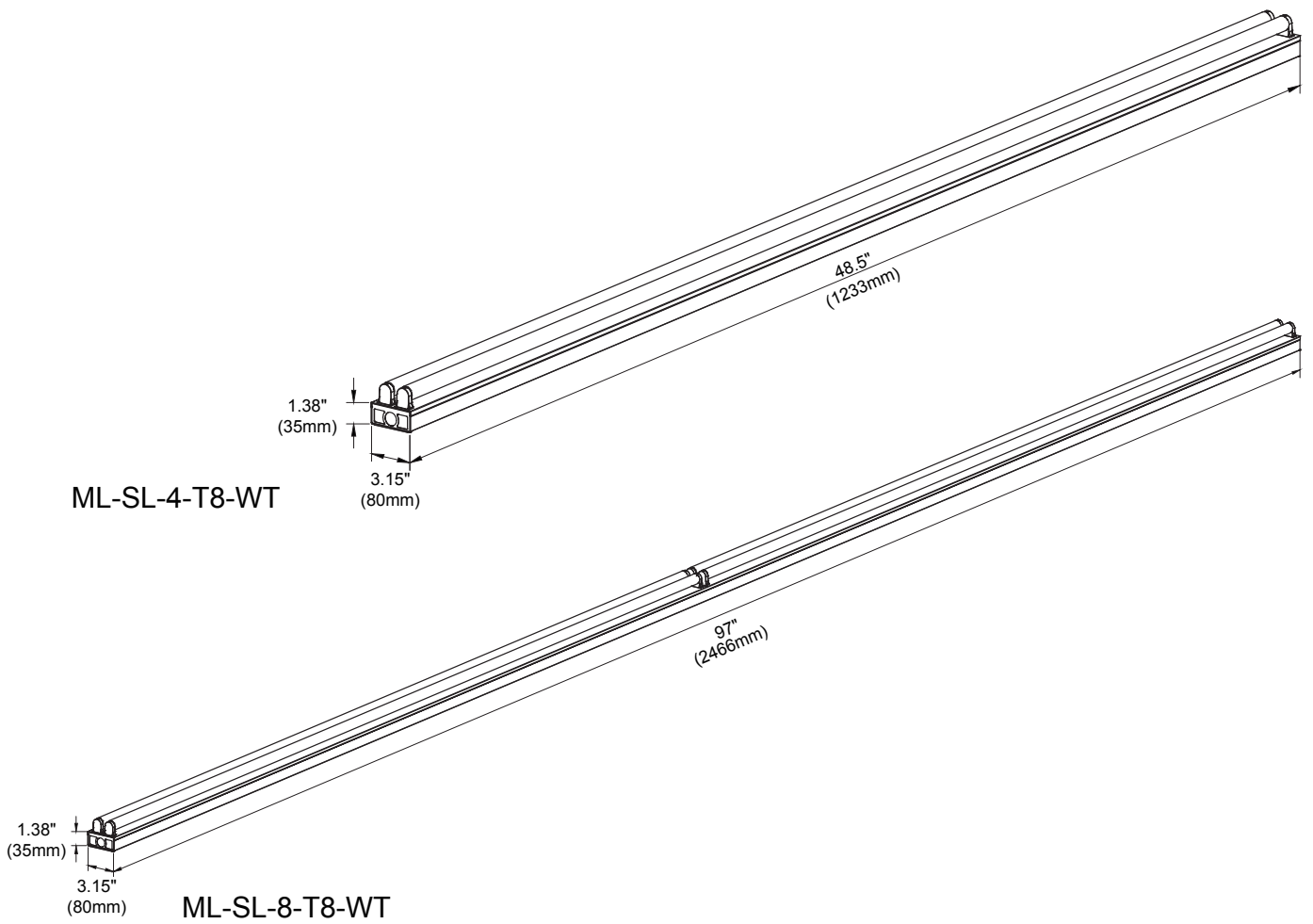


- ▶ Constructed of Die-formed heavy gauge cold rolled steel
- ▶ Painted with a lighting grade baked white enamel
- ▶ Ballast cover locked by tool-less screws
- ▶ Easy for lamp replacement and maintance
- ▶ Ceiling, surface or pendant mount

Ordering information

Model No.	Lamp type	Lamps	Length	Width	Height
ML-SL-4-T8-WT	F32T8	2x32W	48 3/8"	3 1/8"	1 3/8"
ML-SL-8-T8-WT	F32T8	4x32W	96 7/8"	3 1/8"	1 3/8"

Product Dimensions



Product Dimensions

