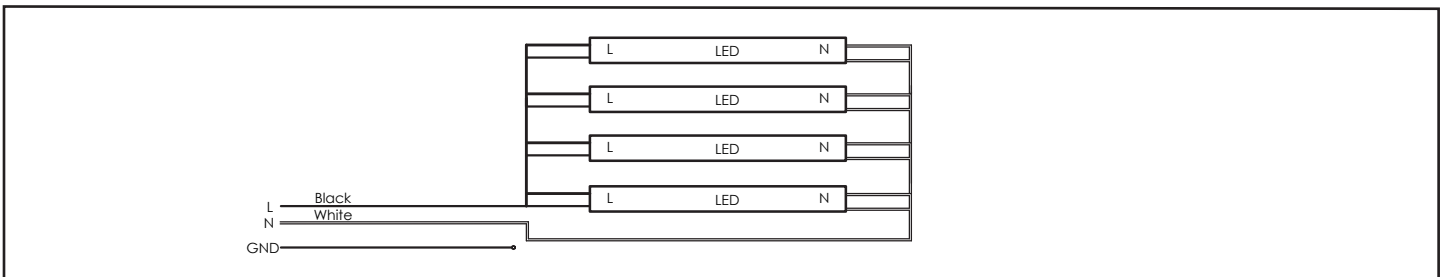


SAFETY PRECAUTIONS:

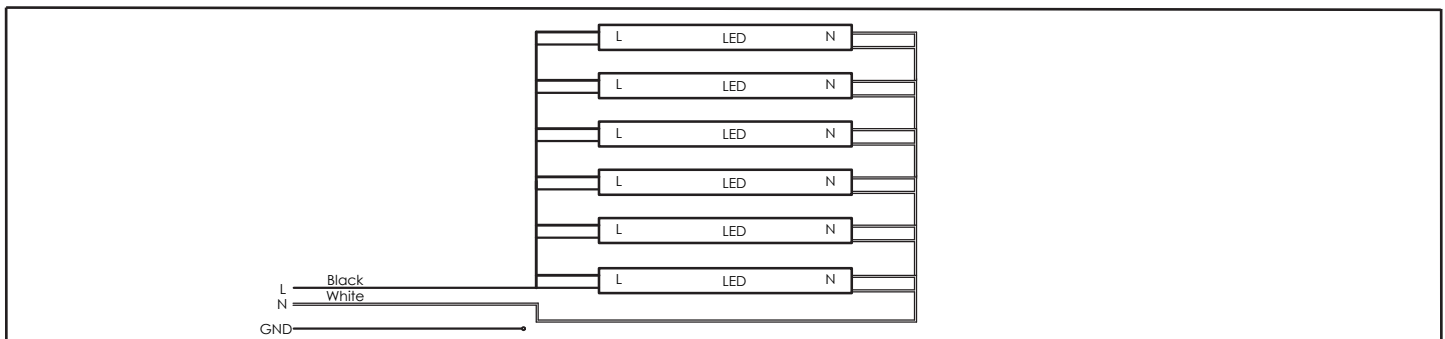
- WARNING: RISK OF FIRE OR ELECTRIC SHOCK. THE INSTALLATION SHOULD BE PERFORMED ONLY BY A QUALIFIED ELECTRICIAN IN ACCORDANCE WITH THE NATIONAL ELECTRICAL CODE AND RELEVANT LOCAL CODES. THIS PRODUCT MUST BE INSTALL IN FULL ACCORDANCE WITH APPLICABLE.
- TO PREVENT ELECTRICAL SHOCK, MAKE SURE TO TURN OFF MAINPOWERS SWITCH PRIOR TO THE INSTALLATION.

WIRING DIAGRAMS:

TYPE B(BYPASS) ML-HB-4-T8



TYPE B(BYPASS) ML-HB-6-T8



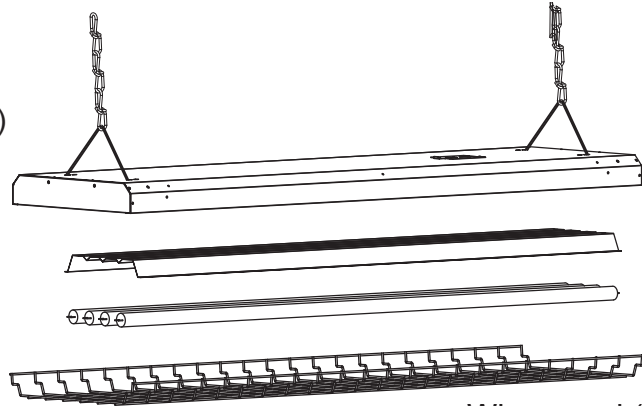
INSTALLATION:

ALWAYS TURN OFF THE POWER SUPPLY FROM MAIN CIRCUIT BREAKER FIRST!

1. Remove the blue tape from the reflector.
2. Securely affix two chains of equal length of equal length to the ceiling.
3. Hang the chains onto the V hooks found on the back of the luminaire.
4. Connect power cable, installed on the access plate, to the junction box wires as follows: ground wire to manufacturer's ground wire,
LIVE wire to manufacturer's power wire, neutral wire to manufacturer's neutral wire.
5. Install the lamp or lamps in the luminaire.
6. Install the wire guard (in option)
7. Turn on the luminaire.

INSTALL WITH CHAINS ML-HB-4-T8

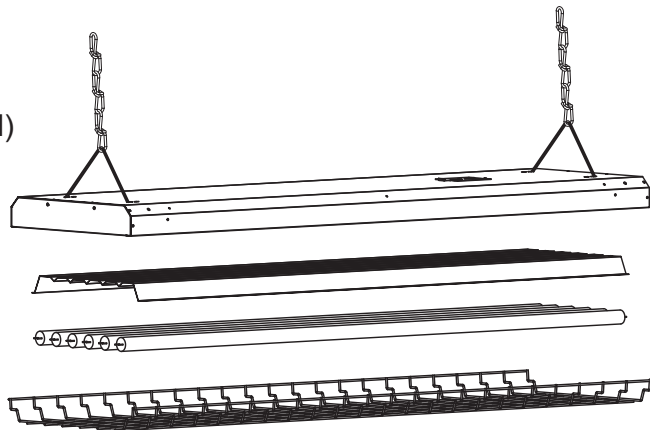
V-hook & Chain (included)



Wire guard (options)

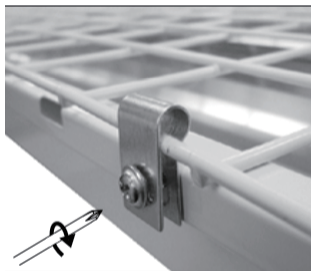
INSTALL WITH CHAINS ML-HB-6-T8

V-hook & Chain (included)



Wire guard (options)

WIRE GUARD INSTALLATION



Install the wire guard using 3 retaining brackets and 3 screws on each side of the housing.

LAMPS INSTALLATION

Check that the LAMP MAXIMUM WATTAGE and TYPE agree with the luminaire's nameplate ratings.
Insert the lamps into the sockets and turn 90 degrees for proper contact.