

ML-FL-4153

LED FLOOD LIGHT



DESCRIPTION

This compact but powerful flood light is a true innovation practically and aesthetically. The upgraded tuning switch allows for easy access to a range of CCTs and wattages based on different environments. Utilizing performance optics and long lasting driver, these landscape flood lights will last for years to come.

Specification Features



LISTING

UL and CUL listed for wet locations

FINISH

UV stabilized powder coated finish

HOUSING

Solid construction die-cast aluminum body

OPTIONS

Optional photocell

Finish - Bronze. Color options with adder

Build in color adjustable control ranging from 3000K to 5000K

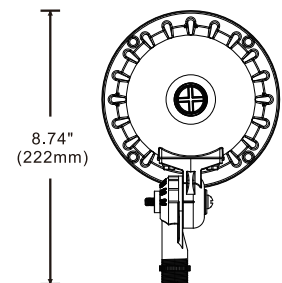
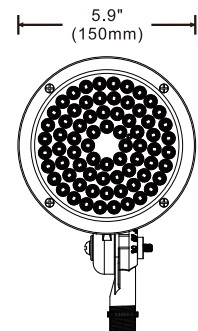
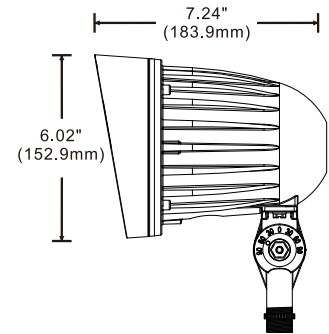
Ordering information

Model No.	Nominal Watts**	Input Voltage	CRI	Color Temp	Distribution	Option	Finish	Starting Temp
ML-FL-4153-24WT-345K-UV	9/16/24W	120-277V	80+	5000K 4000K 3000K	Nema 4, 25° Nema 5, 45°	Photocontrol	Bronze	40°C ~ +40°C

* DISCLAIMER: This test report was produced in accordance with IES LM-79 photometric testing protocol for luminaires, using a single representative test fixture. Actual production units may vary from the values reported here by up to ±10%.

Product Description

Product Dimensions



Performance Data

* Lumen and Efficacy shows the highest wattage at 5000K

Model No.	Nominal Watts**	Lumens**	Efficacy**
ML-FL-4153-24WT-345K-UV	9/16/24W	3200 lm*	133 lm/w*

* DISCLAIMER: This test report was produced in accordance with IES LM-79 photometric testing protocol for luminaires, using a single representative test fixture. Actual production units may vary from the values reported here by up to ±10%.