

**ML-BL-1993AS/1993AC**

**LED BOLLARD**

## DESCRIPTION

This attractive commercial grade 8" LED Bollard has been totally redesigned to be the best in class. Built using aircraft aluminum material for its body and die-cast housing for its head, this LED bollard provides corrosion and vandal resistance. Withstanding the most challenging environments, this luminaire is ideal for lighting pedestrian walkways as well as accenting the exterior grounds of office and apartment buildings, hotels and parks. The specially designed optics also allow light to be distributed at where you needed most. Product is CCT and Wattage Selectable.



## Specification Features

### Construction

- Industrial grade die-cast aluminum alloy head is tough on the elements and allow the luminaire to withstand the harshest of conditions. Aircraft aluminum housing protects fixture against corrosion.

### Optical System

- Next generation LEDs combined with the best-in-class UV stabilized commercial grade polycarbonate lens provide the most efficient lighting system. Optical system is engineered to provide professional grade light distribution and uniformity.

### Electrical

- Long lasting LED coupled with UL Listed Drivers provide an electrical system that will stand the test of time. Universal voltage allow the luminaire to be used in multi-faceted environments.

### Finish

- Luminaire is electrostatically coated with UV stabilized powder coat providing years of worry-free service.

### Certification

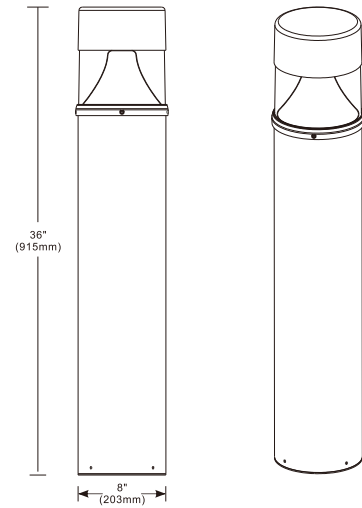
- cUL and UL Listed. Listed for Wet Locations. DLC Premium certified.

## Ordering information

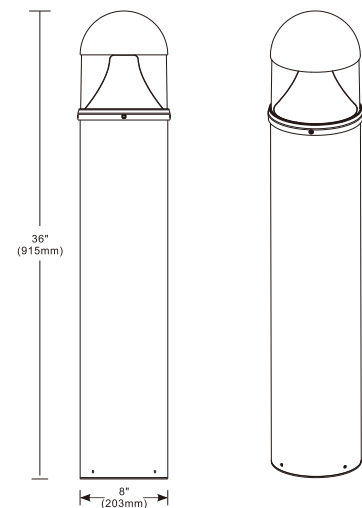
Model No.	System Watts	Input Voltage	CRI	Color Temp	Finish	Starting Temp
ML-BL-1993AS-38WT-345K-UV	37/28/20W	120-277V	70+	3000K 4000K	Bronze	-40°C
ML-BL-1993AC-38WT-345K-UV	37/28/20W			5000K		

\* DISCLAIMER: This test report was produced in accordance with IES LM-79 photometric testing protocol for luminaires, using a single representative test fixture. Actual production units may vary from the values reported here by up to ±10%.

**Product** scription



ML-BL-1993AC-38WT-345K-UV



ML-BL-1993AS-38WT-345K-UV

Extruded aluminum tube provides strength and durability as well as protects and conceals the component wiring. Terminal block provided on base bracket for easy installation of incoming supply wires.

LED compartment is airtight to prevent fogging and condensation build up and keep water out.

Aluminum reflector designed to reduce glare and produce an even distribution.

Clear UV resistant polycarbonate lens allows for optimal light transmission and protects the light engine compartment from harsh environments.

Driver is mounted under the LED compartment for easy replacement and to protect from water that may accumulate in the base of the bollard. Torx security screws secure the LED compartment to the base to deter vandalism.

**Performance** Data

\*Lumen and Efficacy shows the highest wattage at 5000K

Model No.	System Watts	Lumen*	Efficacy*
ML-BL-1993AS-38WT-345K-UV	37/28/20W	4818 lm*	130 lm/w*
ML-BL-1993AC-38WT-345K-UV	37/28/20W	4818 lm*	130 lm/w*

\* DISCLAIMER: This test report was produced in accordance with IES LM-79 photometric testing protocol for luminaires, using a single representative test fixture. Actual production units may vary from the values reported here by up to ±10%.