

ML-WM-5573

LED WALL PACK

DESCRIPTION

Utilizing the latest generation of LED Chips and a patented smart controller, this uniquely designed wall pack not only delivers a similar light output of a 150/200W metal halide, but it also has multiple wattage and CCT to choose from based on different environments. Housing made out of die-cast aluminum with reliable powder coating specifically for harsh outdoor environment.



Specification Features



Optical System

► Next generation LEDs combined with the best-in-class UV stabilized commercial grade polycarbonate lens provide the most efficient lighting system. Optical system is engineered to provide professional grade light distribution and uniformity.

Electrical

► Long lasting LED coupled with UL Listed Drivers provide an electrical system that will stand the test of time. Universal voltage allow the luminaire to be used in multi-faceted environments.

Finish

► Luminaire is electrostatically coated with UV stabilized powder coat providing years of worry-free service.

Certification

► cUL and UL Listed. Listed for Wet Locations. DLC Premium certified.

Ordering information

Model No.	System Watts	Input Voltage	CRI	Color Temp	Distribution	Option Accessories	Finish	Starting Temp
ML-WM-5573-24W-345K	24W	120-277V	70+	3000K 4000K 5000K	Type III Type IV	Photocontrol	Bronze	-40°C

* DISCLAIMER: This test report was produced in accordance with IES LM-79 photometric testing protocol for luminaires, using a single representative test fixture. Actual production units may vary from the values reported here by up to ±10%.

Product Description

Product Dimensions



Back Ring Design

Back ring design for even-balanced installation compatible with both round, octagon, and squared junction box.



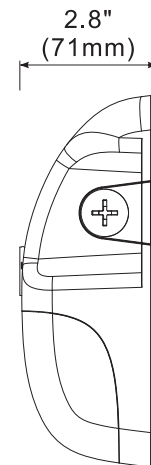
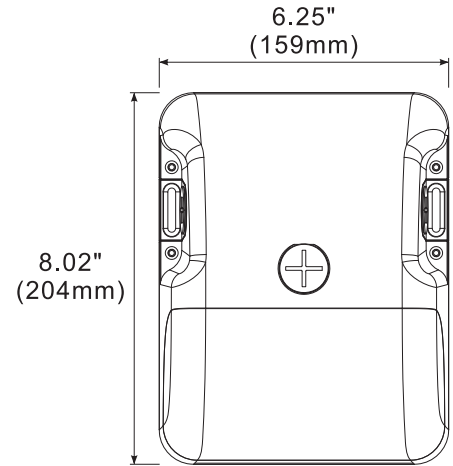
Selectable Controller

Built in photocontrol and color tunable controller for varieties of CCT.



Level Bubble

Built in level bubble for easy and fast installation.



Performance Data

* Lumen and Efficacy shows the highest wattage at 5000K

Model NO.	System Watts	Lumens	LPW
ML-WM-5573-24W-345K	24W	3500 lm**	145.8 lm/W*

* DISCLAIMER: This test report was produced in accordance with IES LM-79 photometric testing protocol for luminaires, using a single representative test fixture. Actual production units may vary from the values reported here by up to ±10%.