



ML-WM-2725 **LED ROADWAY LIGHT**

DESCRIPTION

Next generation LED Dusk to Dawn provides efficient lighting to where you needed most. The traditional barnlight has been transformed to a compact dimension yet still packing a punch. With special designed optics, this luminaire still provides excellent lumens performance while providing additional energy savings by including a NEMA rated Photocontrol sensor. With such features, this is truly a dusk to dawn workhorse.



Specification Features



Construction

► Industrial grade die-cast aluminum alloy body is tough on the elements and allow the luminaire to withstand the harshest of conditions.

Optical System

► Next generation LEDs combined with the best-in-class UV stablized commercial grade polycarbonate lens provide the most efficient lighting system. Optical system is engineered to provide professional grade light distribution and uniformity.

Certification

► cUL and UL Listed. Listed for Wet Locations. DLC Premium certified.

Optical System

► Next generation LEDs combined with the best-in-class UV stablized commercial grade polycarbonate lens provide the most efficient lighting system. Optical system is engineered to provide professional grade light distribution and uniformity.

Electrical

► Long lasting LED coupled with UL Listed Drivers provide an electrical system that will stand the test of time. Universal voltage allow the luminaire to be used in multi-faceted environments

Finish

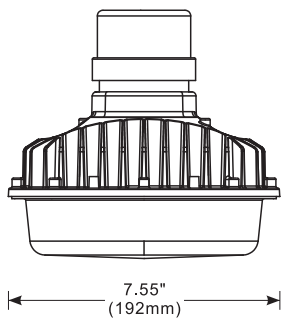
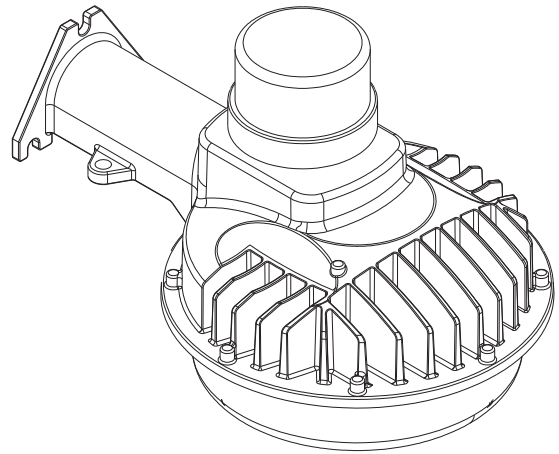
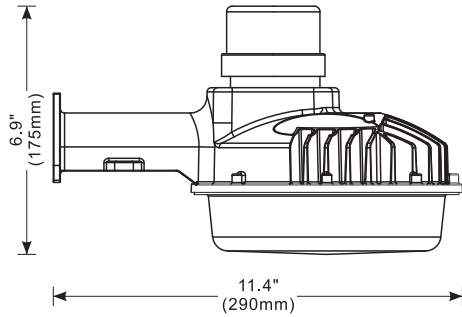
► Luminaire is electrostatically coated with UV stabilized powder coat providing years of worry-free service.

Ordering information

Model No.	System Watts	Input Voltage	CRI	Color Temp	Lumen Output	Equivalent	Starting Temp
ML-WM-2725-40W-5K-UV	40W	120-277V	70+	5000 K	4805 lm** 4876 lm**	150WMH	-40°C

* DISCLAIMER: This test report was produced in accordance with IES LM-79 photometric testing protocol for luminaires, using a single representative test fixture. Actual production units may vary from the values reported here by up to ±10%.

Product Dimensions



Available Mounting Options



Photo Control



Aluminum anodized arm