



WARNING: THE FAILURE TO FOLLOW THESE INSTRUCTIONS WHEN INSTALLING THE PRODUCT MAY CAUSE ELECTRIC PROBLEMS IN YOUR VEHICLE WHICH COULD CAUSE VEHICLE DAMAGE, ELECTRICAL SYSTEM DAMAGE, FIRE, ELECTRICAL SHOCK, PERSONAL INJURY OR DEATH.

WARNING: DO NOT LOOK DIRECTLY INTO THE PRODUCT. DO NOT DRIVE OR POSITION YOUR VEHICLE NEAR ONCOMING TRAFFIC WHEN THE PRODUCT IS POWERED ON – DOING SO MAY RESULT IN VISION IMPAIRMENT AND OR VEHICULAR COLLISION. THE INTENDED USE OF THE PRODUCT IS TO PROVIDE EXTERIOR AUXILIARY LIGHTING FOR OFF ROAD USE ONLY. THIS PRODUCT IS NOT DOT APPROVED.

YOU MUST CONSULT YOUR VEHICLE OWNER'S MANUAL TO DETERMINE THE LOCATION OF AIRBAG SENSORS BEFORE INSTALLATION. THE MANUFACTURER OR THE RETAILER IS NOT RESPONSIBLE FOR INFLATION OF AIRBAGS OR DAMAGE TO AIRBAG SENSORS DUE TO THE INSTALLATION OF THIS PRODUCT.

INSTALLATION GUIDELINE

WARNING: SAFETY GLASSES MUST BE USED WHEN INSTALLING THIS PRODUCT.

The product is an exterior auxiliary light designed to provide auxiliary lighting while driving off road. The product has a distinct amperage draw below in the installation instructions. If you are not confident in your ability to install the product please consult a licensed mechanic.

The product has specific voltage and amperage ratings for power input and amperage draw. ENSURE THESE RATINGS ARE FOLLOWED. The product must be installed in a properly functioning vehicle electrical system. Do not install this product in a malfunctioning vehicle electrical system.

Select a mounting location that will not obstruct the operation of instruments.

Clean mounting surfaces with isopropyl alcohol (70%) and wait for the surface to dry before proceeding.

Before permanently mounting to vehicle, test fit to ensure wiring is long enough to be safely installed and does not obstruct any operating functions of the vehicle. These lights should not be installed where their operation hinders the visibility of the driver or other drivers.

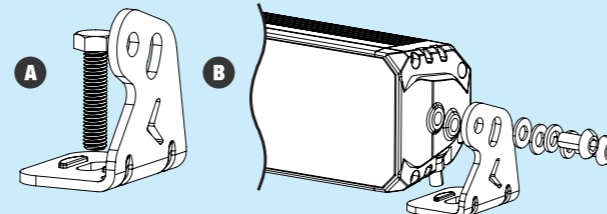
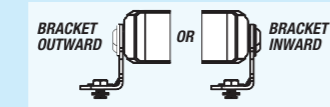
WARNING: DURING OPERATION LIGHTING UNITS CAN GET HOT - DO NOT TOUCH WHILE OPERATIONAL OR WITHIN 30 MINUTES OF POWERING DOWN.

Before disconnecting battery terminals, please check your owner's manual for proper procedure.

WARNING: Cancer and Reproductive Harm - www.P65Warnings.ca.gov

1. ASSEMBLY

ATTACH MOUNTING BRACKETS AS SHOWN:



- A) ALIGN THE HOLE IN THE BODY OF THE BAR WITH THE HOLE IN THE MOUNTING BRACKET - THE "FOOT" OF THE BRACKET CAN FACE EITHER TOWARDS OR AWAY FROM THE CENTER OF THE BAR OPENING DEPENDENT UPON MOUNTING SURFACE PREFERENCE.
- B) USING THE SHORT SCREWS, FLAT WASHERS, AND LOCK WASHERS TO ATTACH THE BRACKET TO THE BODY OF THE BAR - LEAVE SLIGHTLY LOOSE UNTIL THE LIGHT IS PROPERLY AIMED THEN TIGHTEN. ATTACH THE REMAINING BRACKET TO THE OTHER SIDE.

2. MOUNTING

MOUNT THE BAR TO THE DESIRED MOUNTING LOCATION. CLEAN THE SURFACE OF ALL CONTAMINANTS BEFORE BOLTING ON THE BRACKETS.

- A) THREAD THE LONG BOLT THROUGH THE HOLE IN THE BRACKET FEET AND THROUGH THE MOUNTING SURFACE USING THE FLAT WASHER AND LOCKING WASHER TO SECURE THE BRACKET TO THE BAR.

As Per J581 Section 3.1 AUXILIARY HIGH BEAM LAMP
"Intended to supplement the high beam of a standard headlamp system. It is not intended for use alone or with the lower beam of a standard headlamp system. An auxiliary high beam lamp may also be known as an auxiliary upper beam lamp or auxiliary driving lamp." See fig. 2



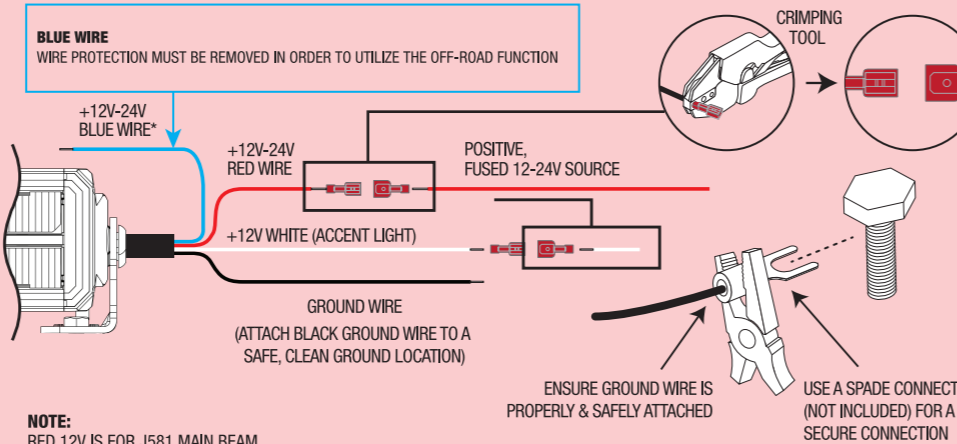
3. WIRING

MAX. POWER REQUIREMENTS SEE FIGURE 3

- A) ATTACH POSITIVE WIRE (RED OR WHITE) SECURELY TO A 12-24V FUSED POWER SOURCE. EXTENSION OF THE WIRING MAY BE NECESSARY DEPENDING ON LOCATION OF THE UNIT RELATIVE TO THE POWER SOURCE. CAN BE WIRED INTO A RELAY HARNESS (SEE FIGURE 1) OR A SWITCH THAT WILL SUPPORT THE ABOVE MAX POWER REQUIREMENTS. SPLICE THE RED WIRE FROM THE LIGHT FOR MAIN BEAM AND THE WHITE WIRE FOR ACCENT LIGHT. USE SUPPLIED CRIMP CONNECTOR FOR SECURE POSITIVE CONNECTION.

- B) ATTACH BLACK GROUND WIRE TO A SAFE, CLEAN GROUND LOCATION. EXAMPLE OF CLEAN GROUND LOCATION: CHASSIS BOLT OR FRAME BOLT.

- C) ENSURE ALL WIRING IS SECURE AND TUCKED AWAY FROM ANY HEAT SOURCES OR MOVING PARTS.



NOTE:
RED 12V IS FOR J581 MAIN BEAM
WHITE 12V IS FOR ACCENT LIGHT
*BLUE 12V IS FOR OFF-ROAD LIGHT (MUST BE COMBINED WITH RED WIRE IN ORDER TO FUNCTION)

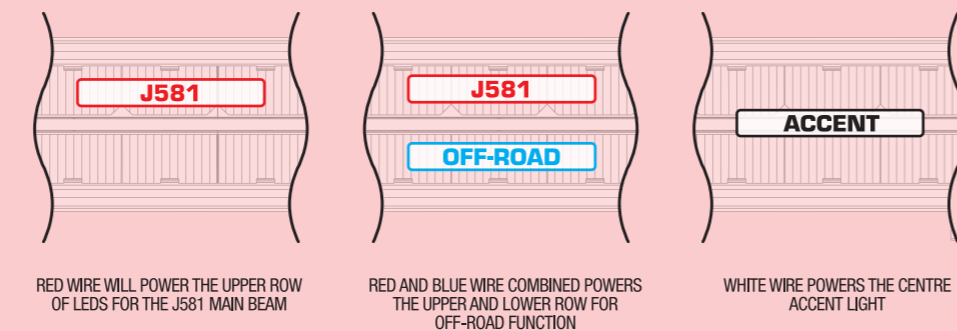
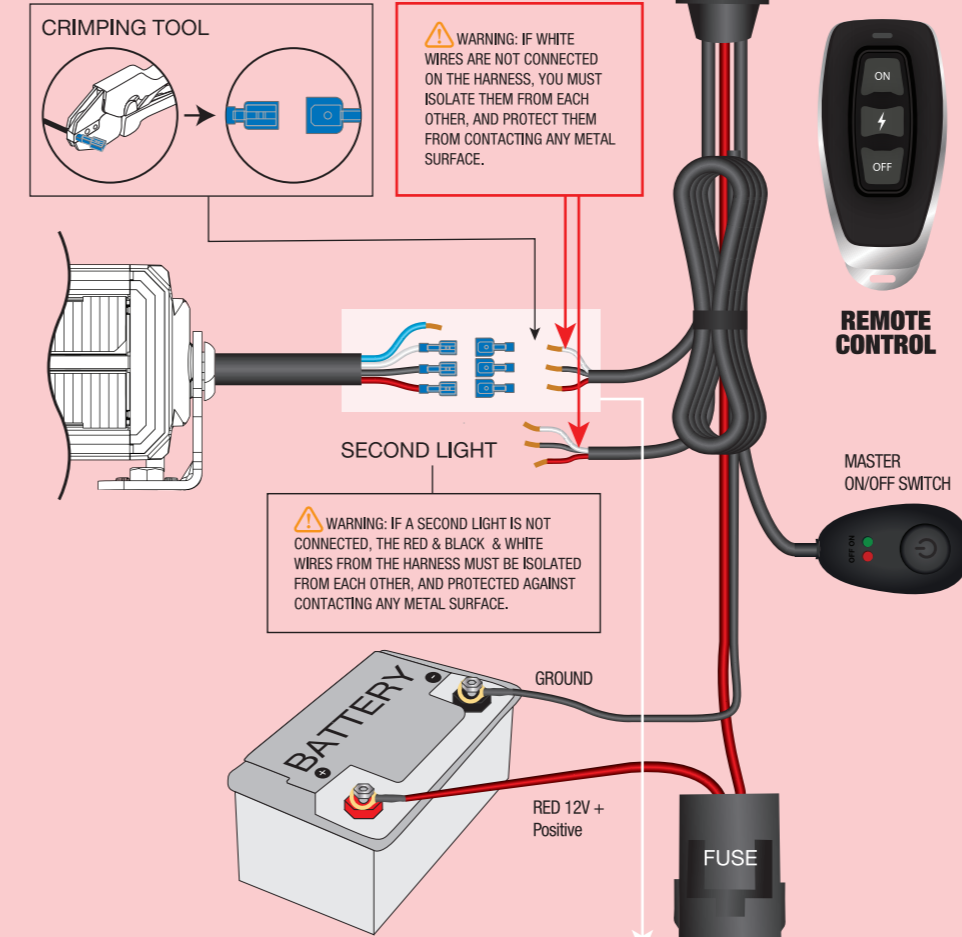


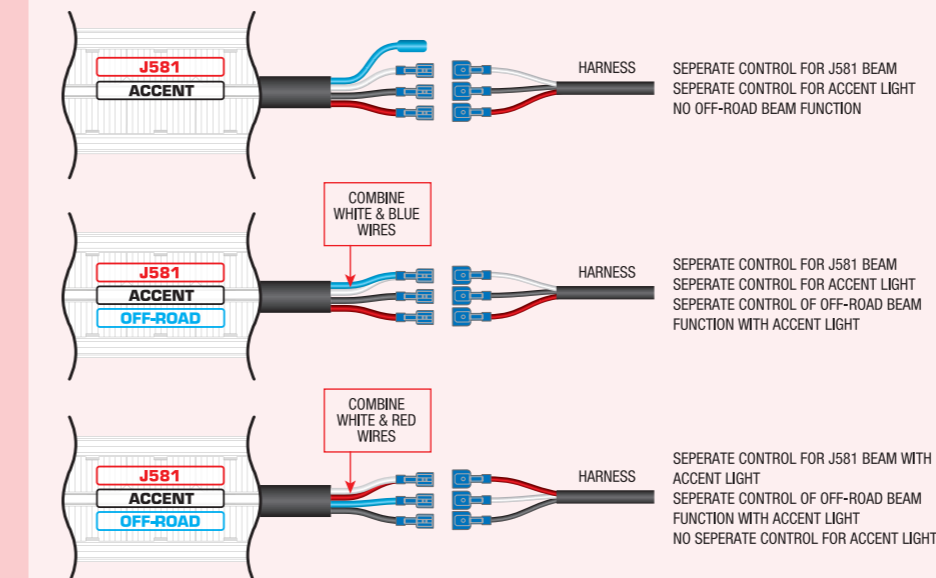
FIGURE 1. FULL WIRING DIAGRAM

Wireless Install Kit

Used for Demonstration, not included.
Item #78391 FCC ID:2AMN5-78391



WIRING CONFIGURATIONS & FUNCTIONS



4. AIMING & OPERATION

- A) ADJUST THE ANGLE OF THE LED BAR SO THAT THE LIGHT OUTPUT IS EVEN AND STRAIGHT. THE BAR ADJUSTS IN 10 DEGREE INCREMENTS.
- B) TIGHTEN THE BOLTS ON EACH SIDE TO LOCK IN THE AIMING ANGLE.

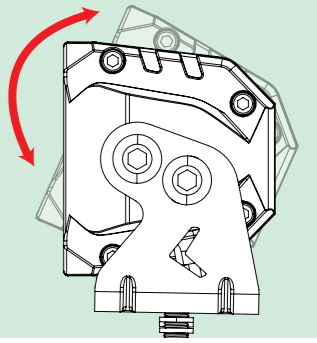


FIGURE 2. AIMING AND MOUNTING [J581]

ON THE WALL, DRAW A LINE FROM THE GROUND TO THE APPROXIMATE CENTER POINT OF THE HEADLIGHT. REPEAT FOR THE OTHER LIGHT. THIS WILL CREATE YOUR Y AXIS LINES.



FIGURE 3. MAXIMUM POWER REQUIREMENT CHART

PART #	PRODUCT NAME	VOLTAGE	Amp @ 12V DC	Watts @ 12V DC
78392	TrekTec POD XL6P	12-24V DC	2.05A	24.6W
71108	TrekTec Bar D12P	12-24V DC	4.2A	50.4W
71093	TrekTec Bar D17P	12-24V DC	4.85A	58.2W
71094	TrekTec Bar D22P	12-24V DC	8.33A	100W
71095	TrekTec Bar D32P	12-24V DC	12.7A	152.4W
71099	TrekTec Bar S14P	12-24V DC	5.83A	70W
71100	TrekTec Bar S22P	12-24V DC	5.84A	70W
71101	TrekTec Bar S32P	12-24V DC	8.33A	100W

WARNING: DO NOT install or use this product if it, in any way, impairs the safe operation of your vehicle. Follow all instructions to ensure the product is properly and safely installed. Neither the manufacturer nor the retailer can be held responsible or liable for consequential, incidental, or indirect damages, either personal or property resulting from the installation or improper use of this product. This product is not DOT approved. **OFF ROAD USE ONLY. (In states where street legal use is permitted, the wiring instructions and warnings provided on the lightbar MUST BE STRICTLY FOLLOWED! CHECK YOUR STATE LAW BEFORE INSTALLING).**

ALPENA® LIMITED WARRANTY

This Limited Warranty covers defects in materials or workmanship of this product for one (1) year from the date of purchase. Normal wear and tear over time are not product defects. Product problems caused by not following the product instructions, abuse, misuse, alteration, accident and/or use beyond the product's intended purpose are not covered. This warranty is valid for the original owner and is not transferable. Proof of purchase is required.

Any implied warranties and conditions, such as merchantability and fitness for a particular purpose are hereby excluded, or if not excludable under law, are limited to one (1) year period. Some jurisdictions do not allow limitations on how long an implied warranty lasts, so this limitation may not apply to you

NO INCIDENTAL, CONSEQUENTIAL OR SPECIAL DAMAGES ARE RECOVERABLE. SOME JURISDICTIONS DO NOT ALLOW THE EXCLUSION OF INCIDENTAL, CONSEQUENTIAL OR SPECIAL DAMAGES, SO THE ABOVE LIMITATION OR EXCLUSION MAY NOT APPLY TO YOU. THIS WARRANTY GIVES YOU SPECIFIC LEGAL RIGHTS AND YOU MAY HAVE OTHER RIGHTS WHICH VARY DEPENDING ON THE JURISDICTION.

We will replace any product we determine to be defective provided you follow our product return directions. Please note that replacement product may not be exact due to style changes to our products. We will cover the mailing expense to send you a replacement product. However, mailing costs to return to us the original product which is claimed to be defective must be paid by you. If a replacement product is not available at the time you submit your warranty request, we will issue a credit.

For warranty service, please see below.

NORTH AMERICAN SUPPORT AVAILABLE



@AlpenaAutomotive
1-800-387-3217