

# ALPENA LED Whip Light RGBIC Multicolor - Britewhip Flo

PART #: 78236

**WARNING:** THE FAILURE TO FOLLOW THESE INSTRUCTIONS WHEN INSTALLING THE LED WHIP LIGHT RGBIC - MULTICOLOR - BRITEWHIP FLO MAY CAUSE ELECTRIC PROBLEMS IN YOUR VEHICLE WHICH COULD CAUSE VEHICLE DAMAGE, ELECTRICAL SYSTEM DAMAGE, FIRE, ELECTRICAL SHOCK, PERSONAL INJURY OR DEATH.

**WARNING:** DO NOT LOOK DIRECTLY INTO THE LED WHIP LIGHT RGBIC - MULTICOLOR - BRITEWHIP FLO. DO NOT DRIVE OR POSITION YOUR VEHICLE NEAR ONCOMING TRAFFIC WHEN THE LED WHIP LIGHT RGBIC - MULTICOLOR - BRITEWHIP FLO IS POWERED ON – DOING SO MAY RESULT IN VISION IMPAIRMENT AND OR VEHICULAR COLLISION. THE INTENDED USE OF THE LED WHIP LIGHT RGBIC - MULTICOLOR - BRITEWHIP FLO IS TO PROVIDE EXTERIOR AUXILIARY AND OR POSITION LIGHTING FOR OFF ROAD USE ONLY. THIS PRODUCT IS NOT DOT APPROVED.

YOU MUST CONSULT YOUR VEHICLE OWNER'S MANUAL TO DETERMINE THE LOCATION OF AIRBAG SENSORS BEFORE INSTALLATION. THE MANUFACTURER OR THE RETAILER IS NOT RESPONSIBLE FOR INFLATION OF AIRBAGS OR DAMAGE TO AIRBAG SENSORS DUE TO THE INSTALLATION OF THIS PRODUCT.

## INSTALLATION GUIDELINE

**WARNING:** SAFETY GLASSES MUST BE USED WHEN INSTALLING THIS PRODUCT.

LED Whip Light RGBIC - Multicolor - Britewhip Flo is an auxiliary and or position light designed to provide exterior auxiliary, position and accent lighting while driving off road. LED Whip Light RGBIC - Multicolor - Britewhip Flo has a distinct amperage draw below in the installation instructions. If you are not confident in your ability to install the LED Whip Light RGBIC - Multicolor - Britewhip Flo please consult a licensed mechanic.

LED Whip Light RGBIC - Multicolor - Britewhip Flo has specific voltage and amperage ratings for power input and amperage draw. ENSURE THESE RATINGS ARE FOLLOWED. The LED Whip Light RGBIC - Multicolor - Britewhip Flo must be installed in a properly functioning vehicle electrical system. Do not install this product in a malfunctioning vehicle electrical system.

Select a mounting location that will not obstruct the operation of instruments.

Clean mounting surfaces with isopropyl alcohol (70%) and wait for the surface to dry before proceeding.

Before permanently mounting to vehicle, test fit to ensure wiring is long enough to be safely installed and does not obstruct any operating functions of the vehicle. These lights should not be installed where their operation hinders the visibility of the driver or other drivers

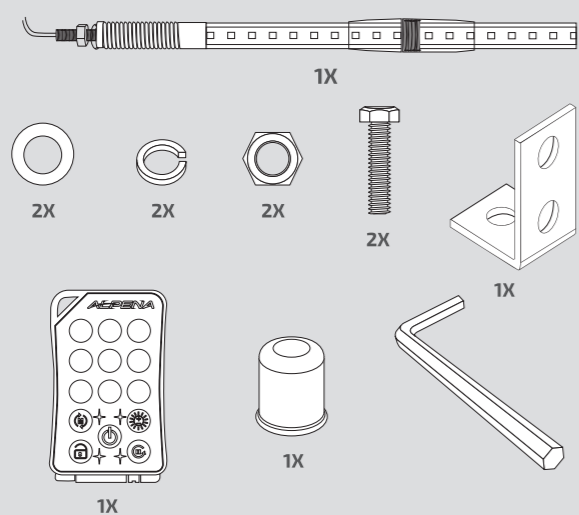
**WARNING:** DURING OPERATION LIGHTING UNITS CAN GET HOT - DO NOT TOUCH WHILE OPERATIONAL OR WITHIN 30 MINUTES OF POWERING DOWN.

You must consult your vehicle owner's manual to determine the location of airbag sensors before installation. The manufacturer or the retailer is not responsible for inflation of airbags or damage to airbag sensors due to the installation of this product.

Before disconnecting battery terminals, please check your owner's manual for proper procedure.

**WARNING:** Cancer and Reproductive Harm - www.P65Warnings.ca.gov

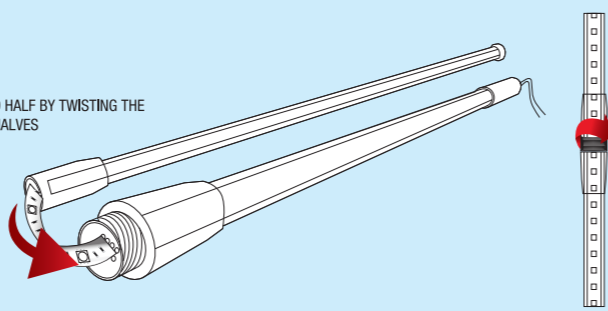
## GET STARTED PACKAGE CONTENTS



**WARNING**  
BE SURE TO USE SAFETY GLASSES AT ALL TIMES WHEN INSTALLING THIS PRODUCT.

## 1. ASSEMBLY

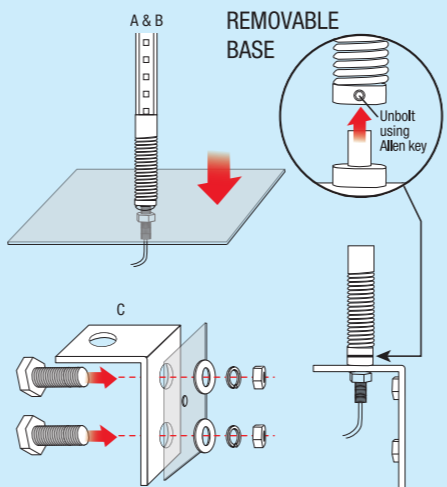
ATTACH THE BASE OF THE WHIP TO THE SECOND HALF BY TWISTING THE THREADS TOGETHER GENTLY, ENSURING BOTH HALVES ARE SECURELY ATTACHED



## 2. MOUNTING

MOUNT THE UNIT TO THE DESIRED MOUNTING LOCATION. IT IS RECOMMENDED TO CLEAN THE SURFACE OF ALL CONTAMINANTS PRIOR TO DRILLING ANY HOLES OR MOUNTING.

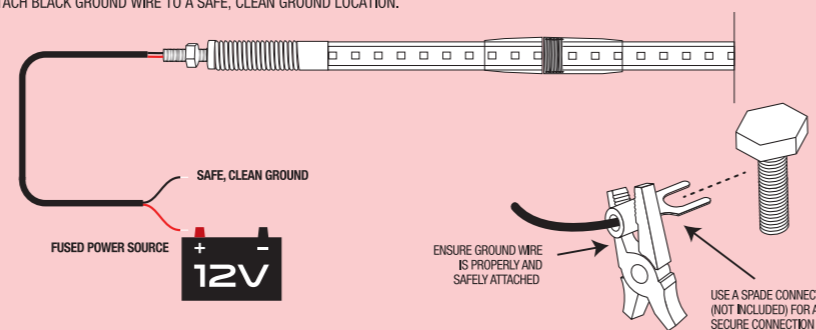
- IF THE DESIRED SURFACE HAS AN ADEQUATE MOUNTING HOLE, PLACE THE UNIT FLUSH WITH THE SURFACE, THREADING THE MOUNTING BOLT IN THE BRACKET THROUGH THE HOLE AND THEN TIGHTEN WITH INCLUDED WASHERS AND NUT
- DRILL A 3/8" OR 10MM HOLE IN THE SELECTED MOUNTING LOCATION IF THERE IS NO EXISTING HOLE. PLACE THE UNIT FLUSH WITH THE SURFACE, THREADING THE MOUNTING BOLT IN THE BRACKET THROUGH THE HOLE AND THEN TIGHTEN WITH INCLUDED WASHERS AND NUT
- IF YOU WISH TO MOUNT THE UNIT USING THE OFFSET L-BRACKET, DRILL 3/8" OR 10MM HOLES TO MOUNT THE BRACKET TO THE SURFACE. THREAD THE MOUNTING BOLTS THROUGH THE BRACKET AND THE SURFACE. TEST FIT THE PLACEMENT BY THREADING THE BASE OF THE WHIP LIGHT THROUGH THE BRACKET. IF FITMENT IS SUITABLE AND DOES NOT INTERFERE WITH ANY FUNCTIONS OF THE VEHICLE, TIGHTEN THE BRACKET INTO PLACE AND THEN TIGHTEN THE WHIP INTO PLACE



## 3. WIRING

POWER REQUIREMENTS 2A @ 12V DC

- ATTACH POSITIVE WIRE SECURELY TO A 12V FUSED POWER SOURCE. EXTENSION OF THE WIRING MAY BE NECESSARY. CAN BE WIRED INTO A SWITCH THAT WILL SUPPORT 2A @ 12V DC
- ATTACH BLACK GROUND WIRE TO A SAFE, CLEAN GROUND LOCATION.

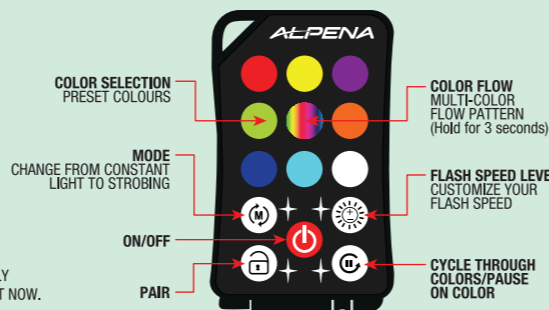


## 4. OPERATION

THE PODS CAN BE OPERATED WITH OR WITHOUT THE VEHICLE RUNNING - FOLLOW THE DIAGRAM TO OPERATE THE INCLUDED REMOTE

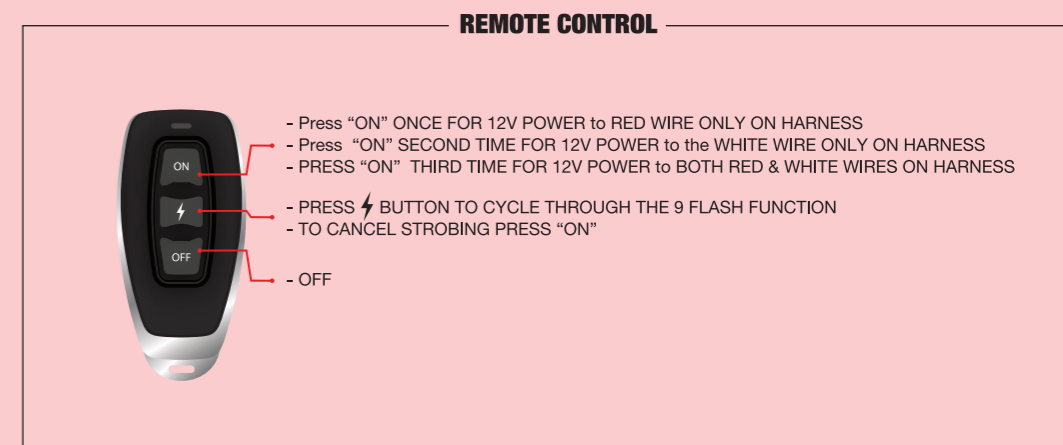
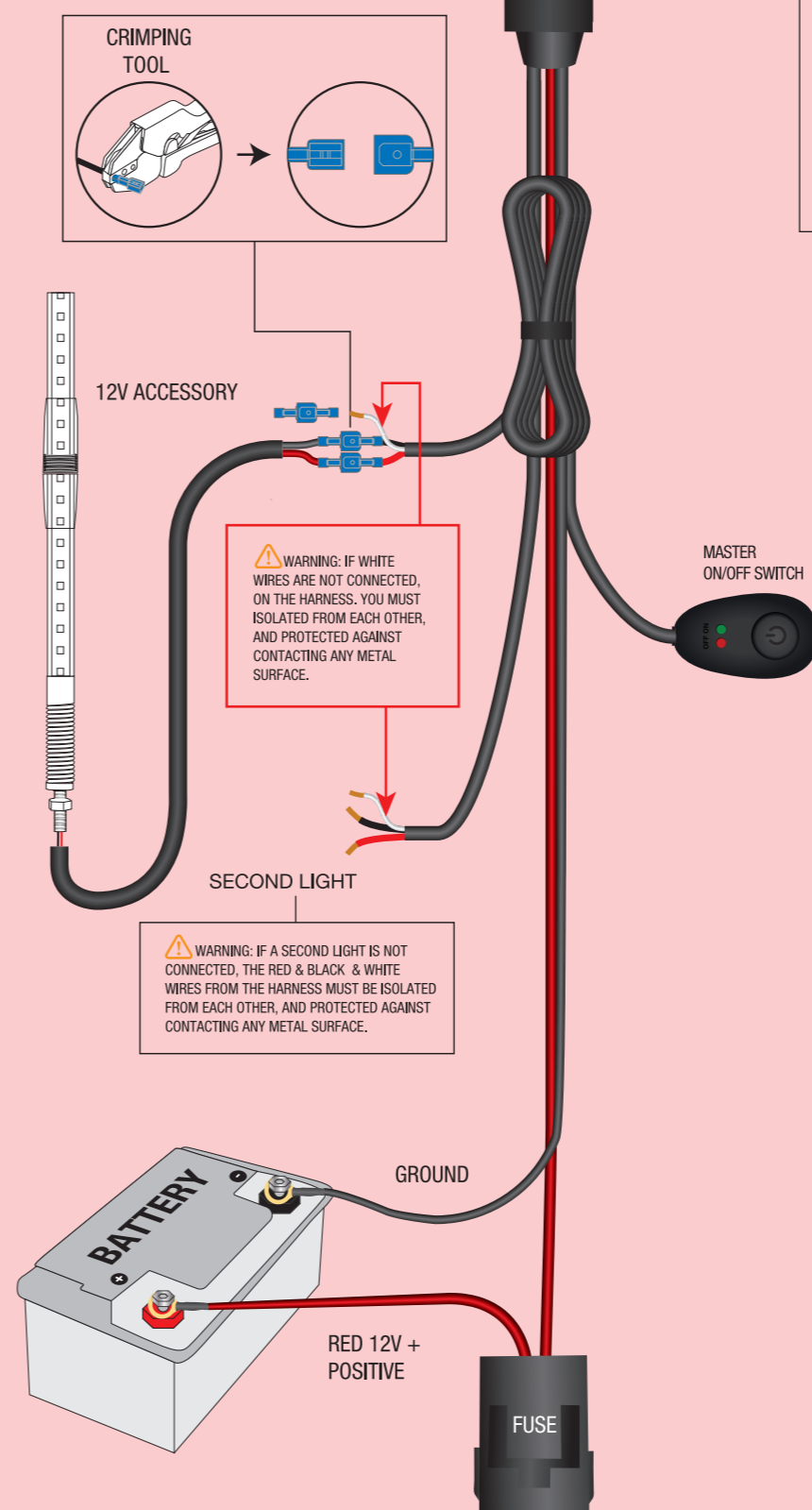
**PAIR FUNCTION** (FOR NEW OR EXTRA REMOTES)

**ADD AND SYNC REMOTE**  
PRESS THE "PAIR" BUTTON, THEN POWER ON THE WHIP LIGHT, HOLD THE "PAIR" BUTTON, ALL LEDS WILL TURN BRIGHT GREEN AND FLASH 3 TIMES TO INDICATE THE REMOTE IS SUCCESSFULLY PAIRED TO THIS KIT - ONLY THIS REMOTE WILL OPERATE THE KIT NOW.



## FIGURE 1. RELAY WIRING DIAGRAM

**InstallKit Plus**  
Used for Demonstration, not included.  
Item #77631



**Federal Communications Commission (FCC) Interference Statement**  
This equipment has been tested and found to comply with the limits for a Class B digital device, pursuant to Part 15 of the FCC Rules.

These limits are designed to provide reasonable protection against harmful interference in a residential installation. This equipment generates, uses and can radiate radio frequency energy and, if not installed and used in accordance with the instructions, may cause harmful interference to radio communications.

There is no guarantee that interference will not occur in a particular installation. If this equipment does cause harmful interference to radio or television reception, which can be determined by turning the equipment off and on, the user is encouraged to try to correct the interference by one of the following measures:

- Reorient or relocate the receiving antenna.
- Increase the separation between the equipment and receiver.
- Connect the equipment into an outlet on a circuit different from that to which the receiver is connected.
- Consult the dealer or an experienced radio/TV technician for help.

This device complies with Part 15 of the FCC Rules. Operation is subject to the following two conditions:  
(1) This device may not cause harmful interference, and (2) this device must accept any interference received, including interference that may cause undesired operation.

FCC Caution: Any changes or modifications not expressly approved by the party responsible for compliance could void the user's authority to operate this equipment.

### RF exposure warning

This equipment complies with FCC radiation exposure limits set forth for an uncontrolled environment. The equipment must not be co-located or operating in conjunction with any other antenna or transmitter.

### ALPENA® LIMITED WARRANTY

This Limited Warranty covers defects in materials or workmanship of this product for one (1) year from the date of purchase. Normal wear and tear over time are not product defects. Product problems caused by not following the product instructions, abuse, misuse, alteration, accident and/or use beyond the product's intended purpose are not covered. This warranty is valid for the original owner and is not transferable. Proof of purchase is required.

Any implied warranties and conditions, such as merchantability and fitness for a particular purpose are hereby excluded, or if not excludable under law, are limited to one (1) year period. Some jurisdictions do not allow limitations on how long an implied warranty lasts, so this limitation may not apply to you

NO INCIDENTAL, CONSEQUENTIAL OR SPECIAL DAMAGES ARE RECOVERABLE. SOME JURISDICTIONS DO NOT ALLOW THE EXCLUSION OF INCIDENTAL, CONSEQUENTIAL OR SPECIAL DAMAGES, SO THE ABOVE LIMITATION OR EXCLUSION MAY NOT APPLY TO YOU. THIS WARRANTY GIVES YOU SPECIFIC LEGAL RIGHTS AND YOU MAY HAVE OTHER RIGHTS WHICH VARY DEPENDING ON THE JURISDICTION.

We will replace any product we determine to be defective provided you follow our product return directions. Please note that replacement product may not be exact due to style changes to our products. We will cover the mailing expense to send you a replacement product. However, mailing costs to return to us the original product which is claimed to be defective must be paid by you. If a replacement product is not available at the time you submit your warranty request, we will issue a credit.

For warranty service, please see below.

Marklyn Group Inc. 753011 2nd line EHS Mono, ON, Canada L9W 5W4  
Alpena® is a registered trademark of Marklyn Group Inc. © Copyright 2023  
Made in China

**NORTH AMERICAN SUPPORT AVAILABLE** @AlpenaAutomotive 1-800-387-3217