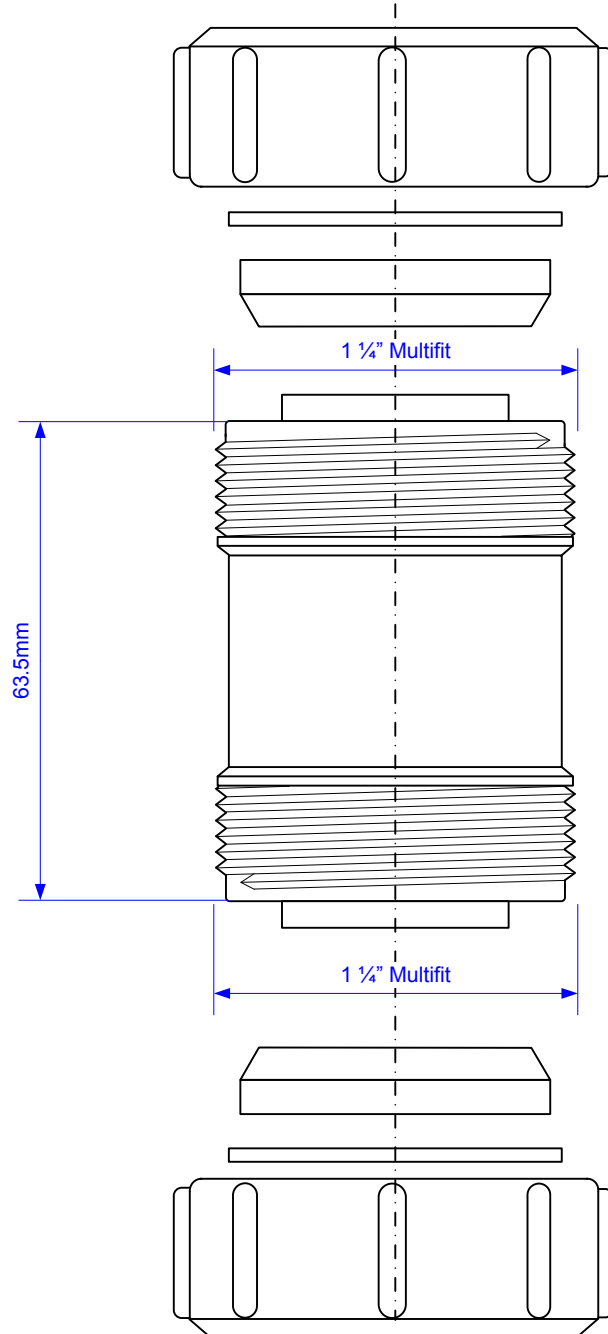


Code:

# S28M



© McALPINE  
02/12/2004

DRAWN BY

CM

REVISED

SCALE

1: 1

FILENAME

S28M.VSD

DATE

02/12/2004