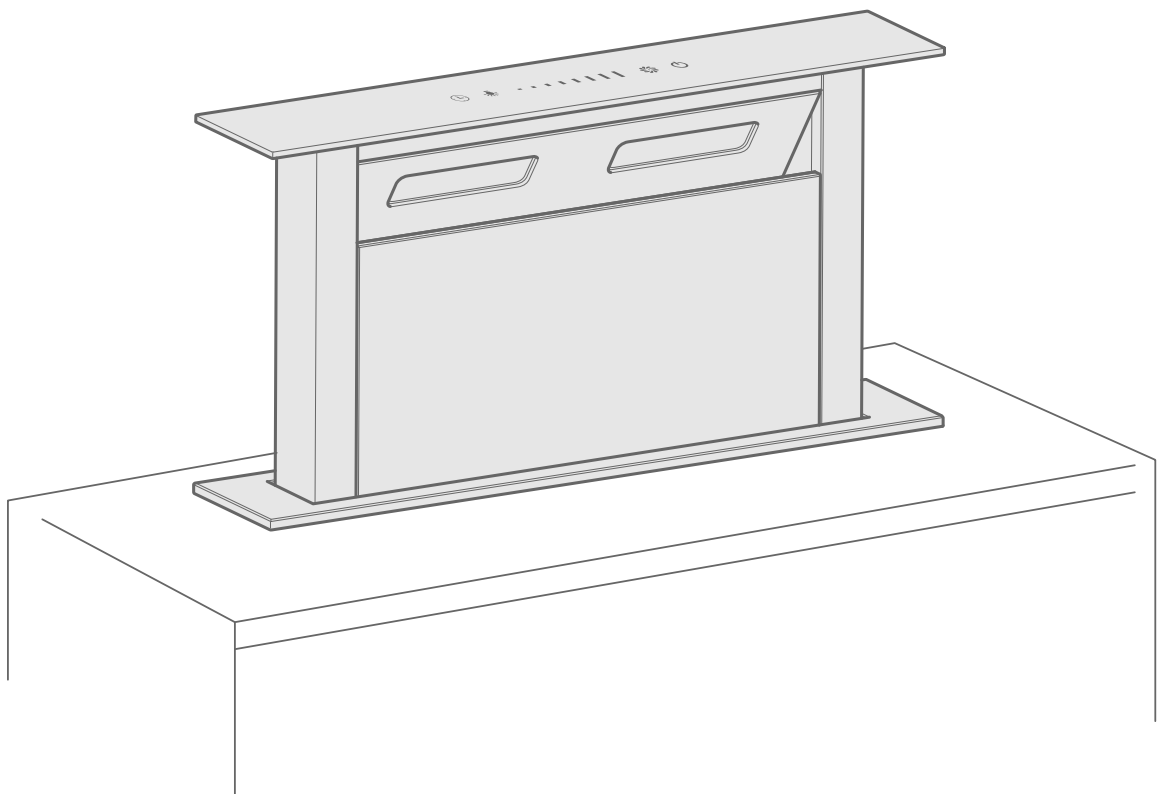


linarie

# MARSEILLE

Downdraft rangehood RAHP9X



**EN** Operation, Installation  
& Instruction Manual

[www.linarie.com.au](http://www.linarie.com.au)

Register  
your  
product  
online

# CONGRATULATIONS

Congratulations and thank you for choosing Linärie to introduce a new comfort of cooking in your home. We are sure you will find your new appliance a pleasure to use and a great asset to your kitchen.

This appliance complies with all relevant safety requirements in Australia. Inappropriate use can, however, lead to personal injury and damage to property.

In order to operate the unit correctly and safely, please read this instruction manual carefully before installation and usage. This user manual which provides you with all required instructions related to safety, installation, use and maintenance of the appliance.

For future reference, please store this booklet in a safe place and ensure that all users are familiar with the contents. Pass them on to any future owner of the appliance.

Record Model & Serial Number

Model:.....

Serial Number .....


Register your product [www.linarie.com.au](http://www.linarie.com.au)

## IMPORTANT

Adherence to the directions for use in this manual is extremely important for health and safety. Failure to strictly adhere to the requirements in this manual may result in personal injury, property damage and affect your ability to make a claim under Linärie's manufacturer's warranty provided with your product. Products must be used, installed and operated in accordance with this manual. You may not be able to claim on Linärie's manufacturer's warranty in the event that your product fault is due to failure to adhere this manual.

### Correct Conditions of Use

- The appliance is intended for use in the home and similar environments only. It is not intended for commercial use.
- The appliance is not suitable for outdoor use, non-stationary installation (e.g. on ships, vehicles), or heating rooms.
- It must only be used to extract vapors and remove odors from cooking. Any other usage is at the owner's risk.
- Where a recirculation rangehood is fitted above a gas cooktop, please ensure that there is an adequate supply of fresh air into the room in which it is installed. Please seek the advice of a qualified gas fitter if necessary.

 Linärie does not assume any liability for damage arising from non-adherence to these documents and from improper assembly. The electricity connection must be made by a qualified specialist. Installation must comply with the valid standards, regulations and laws. All safety and warning information and the operating and installation instructions must be complied with.

## TABLE OF CONTENTS

<b>1. General Information</b> .....	03	<b>6. Operation</b> .....	08
1.1 Appliance information		6.1 Control panel and function keys	
<b>2. General Safety Instructions</b> .....	03	6.2 Energy saving tips .....	9
2.1 General safety information		<b>7. Troubleshooting</b> .....	9
2.2 Safety instruction - Installation		<b>8. Cleaning and maintenance</b> .....	10
2.3 Exhaust air Operation .....	04	8.1 Stainless steel	
2.4 Correction use & Operation		8.2 Control panel	
2.5 Disassembling and Disposal		8.3 Cleaning agents	
of the Appliance .....	05	8.4 Aluminum grease filter	
2.6 Accessories and Spare parts		8.5 Removing the aluminum glass filter	
<b>3. Description of the Functions</b> .....	05	8.6 Activated carbon filter .....	11
3.1 Air extraction mode		8.7 Replacing lamps	
3.2 Recirculation mode		<b>9. Environmental tips</b> .....	12
3.3 Guide to the appliance		<b>10. Warranty and After sales service</b>	
<b>4. Technical data sheet</b> .....	06		
<b>5. Installation</b> .....	06		
5.1 Pre-installation			
5.2 Safety distance			
5.3 Installation {Air extraction} .....	08		


Additional information on products, accessories, warranty, replacement parts and services can be found at [www.linarie.com.au](http://www.linarie.com.au)

# 1. GENERAL INFORMATION

## 1.1 Appliance Information

- A damaged appliance can be dangerous. If you find the appliance is damaged or marked, you must report it within 7 days if you wish to claim for damage/marks under the manufacturer's warranty. This does not affect your statutory rights. Do not use a damaged appliance.
- The manufacturer's warranty will be invalidated if the appliance is not repaired by a Linärie approved service technician.
- Faulty components must only be replaced by genuine Linärie spare parts. The manufacturer can only guarantee the safety of the appliance when Linärie replacement parts are used.
- If the power cord is damaged, it must only be replaced by a Linärie authorized service technician or suitably qualified electrician in order to avoid a hazard.
- Linärie cannot be held liable for noncompliance with these instructions, resulting from incorrect or improper use or operation.

# 2. GENERAL SAFETY INSTRUCTIONS

 The appliance complies with the stipulated safety requirements in Australia. The user is responsible for appliance cleaning and maintenance as well as its safe use. Improper use can lead to personal injury and damage to property.

## 2.1 General Safety Instructions

### Children and People with Special Needs

#### WARNING

This appliance is not intended for use by persons (including children) with reduced physical, sensory or mental capabilities, or lack of experience and knowledge, unless they have been given supervision or instruction concerning use of the appliance by a person responsible for their safety.

- The appliance is NOT suitable for use by children without supervision.
- Young children should be supervised near the appliance to ensure they do not play with this appliance.
- Children may be able to wrap themselves in packing material or pull it over their heads with the risk of suffocation. Keep children away from any packing material.

### Unauthorized Modifications

Unauthorised modifications can cause the appliance to pose risks. Do not conduct any modifications to the appliance.

### Cleaning & Maintenance

The device must be cleaned regularly. Dirt can lead to damage or the buildup of odors. (See "Cleaning and maintenance" section).

- Always clean the appliance exactly as indicated in the operating instructions.
- Always ensure the appliance is switched off before cleaning or replacing parts.
- Clean the appliance immediately after any food spillage and the filter regularly to keep the appliance working efficiently.
- There is a risk of fire if cleaning is not carried out as described in these operating instructions.
- Make sure no water penetrates inside the device when cleaning. Do not use a steam cleaning appliance to clean this appliance. The steam could reach electrical components and cause a short circuit.
- In areas which may be subject to infestation by cockroaches or other vermin, pay particular attention to keeping the machine and its surroundings in a clean condition at all times. Any damage which may be caused by cockroaches or other vermin will not be covered by the machine warranty.

## 2.2 Safety Instructions - Installation


#### WARNING

The appliance must only be installed and assembled by trained specialists who are familiar with and comply with the standard national regulations and supplementary regulations of ventilation systems.

- In order to avoid any potential hazard, the installation instructions must be followed.
- Observe all regional regulations for the installation of ventilation systems.
- During installation, maintenance and repair work, the appliance must be disconnected from the mains electricity supply. It is only completely isolated from the electricity supply when:
  - the mains circuit breaker is switched off, or
  - it is switched off at the wall socket and the plug is withdrawn from the socket.
- Do not pull the mains connection cable but the mains plug to disconnect your appliance from the mains electricity supply.
- If the rangehood is used with cookers that burn gas or other fuels, there must be adequate ventilation in the room.
- Insufficient distance between the cooktop and the rangehood can result in damage to the rangehood.

- Ensure that all specified vents, openings and airspaces are not blocked.
- All ducting, pipework and fittings must be of non-flammable material.
- The appliance must not be connected to a chimney or vent flue which is in current use for exhausting fumes from appliances burning gas or other fuels. Neither should it be connected to ducting which ventilates rooms with fireplaces. (See "Exhaust Air Operation" section).
- Do not connect the appliance to the mains electricity supply by a multi-socket unit or an extension lead. Extension leads are a fire hazard and do not guarantee the required safety of the appliance.
- Tampering with electrical connections or components and mechanical parts is highly dangerous to the user and can cause operational faults. Only open the housing as described in the instructions given in "Installation" and in the "Cleaning & Maintenance" sections of this booklet. Under no circumstances should any other parts of the housing be opened.
- **THIS APPLIANCE MUST BE PROPERLY EARTHED.** It is most important that this basic safety requirement is present and tested regularly and, where there is any doubt, the household wiring system should be inspected by a qualified electrician.
- Linärie cannot be held liable for noncompliance with these instructions, resulting from incorrect or improper use or operation.

## 2.3 Exhaust Air Operation

 <b>WARNING</b>
<p>Danger of poisoning from recirculated exhaust gases! Do not operate the appliance in extract air mode if it is operated together with a room air-dependent fireplace and sufficient air circulation is not guaranteed.</p>

Safe operation is only possible if the negative pressure at the location of the fireplace does not exceed 4 Pa (0.04 mbar). This can be achieved if the air required for combustion can flow in through non-closable openings in doors and windows in conjunction with a supply air / exhaust air wall box. In any case, have a master chimney sweep advise you and assess the entire ventilation system of the house. If necessary, they can tell you the necessary measure for ventilation.

If the rangehood is used exclusively in recirculation mode, where the air is directed back into the room in which it is located, operating a heating appliance which depends on the room air at the same time is not hazardous.


Room air-dependent fireplaces such as gas, oil, wood or coal heaters, boilers or instantaneous water heaters draw the air from the room and lead it outdoors through an exhaust pipe or chimney. In extract air mode, air is extracted from the kitchen and neighbouring rooms. Without sufficient supply air, negative pressure is created. The heating appliance will be starved of oxygen, impairing combustion. Toxic gases from the chimney or exhaust pipe can be sucked back into the living rooms.

- Make sure that sufficient fresh air supply is guaranteed and that the air can circulate.
- A supply air/exhaust air wall box is not sufficient to ensure compliance with the limit value.

## 2.4 Correction Use & Operation

- For safety reasons, this appliance may only be used after it has been built in.
- Reliable and safe operation of this rangehood can only be assured if it has been connected to the mains electricity supply.
- Before using the appliance, ensure that all packaging materials are removed from the appliance and make sure that the connection data on the data plate [voltage (V) and frequency (Hz)] indicated on the rangehood correspond to the voltage and frequency of the power supply in your household. Consult a qualified electrician if in doubt.
- **DO NOT** use the rangehood without the filters in place. This way you will avoid the risk of grease and dirt getting into the appliance and hindering its smooth operation.
- Never use an open flame beneath the rangehood. To avoid the danger of fire, do not flambé or grill over an open flame. When switched on, the rangehood could draw flames into the filter. Fat deposits could ignite, presenting a fire hazard.
- **DO NOT** store or spray flammable materials in the appliance or near this appliance while it is in operation (e.g. aerosols).

- The rangehood can become damaged when exposed to excessive heat.
  - Select a pan which is suitable for the size of the burner.
  - Regulate the flame so that it does not burn up the sides of the pan.
  - Avoid overheating the pan (e.g. when cooking with a wok).
- Always switch the rangehood on when a cooking zone is in use, otherwise condensation may collect in the rangehood, which could cause corrosion. When cooking with oil or fat, chip pans and deep fat fryers etc., do not leave the pans unattended. Never leave an open grill unattended when grilling.
- Overheated oil and fat can ignite and could set the rangehood on fire.

 <b>CAUTION</b>
<p>The rangehood can get very hot during cooking due to heat rising from the cooktop. Do not touch the housing or the grease filters until the rangehood has cooled down.</p>

## 2.5 Disassembling and Disposal of the Appliance

(see the "Environmental Tips" section for best practices on disposing of this appliance).

The device must only be disassembled by trained specialists who are familiar with and comply with the standard national regulations and supplementary regulations of the local utility companies.

Work on electrical components must only be conducted by trained electrical personnel.

## 2.6 Accessories and Spare parts

Incorrect components can lead to personal injury or damage to the appliance. Only use original Linärie spare parts for repairs.

Modifications, additions or alterations to the appliance can lead to safety risks. If spare parts or accessories from other manufacturers are used, the warranty will be invalidated, and Linärie cannot accept liability.

Please check [www.linärie.com.au](http://www.linärie.com.au) for more information.

## 3. DESCRIPTION OF THE FUNCTIONS

Depending on the model of the rangehood, the following options are available:

### 3.1 Air extraction mode

The air is drawn in and cleaned by the grease filter and directed outside.

### 3.2 Recirculation mode

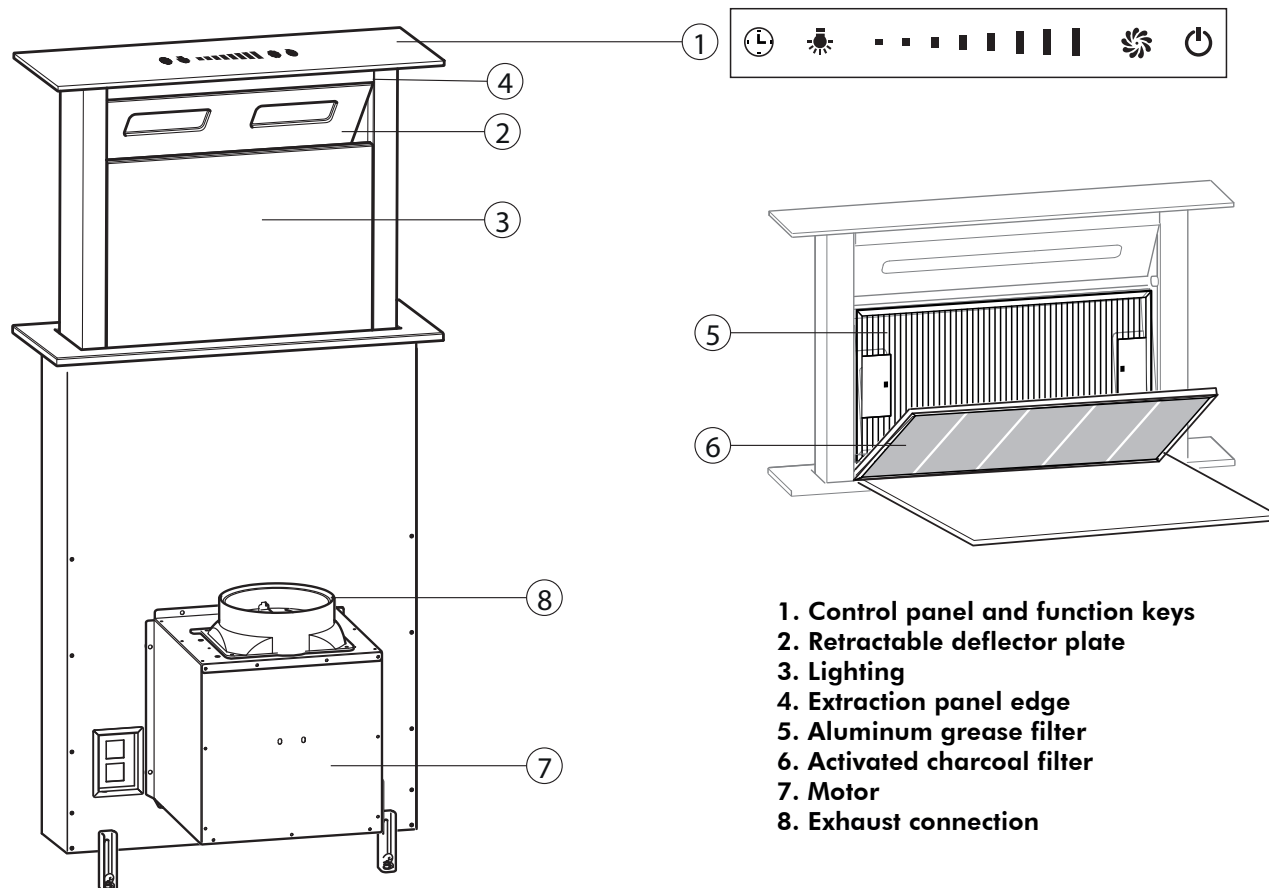
- The air is drawn in and cleaned first by the grease filter and then by a charcoal filter. The cleaned air is then recirculated back into the kitchen.
- When using recirculation mode, ensure a sufficient supply of fresh air, e.g. by opening a window.

### Non-return flap

The non-return flap is designed to prevent the exchange of room and outside air taking place. The flap is closed when the rangehood is switched off. When the rangehood is switched on, the non-return flap opens for the cooking vapors to be blown directly outside. If the on-site ventilation system does not have a non-return flap, the nonreturn flap supplied must be fitted.

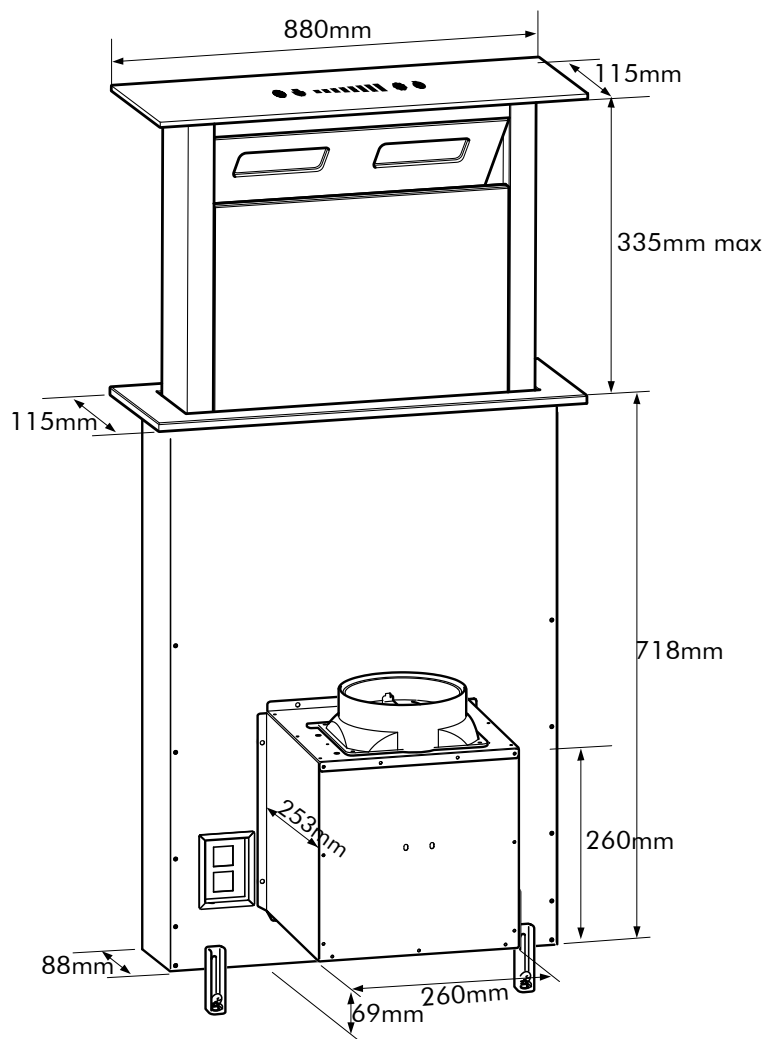
- Ensure a normal and comfortable room climate (humidity of 45–60%), e.g. by opening natural ventilation openings or using domestic ventilation systems.
- After every use in recirculation mode, switch the rangehood to a low level for about 15 minutes.

### 3.3 Guide to the appliance



## 4. TECHNICAL DATA SHEET

Parameter	Value
Power Supply Voltage	220-240V ~ 50Hz
Dimensions (width, depth x height)	90 x 11.5 x 105.3
Carton Size (width, depth x height)	98.5 x 52 x 84.5
Weight (incl. accessories / packaging)	37.5kg
Weight (NOT incl. accessories / packaging)	29.5 kg
<b>Rangehood</b>	
Power Levels	4 Speeds
Electronic Control	Slide control
Max. Air Extraction Power	700m <sup>3</sup> /h
Motor Power	230W
Rated Lamp Power (x2)	1.5W
Sound Power Level	<71dB(A)
<b>Filter</b>	
Aluminum/Stainless Steel Surface	5 Layers
<b>Accessories</b>	
Remote Control (Wireless)	No



## 5. INSTALLATION

### ⚠ WARNING

Before installation, it is important to read the information given on the following pages as well as the "General Safety Instructions" at the beginning of this booklet. Failure to install the appliance correctly could invalidate any warranty or liability claims and lead to prosecution.

The minimum distances between the wall and the cooktop (including trivets, dials - depending on model) and the side of the rangehood are as follows, unless a greater distance is specified by the manufacturer of your cooking appliance. See also "General Safety instructions" section.

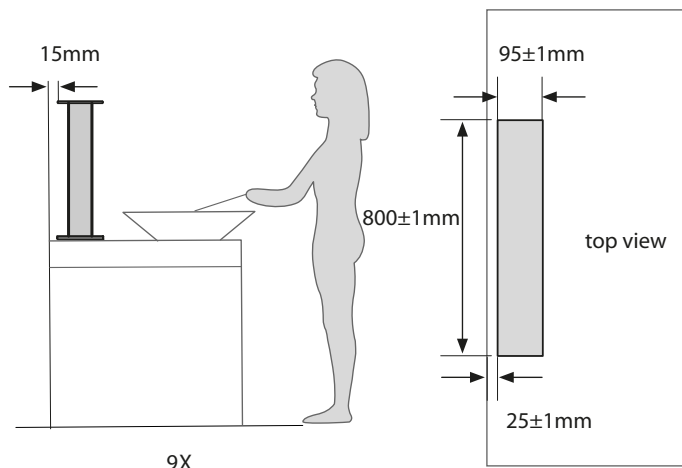
### 5.1 Pre-Installation

Before installing the rangehood, peel off any protective plastic covering and remove polystyrene from inside behind the fan motor.

### 5.2 Safety Distance

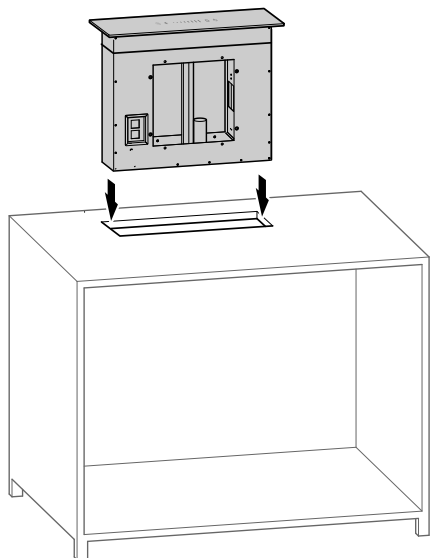
### ⚠ WARNING

If you are fitting a front panel made of wood or plastic to the rangehood, observe the safety distances given by the cooktop manufacturer regarding the use of easily flammable materials.

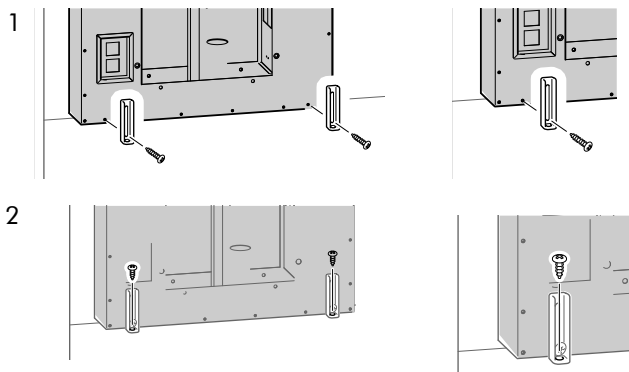


## cont. installation

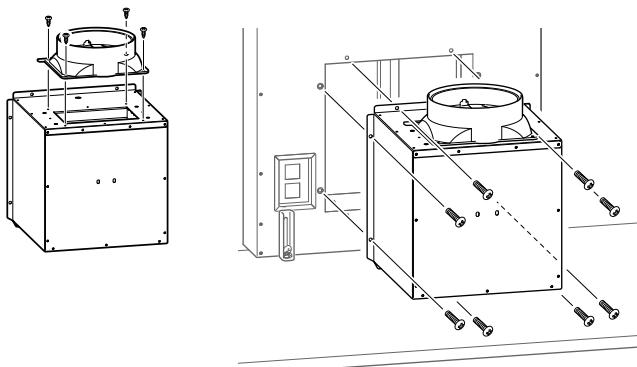
- 1** Insert the hood in the cabinet as shown.



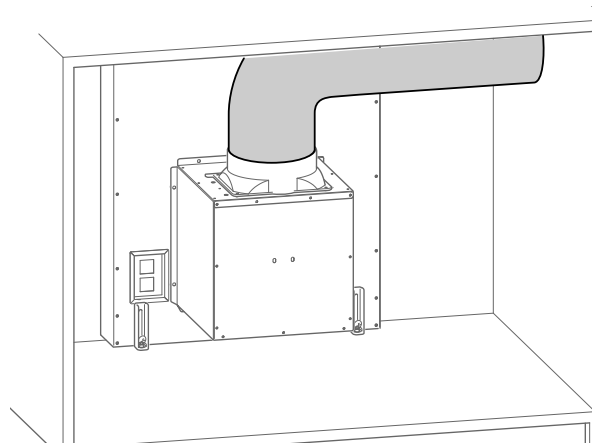
- 2** Use 2pcs of ST4x8mm screw and 2pcs ST4x14mm to fix the hood.



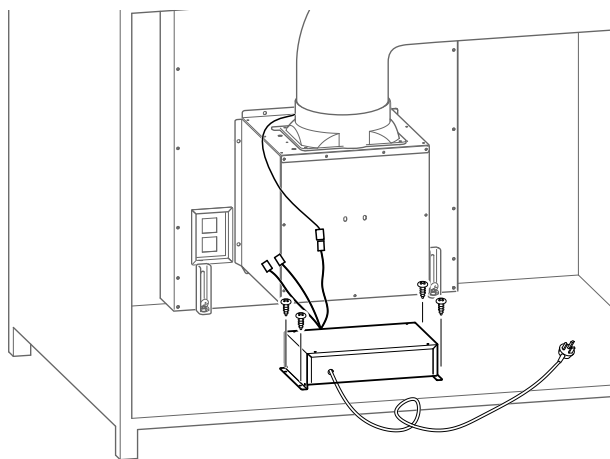
- 3** Fix the pipe on the outlet using 4pcs of ST4x14mm unto the PCB box. Insert the cavity to the hood using 8pcs of M4x10mm screw. Choose wind direction according to size of cabinet.



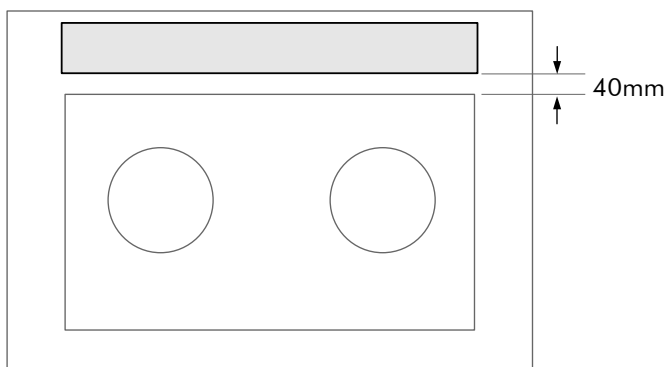
- 4** Attach exhaust pipe.



- 5** Fix the power supply with 4 screws. Connect the power.



Distance between the edge of the rangehood and the electrical hub/ or induction hub should be at least 40mm. As shown below.



## cont. installation

### 5.3 Installation [Air Extraction]

#### CAUTION

- Before installation, it is important to read the information given on the following pages as well as the "Appliance Dimensions" and the "Warning and Safety instructions" sections at the beginning of this booklet. This is particularly crucial when using the rangehood at the same time as a heating appliance that relies on oxygen from the same room, which could result in the build-up of toxic fumes.
- The rangehood should be installed according to local and national building regulations. Seek approval from the building inspector where necessary.

#### The following rules must be strictly observed to achieve optimum air extraction.

- Make sure that the exhaust pipe extends as short and straight as possible.
- Do not reduce the size or restrict the exhaust pipe. When using exhaust air pipes, always install the pipe tightly to minimise pressure loss.
- Non-compliance with these basic instructions will reduce the performance and increase the noise level of the rangehood.
- All installation work must be carried out by an electrician or a qualified person.

#### CAUTION

Risk of injury! For safety reasons, only use the size of fastening or mounting screw recommended in these operating instructions. Non-compliance with these instructions can lead to injuries and electric shocks.

#### NOTE

Remember that any constriction of the airflow will reduce extraction performance and increase operating noise.

- Do not connect the exhaust pipe of the rangehood to an existing ventilation system used for another appliance, e.g. a flue, gas pipes or hot air pipes.
- In case the exhaust air pipe is bent, the angle of the exhaust air pipe should not be less than 120°. Never point the exhaust air pipe downwards, but always horizontally or guide the pipe from the starting point upwards to the air outlet on the outside wall.
- After installation, please make sure that the rangehood is positioned horizontally to prevent grease from accumulating.
- Make sure that the exhaust pipe selected for installation complies with the relevant standards and is fire-retardant.

## 6. OPERATION

#### WARNING

- The rangehood may only be operated when the aluminum stainless steel grease filter and of the rangehood is installed (see "Installation Instructions" section).
- Clean the cooking zone before using the cooktop for the first time (see the "Cleaning" section).
- Observe all safety and warning information during operation (see the "General Safety Instructions" section).


### 6.1 Control Panel and Function Keys

- Best results are obtained by using a low speed for normal conditions and a high speed when odors are more concentrated.
- Turn the hood on for a few minutes before you start cooking.
- The hood should be left on for 15 minutes after cooking or until all odors have dispersed.
- The control switches are located on the front panel of the unit. See Image below.

This control system consist of two parts, power panel and touch panel. Touch panel contains five function buttons. [power, speed, light, timer and slide control]



#### Power Button

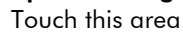
- Press the  button to switch the rangehood on and off.
- Touch the POWER button for 2seconds, the rangehood will slide upwards and works at first speed. Touch again for another 2seconds, the rangehood slides down and stops working.
- The rangehood will work at the speed that works the last time.

#### Speed Button

##### Motor ON/OFF setting:

- Touch the speed button, the motor turns on; touching it again will turn it off.

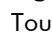
##### Speed setting:

- Touch this area  , slide your finger on it. Sliding through 1st and 2nd bar (lowest speed), 3rd-4th (2nd speed), 5th-6th (3rd speed), 7th-8th (full speed).


#### Light Button

- When the hood slides up, the light will turn on automatically for 8-10 seconds.
- Touch the light button to turn on and off.

##### Light intensity setting:

- Touch the light button to flash the pilot light - slide  button to control the light's intensity.
- Pilot light stops flashing if no function adjustment is made in 15 seconds.

#### Timer Button

- Touch timer button when light or motor is working and the hood will enter into timer setting. When pilot timer is flashing, slide  to select the timer section. Choose from 5-10-15-20-25-30-35-40.
- The motor and light will be off automatically when timer is finished. The hood will work with the same timer setting when you turn it on again.
- Touching the speed or control the light intensity when timer is set will turn off the timer function automatically.



## 6.2 Energy Saving tips

This rangehood operates very efficiently and economically. The following will help you to save even more energy when using it:

- Ensure that there is sufficient ventilation in the kitchen when cooking. In extraction mode, if there is insufficient air flow the rangehood cannot operate efficiently and this causes increased operating noise levels.
- Always cook with the lowest possible setting. This produces fewer cooking vapors, so you can use a lower rangehood power level and therefore benefit from reduced energy consumption.
- Check the power level selected on the rangehood. A lower power level is generally sufficient for the majority of cooking. Only use the Booster setting when necessary.
- When a large volume of cooking vapors is being produced, switch to a high-power level in good time. This is more efficient than operating the rangehood for longer to try to capture cooking vapors which have already been distributed throughout the kitchen.
- Make sure that you switch the rangehood off after use.
- Clean or change the filters at regular intervals. Heavily soiled filters reduce performance, increase the risk of fire and are unhygienic.

## 7. TROUBLESHOOTING

Observe all safety and warning information during operation. ( see the General Safety Instructions" section)

Problem	Possible Cause	Possible Solution
The light turns on but the motor does not work	The motor is switched off.	Switch on the motor with the SPEED button.
	The motor switch is broken.	Contact a specialist company.
	The motor is broken.	Contact a specialist company.
Lights and engine do not work.	Your mains security fuse is flipped or broken.	Flip the fuse switch or replace the fuse.
	The power cable is loose or not connected.	Connect the power cord correctly.
The light does not work.	The light is broken.	Replace the bulb.
Unsatisfactory suction performance.	The distance between the cooker and the rangehood is too far.	Reduce the distance.
		Check that the fan speed is set high enough for the task
		Clean the grease filter.
		Check to see if the kitchen is adequately vented to allow the entry of fresh air.
		If set up for recirculation, check that the charcoal filter is still effective. (recommended to be replaced every 2-3months)
If set up for extraction, check that the ducting and outlets are not blocked.		
Oil leakage	One way valve and outlet are not tightly sealed.	Take down the one way valve and seal with sealant.
	Leakage from the connection of chimney and cover	Take chimney down and seal.
The rangehood has switch off during operation.	The safety cut-out device has been tripped off.	Turn off the hob and wait for the device to reset.
		Fix the distance. If the distance is not appropriate, the motor will cut out frequently which will damage the hood.

If you have completed all of the above checks and is still experiencing difficulty, please contact your local Linarie Service Center (see the "Warranty and Spare Parts" sections).

### **WARNING**

Any electrical repairs to this appliance must conform to your local, state and federal laws. Please contact the service center if in any doubt before undertaking any of the above. Always disconnect the unit from the power source when opening the unit.

## 8. CLEANING & MAINTENANCE



### GENERAL INFORMATION

- Allow the appliance to cool down completely before cleaning and maintenance.
- The surfaces and controls are susceptible to scratches and abrasion. Please observe the following cleaning instructions.

### 8.1 Stainless steel

- The stainless steel must be cleaned regularly (weekly) to ensure a long service life. Stainless steel surfaces can be cleaned with a proprietary nonabrasive cleaning agent designed specifically for use on stainless steel.

### 8.2 Control panel

- The control panel can be cleaned with warm soapy water. Make sure the cloth is clean and thoroughly wrung out before cleaning the control panel. Use a dry, soft cloth to remove excess moisture after cleaning.



### WARNING

Observe all safety and warning information during operation (see the "General Safety Instructions" section). Before maintenance or cleaning, the rangehood should always be disconnected from the power supply. Make sure that the rangehood is switched off and the plug has been removed. Exterior surfaces are prone to scratches and dents. Therefore, please follow the cleaning instructions to achieve the best possible result without damage.

### 8.3 Cleaning agents



### WARNING

Do not use stainless steel cleaning agents on the controls. Use neutral cleaning agents and avoid using harsh cleaning chemicals, strong household cleaners or products containing abrasive cleaners as this will affect the appearance of the appliance and may remove the printed symbols on the control panel.

### 8.4 Aluminum grease filter



### WARNING

An oversaturated filter is a fire hazard. The aluminum grease filter in the appliance removes solid particles from the kitchen vapors, grease, dust, etc., therefore, preventing soiling of the rangehood.

### Grease filter cleaning intervals

- The grease filter should be cleaned regularly (at least every 3-4 weeks) to avoid a build-up of grease

### Cleaning the grease filter by hand

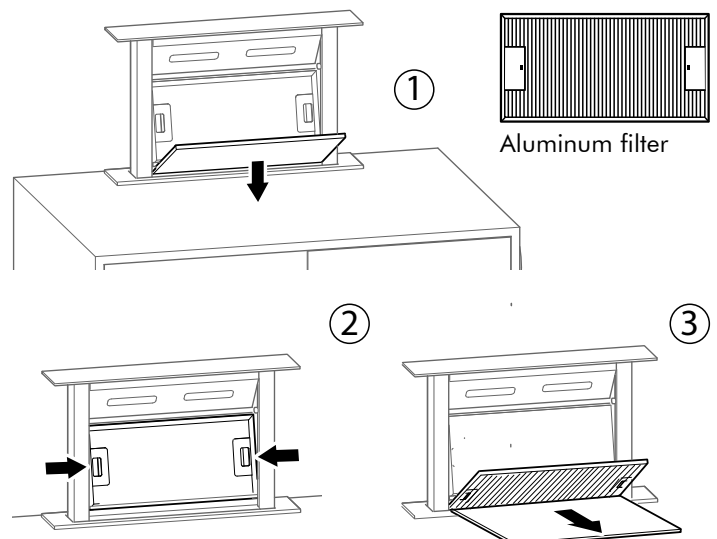
The reusable aluminum filter can be cleaned by hand. Soak them in water together with a grease-dissolving detergent for about 3 minutes and then brush them gently with a soft brush. Do not apply too much pressure to avoid damaging the filter. Allow the filter to air dry afterwards, but do not place it directly in the sun. Filters should always be washed separately from crockery and kitchen utensils!

### 8.5 Removing the aluminum grease filter

- When removing the grease filter do not tilt it downwards at an angle. This can damage the retaining pins.
- With the deflector plate pushed in, grip the front of the deflector plate and hold the grease filter securely. Whilst holding the grease filter, pull the deflector plate out as shown.
- Then pull the filter downwards to remove it.
- Switch off the fan.
- Soak the aluminum filter into a solution of warm water and mild detergent for about 10 minutes.
- Clean with soft cloth/ brush.
- Rinse thoroughly and dry well.

When handling a grease filter, be careful not to drop it. This can result in damage to the filter and the cooktop below. Make sure you hold the filter securely at all times when handling it.

Remove the filter as shown in the image below and reinsert the filter in reverse order.



## cont. cleaning and maintenance

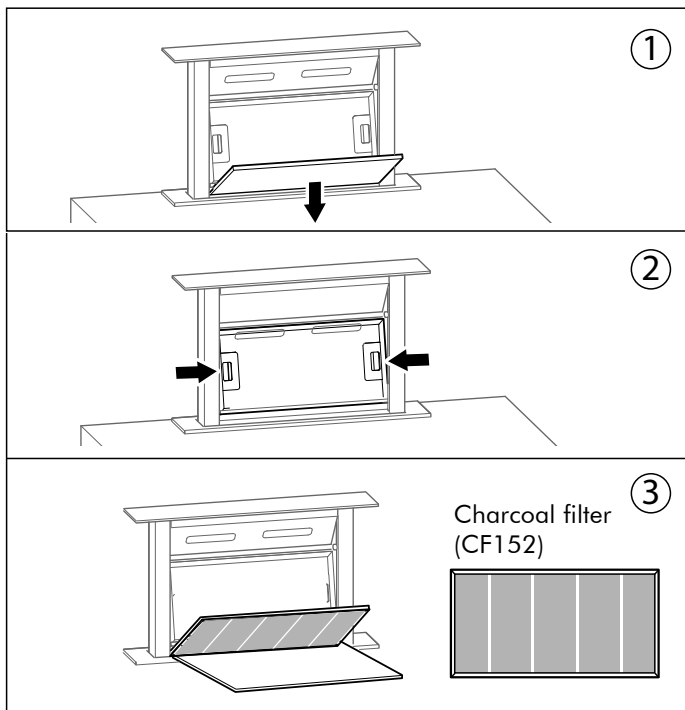
### 8.6 Activated carbon filter

If the rangehood is connected for recirculation, a charcoal filter must be inserted in addition to the grease filter. This is designed to absorb cooking odors.

#### Installing and replacing the activated charcoal filter

The installation of the activated carbon filter is done as follows:

- Disconnect the rangehood from the power supply before installation.
- Press the filter lock and remove the main filter.
- Replace the main filters.
- Reconnect the power supply.



#### ! WARNING

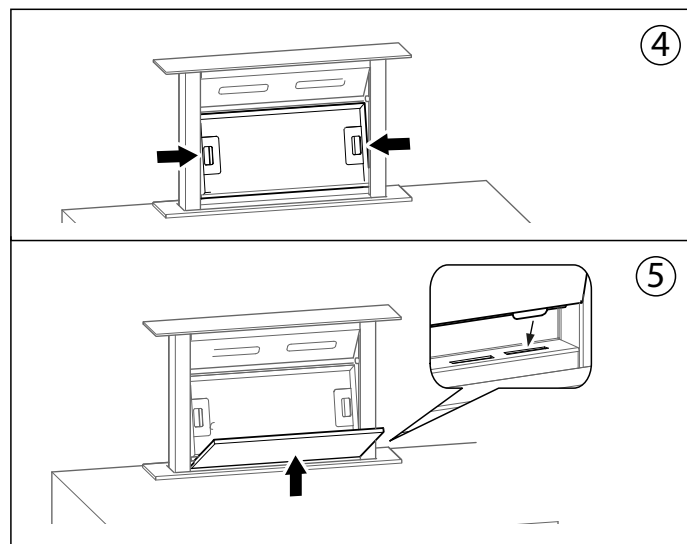
Make sure that the filter is tightly closed. It can otherwise detach and become dangerous. If an activated carbon filter is connected, the suction power is reduced.

#### When to change the activated charcoal filter?

The activated charcoal filter should be changed after 3 to 6 months, depending on your cooking habits. Allow the appliance to cool down completely before maintenance. Replacement charcoal filters can be obtained from [www.linarie.com.au](http://www.linarie.com.au)

#### Disposing of the activated charcoal filter

The used activated charcoal filter can be disposed with the normal household waste.



### 8.7 Replacing the lamps

Observe all safety and warning information during operation (see the "General Safety Instructions" section).

The lamps should be replaced with the following:

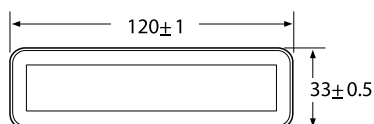
ILCOS D code: DSS-1.5-65-S-120/33

LED Type: Rectangle LED Lamp

Wattage: 2 x1.5W

Voltage Range: DC 12V

Dimensions:

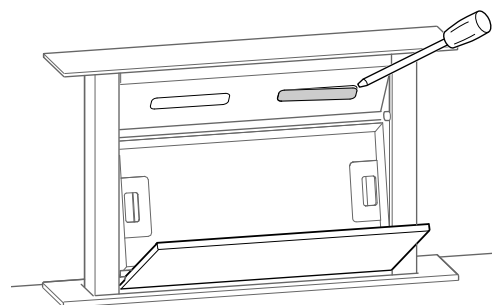


#### To replace the lamps:

- Disconnect the rangehood from the mains electrical supply before replacing the lamps
- Open the decorative door of the downdraft. Insert a small flat screw driver into the gap and pry up the lamp fitting and disconnect the plug.

#### ! WARNING

- The lamps become hot when in use. Allow the lamps to cool down completely before changing them.
- The lamp must be replaced by the manufacturer, its after-sales service or similarly qualified persons.
- Always switch off the power supply before carrying out any work on the appliance.
- Always hold the lamp with a cloth or gloves when inserting or removing it to ensure that sweat does not come into contact with the lamp, as this can reduce its life.



## 9. ENVIRONMENTAL TIPS

Observe all safety and warning information during operation (see the "General Safety Instructions" section).

### 9.1 Disposal considerations

The transport and protective packaging has been selected from materials which are environmentally friendly for disposal, and can normally be recycled.

Recycling the packaging reduces the use of raw materials in the manufacturing process and also reduces the amount of waste in landfill sites. Ensure that any plastic wrappings, bags etc. are disposed of safely and kept out of the reach of babies and young children. Danger of suffocation.



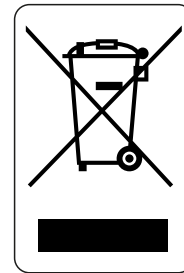
### 9.2 Disposing of your old appliance

Electrical devices marked with this label may not be disposed of in domestic waste at the end of their service life.

Electrical and electronic appliances often contain valuable materials. They also contain specific materials, compounds and components, which were essential for their correct function and safety. These could be hazardous to human health and to the environment if disposed of with your domestic waste or if handled incorrectly. Please do not, therefore, dispose of your old appliance with your household waste.

Please dispose of those materials by contacting your local authorities and ask for the correct method of disposal. Please ensure that your old appliance poses no risk to children while being stored prior to disposal.

By disposing of this product in accordance with the regulations, you protect the environment and the health of those around you from negative consequences.



## 10. WARRANTY & AFTER SALES SERVICE

Observe all safety and warning information during operation (see the "General Safety Instructions" section).

In the event of a fault which you cannot remedy yourself, please contact Linärie.

### 10.1 Warranty

The manufacturer's warranty for this appliance is 2 years.

### 10.2 After sales service

The contact details for Linärie are given at the beginning and of these instructions.

When contacting Linärie, please quote the model and serial number of your appliance. These can be found on the data plate, after removing the grease filter.

### Record model & serial number

Model:.....

Serial Number:.....

Register your product [www.linarie.com.au](http://www.linarie.com.au)

### 10.3 Replacement of spare parts

Incorrect components can lead to personal injury or damage to the appliance. Use only genuine original Linärie spare parts.




Modifications, additions or alterations to the appliance can lead to safety risks. If spare parts or accessories from other manufacturers are used, the warranty will be invalidated, and Linärie cannot accept liability.

Please check [www.linarie.com.au](http://www.linarie.com.au) for more information.

## LIKE TO KNOW MORE?

For further information on all Linärie appliances,  
or to obtain detailed dimension and installation  
information, phone or email our Customer Care  
team or visit our website:

Australia  
[hello@linarie.com.au](mailto:hello@linarie.com.au)  
[www.linarie.com.au](http://www.linarie.com.au)

Follow Us  
[@Linärie.Appliances](#)  
  

Operating and installation instructions:

Original

√ Translation

**Osass Australia Pty Ltd.**  
**ACN 005 635 398**  
**ABN 96 005 635 398**

**Linärie Contact**  
**hello@linarie.com.au**  
**www.linarie.com.au**

The distribution and duplication of this document, as well as the use and disclosure of its contents are prohibited unless expressly authorised.

These operating and installation instructions have been drawn up with the greatest of care. But it cannot be ruled out that subsequent technical modifications have not yet been incorporated or the relevant content has not yet been adapted. Please accept our apologies in this eventuality. An updated version can be requested from our team. Subject to printing errors and mistakes.

© Linärie

All rights reserved.