

Vecchio • LJMO30GXBI

31L Built-In Microwave Oven

Signature Features



Available Colors
Stainless Steel Panel &
Matching Trim Kit

31L Capacity

- Featuring a 315mm wide built-in glass turntable with plenty room to cook your favorite dishes quickly

6 Auto Menu Programs

- Multi-function oven enhanced with 6 high performances pre-set modes for easier, faster and tastier meals

Grilling Element

- Enjoy crispy food in minutes as the grill function crisps your food on the outside without drying inside

Intuitive Display

- Ease of use with innovative design. Access a variety of features on the LED display panel for optimal performance at the convenience of your fingertips



Microwave



Grill



Defrost



Child Lock



Warranty

Features

- 31L Capacity
- Turntable [315mm]
- 900W of Cooking Power
- 5 Power Levels
- 2 Combi Cooking Levels
- 1200W of Grill Power
- 2 Grill Power Level
- 6 Auto Menu Programs
- LED Display

Convenience

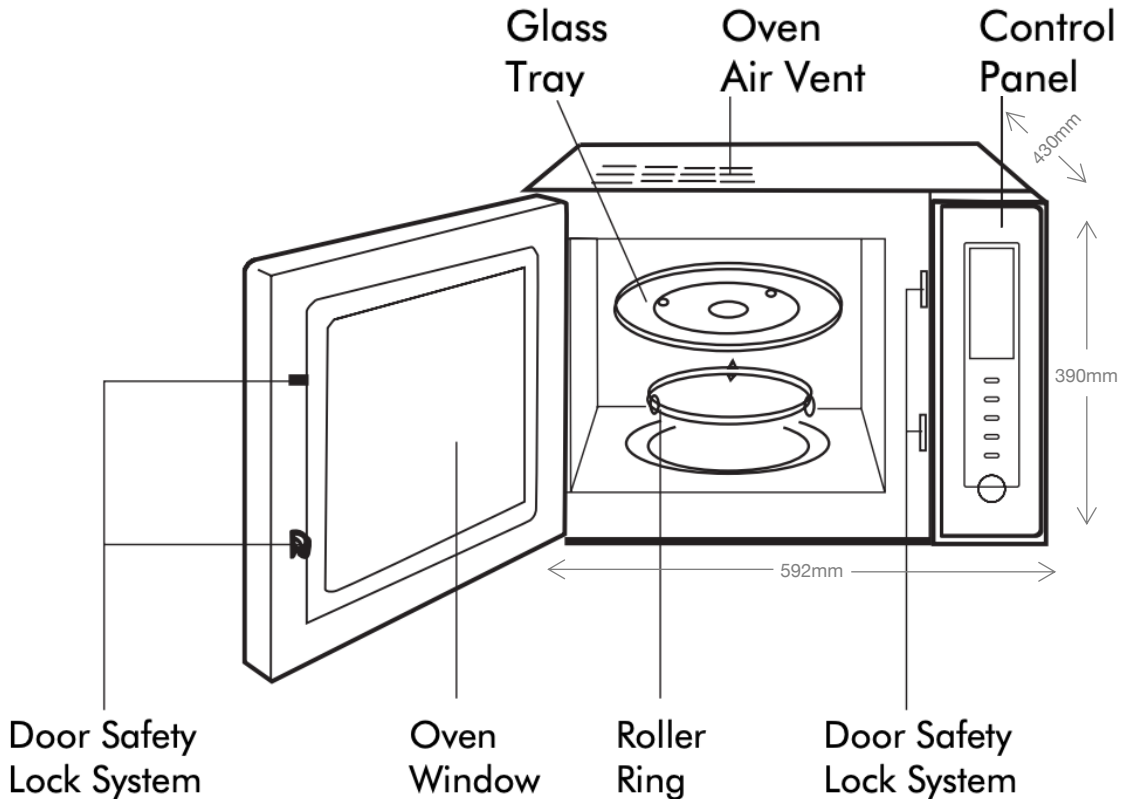
- Clock (24hr)
- Child Safety Lock
- Pre-Set Timer Function
- Completion Beeper
- Auto-Weight Defrost
- Quick-Reheating
- Pull handle door

Accessories

- Matching Trim Kit
- 1 Round Wire Grill Rack
- 1 Roller Ring
- 1 Glass Tray

Vecchio • LJMO30GXBI

31L Built-In Microwave Oven



Specifications

- Oven Cavity: 31L
- Turntable [315mm]
- Power Output: 900W
- Grill Power Output: 1200W
- Quick-Reheating
- Weight-Defrosting
- 6 Cooking Modes
- Cooking Controls:
 - 5 Power Levels
 - 2 Grill Power Levels
 - 2 Combi Power Levels
- Control Method: Electronic Touch
- Display: LED (red)
- Light: Incandescent
- Pre-Set Timer Function: 60 Minutes
- Noise Level: <65db
- Operating Frequency: 2450MHz
- Power Consumption: 1450W/10 A
- Power Source: 220-240V / 50 Hz

Warranty

- Two (2) Year Parts and Labor
- *Extend your warranty by registering your product linarie.com.au*

Product Dimensions & Weight

- Outside: 592 (W) x 390(H) x 430 (D) mm
- Cavity: 350 (W) x 232 (H) x 372 (D) mm
- Weight: 17.5 kg (including accessories)

Trim Kit Dimension

- Frame: 592 (W) x 390 (H) x 20 (D) mm
- Cavity: 566-580 (W) x 365-380 (H) x 550 (D) mm

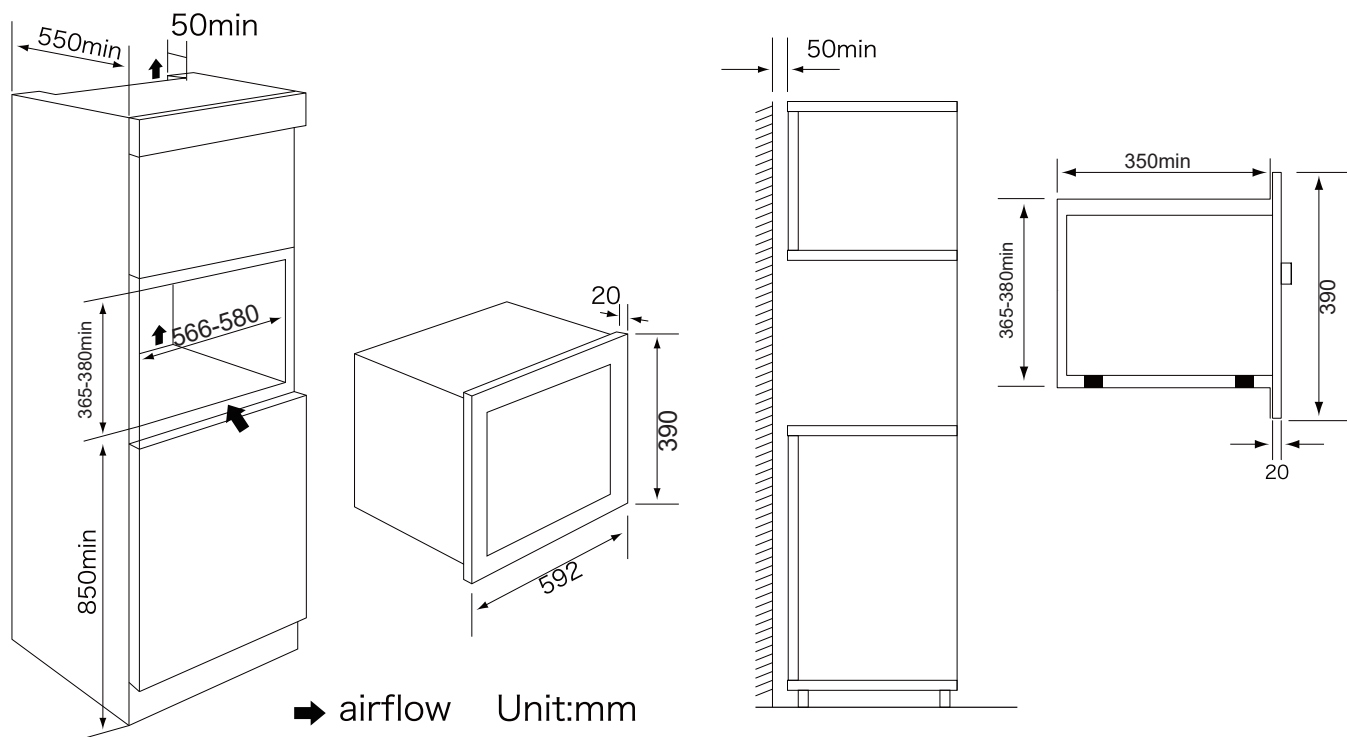
Shipping Dimensions & Weight

- Dimensions: 660 (W) x 466 (H) x 445 (D) mm
- Weight: 18.5 kg

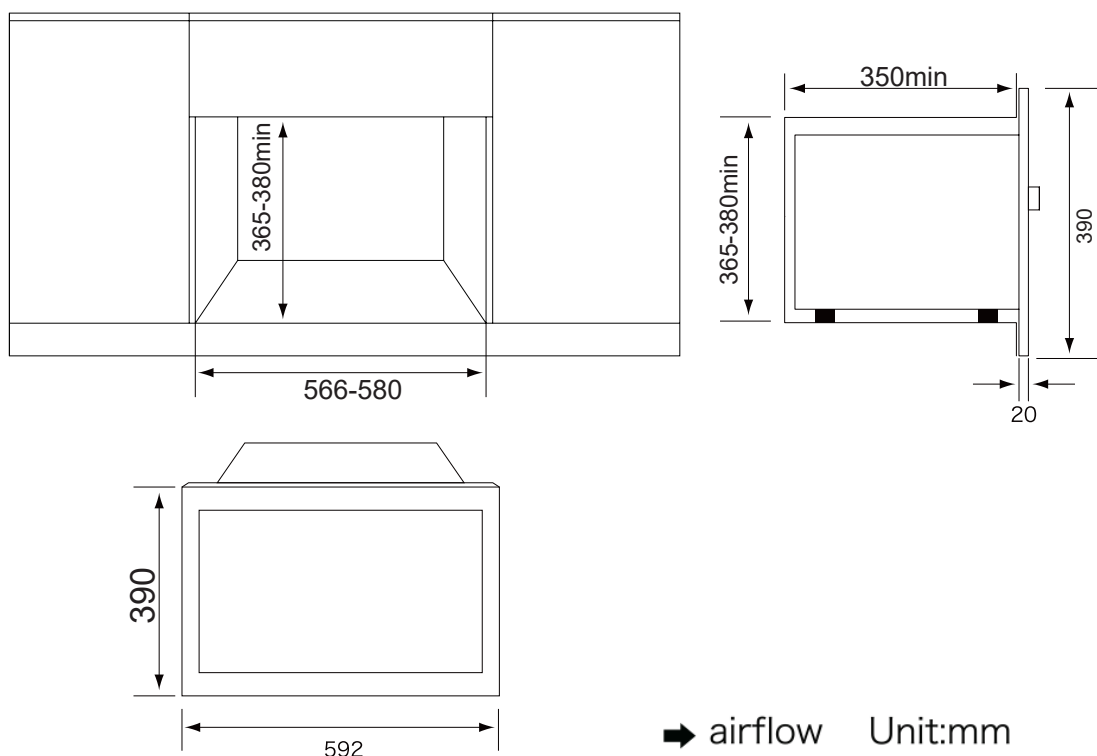
Vecchio • LJM030GXBI

31L Built-In Microwave Oven

Installation



Installation in top cabinet



Actual color may vary. Design, specifications, and color availability are subject to change without notice, check linarie.com.au for up-to-date information. © Linärie Appliances | Australia JUN22.V01