

Toulouse • LS80I2F1Z

80cm 5 Zone Induction Double Flex Zone Cooktop

Signature Features

Booster Function

• 5 independently powerful cooking zones with a boost function: extra power for faster heating

Dual Flex Zone

• Greater flexibility across the cooktop by combining 2 cooking zones to create a larger cooking space

9 Power Levels & 6 Cooking Modes

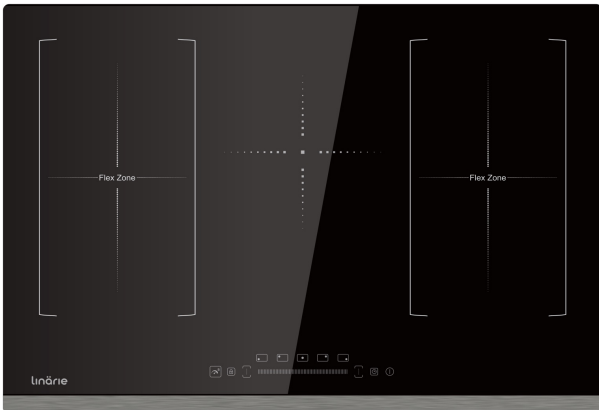
• 9 adjustable power levels for faster heating and 6 different cooking modes so that you can masterchef at ease

99min Pre-Set Timer

• Heating automatically stops when the cooking time is up

Intuitive Touch to Slide Control

• Easy to understand and easy to operate, so you can easily adjust the temperature and access all of the important functions at your fingertips



Cooking Size & Output

- Front Left Zone: Ø 180mm • 1600W | 2000W Booster
- Rear Left Zone: Ø 160mm • 1200W | 1600W Booster
- Center Zone: Ø 230mm • 2200W | 2600W Booster
- Rear Right Zone: Ø 180mm • 1600W | 2000W Booster
- Front Right Zone: Ø 160mm • 1200W | 1600W Booster
- Flex Zone: 365 x 200mm • 3000W

Specifications

- 6 Cooking Modes
 - BBQ
 - Fry
 - Hot-pot
 - Soup
 - Water
 - Keep warm
- 99min pre-set timer

Safety Features

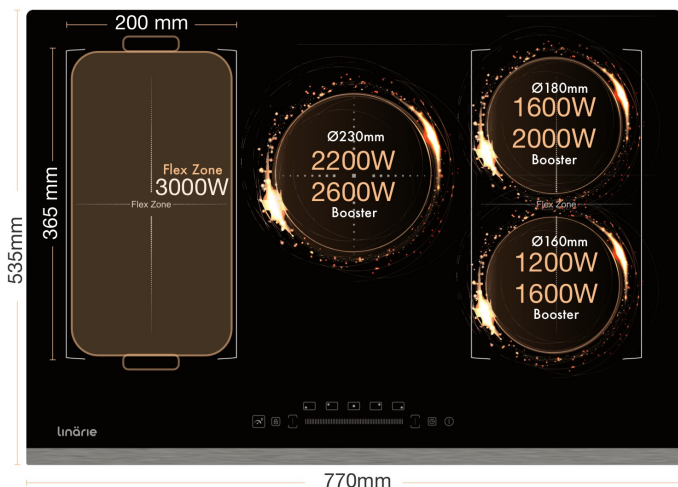
- Residual heat indicator
- Childproof lock
- Automatic switch-off
- Pan sensors

Warranty

- Two (2) year parts and labor
- *Extend your warranty by registering your product linarie.com.au

Cookware Compatibility

- Induction cooktops are only compatible with cookware made from magnetic material.



Toulouse• LS80I2F1Z

80cm 5 Zone Induction Double Flex Zone Cooktop

Technical Features

Materials / Color:	Black glass with stainless steel
Installation:	Top-mount
Cooktop ignition:	Induction
Voltage / Frequency:	220-240V, 50/60Hz
Total Power:	9800W
Current:	44.55A
Cord Length:	1m

Control Features

Control display:	Touch
Position of controls:	Center front
Separate controls for each zone:	Yes
Pre-ser timer:	99min, countdown
Flex Zone:	Yes
Time buzzer:	Yes
On/Off indicator light:	Yes
Cooking Modes	6 [BBQ, Fry, Hot-pot, Soup, Water, Keep warm]
Indicators / Display:	Fault indicator, residual heat

Safety Features

Residual heat indicator:	Yes
Child safety lock:	Yes
Overflow safety switch-off:	Yes
Overheat safety system:	Yes
Automatic switch off:	Yes
Pan size sensors:	Yes

Cooking Zones

Control Levels:	9 per zone
Booster Function (for each zone):	Yes
Front Left Zone:	Ø 180mm • 1600W 2000W Booster
Rear Left Zone:	Ø 160mm • 1200W 1600W Booster
Center Zone:	Ø 230mm • 2200W 2600W Booster
Rear Right Zone:	Ø 180mm • 1600W 2000W Booster
Front Right Zone:	Ø 160mm • 1200W 1600W Booster
Flex Zone:	365 x 200mm • 3000W

Dimensions & Weight

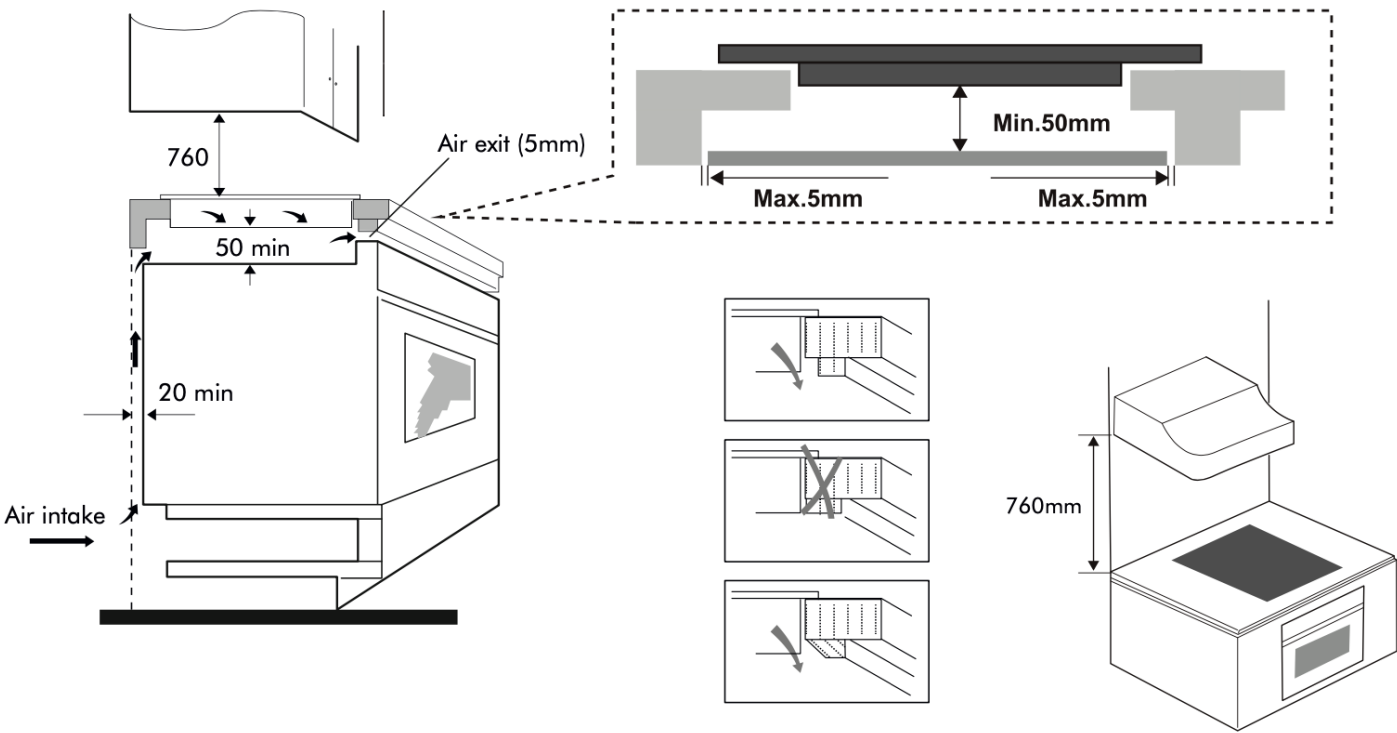
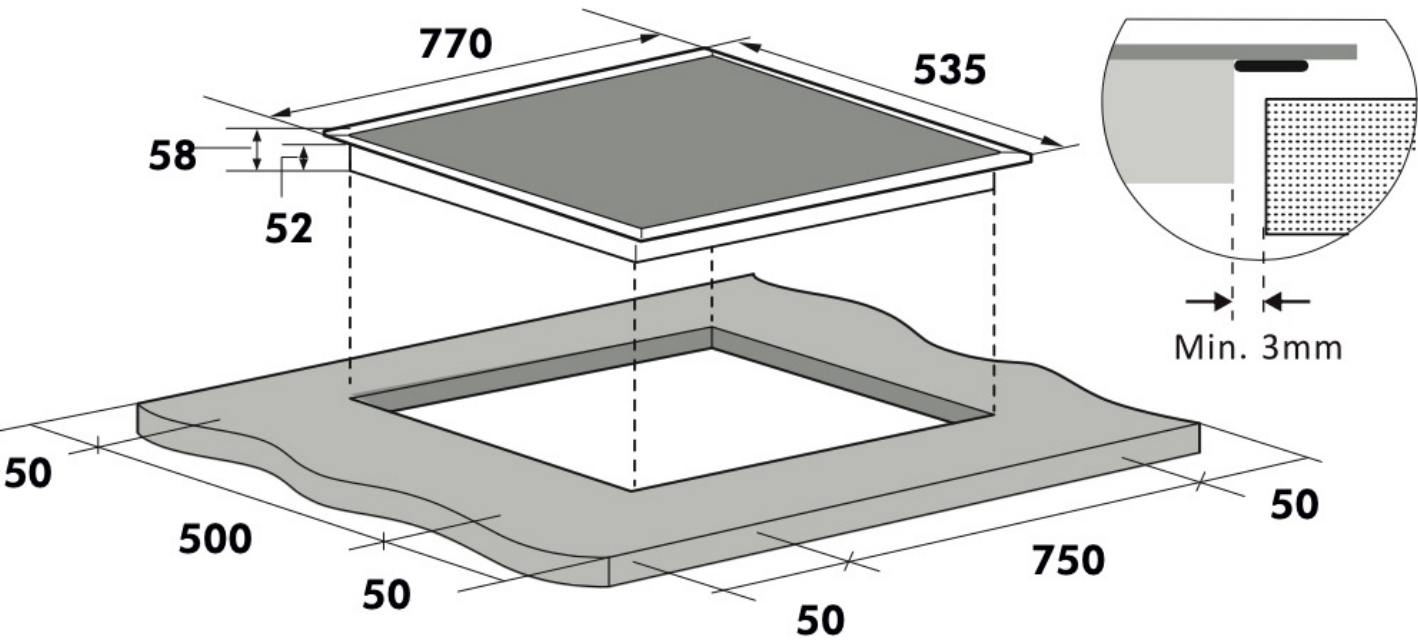
Packed dimensions:	845 (L) x 630 (W) x 130 (H) mm
Packed weight:	16.2kg
Unpacked dimensions:	535 (L) x 770 (W) x 58 (H) mm
Unpacked weight:	13.7kg
Cutout Dimensions:	500 (L) x 750 (W) mm



Toulouse• LS80I2F1Z

80cm 5 Zone Induction Double Flex Zone Cooktop

Installation Drawings



Please refer to the user manual for detailed installation instructions.