

Rennes • LS60I3Z

60cm 3 Zone Induction Cooktop

Signature Features

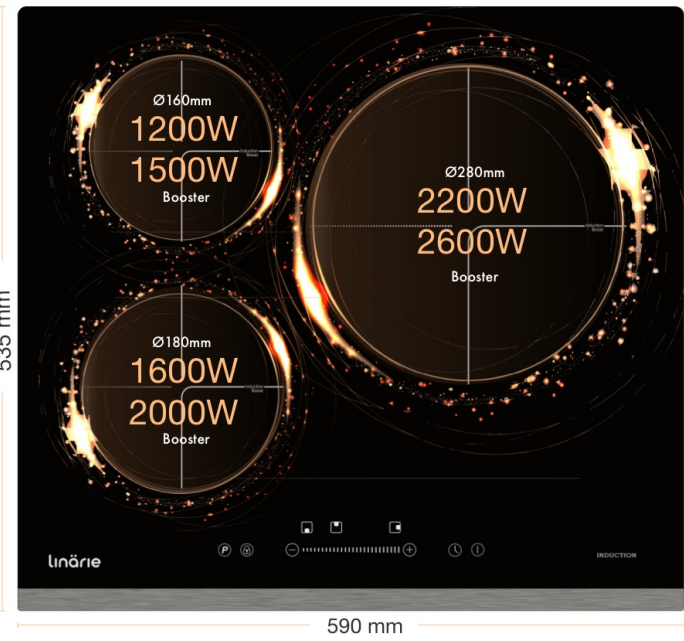


- Booster Function**
 - 3 independently powerful cooking zones with a boost function: extra power for faster heating
- 9 Power Levels & 6 Cooking Modes**
 - 9 adjustable power levels for faster heating and 6 different cooking modes so that you can masterchef at ease
- 99min Pre-Set Timer**
 - Heating automatically stops when the cooking time is up
- Intuitive Touch to Slide Control**
 - Easy to understand and easy to operate, so you can easily adjust the temperature and access all of the important functions at your fingertips



Cooking Size & Output

- Front Left Zone: Ø 180mm • 1600W | 2000W Booster
- Rear Left Zone: Ø 160mm • 1200W | 1500W Booster
- Right Zone: Ø 280mm • 2200W | 2600W Booster



Specifications

- 6 Cooking Modes
 - BBQ
 - Fry
 - Hot-pot
 - Soup
 - Water
 - Keep warm
- 99min pre-set timer

Safety Features

- Residual heat indicator
- Childproof lock
- Automatic switch-off
- Pan sensors

Warranty

- Two (2) year parts and labor
- *Extend your warranty by registering your product linarie.com.au*

Cookware Compatibility

- Induction cooktops are only compatible with cookware made from magnetic material.

Rennes[®] LS60I3Z

60cm 3 Zone Induction Cooktop

Technical Features

Materials / Color:	Black glass with stainless steel
Installation:	Top-mount
Cooktop ignition:	Induction
Voltage / Frequency:	220-240V, 50/60Hz
Total Power:	6100W
Current:	27.73A
Cord Length:	1m

Control Features

Control display:	Touch
Position of controls:	Center front
Separate controls for each zone:	Yes
Pre-ser timer:	99min, countdown
Time buzzer:	Yes
On/Off indicator light:	Yes
Cooking Modes:	6 [BBQ, Fry, Hot-pot, Soup, Water, Keep warm]
Indicators / Display:	Fault indicator, residual heat

Safety Features

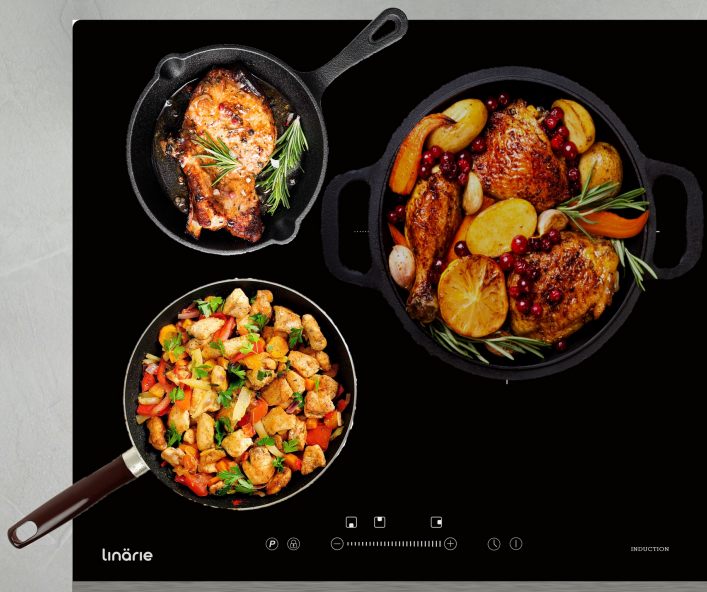
Residual heat indicator:	Yes
Child safety lock:	Yes
Overflow safety switch-off:	Yes
Overheat safety system:	Yes
Automatic switch off:	Yes
Pan size sensors:	Yes

Cooking Zones

Control Levels:	9 per zone
Booster Function (for each zone):	Yes
Front Left Zone:	Ø 180mm • 1600W 2000W Booster
Rear Left Zone:	Ø 160mm • 1200W 1500W Booster
Right Zone:	Ø 280mm • 2200W 2600W Booster

Dimensions & Weight

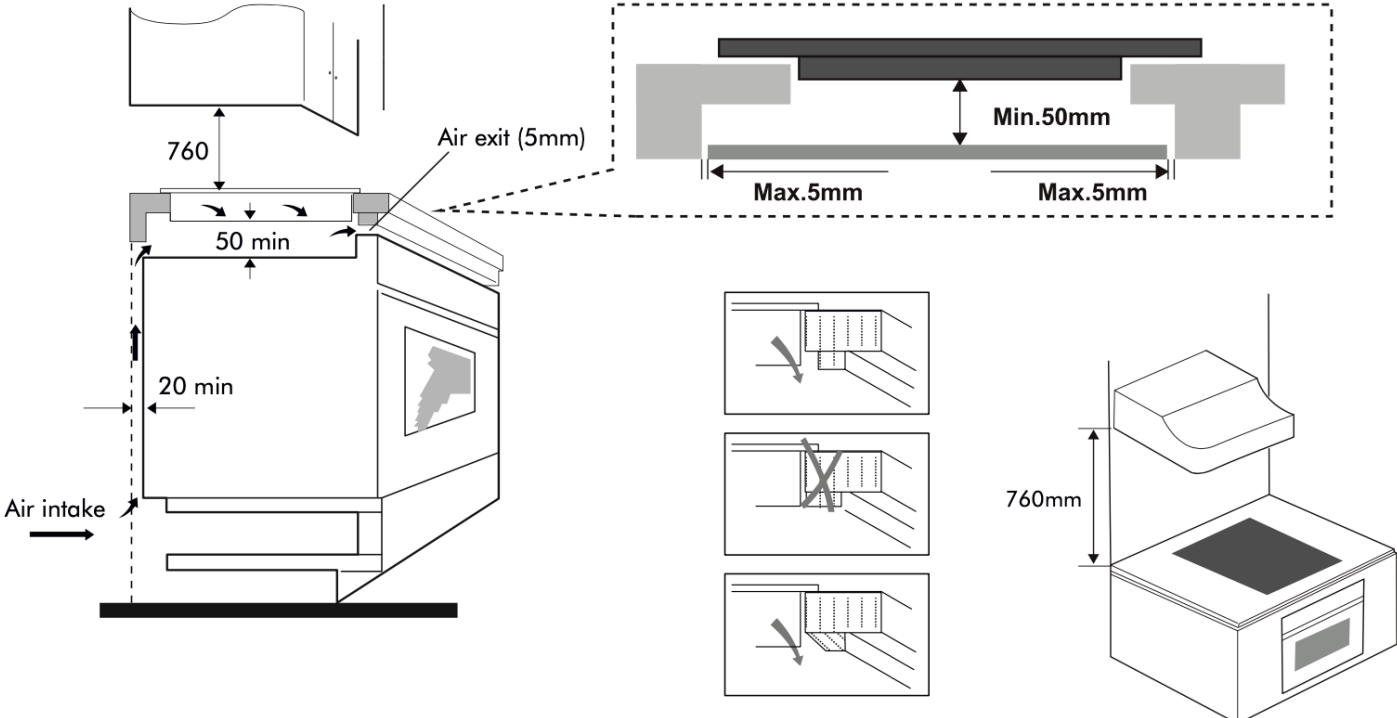
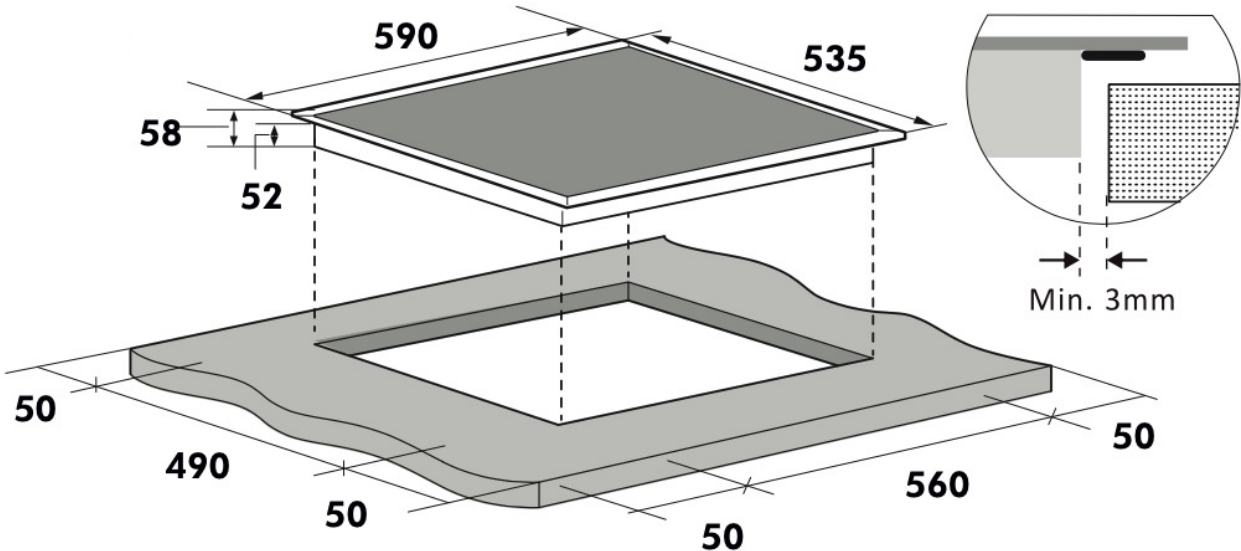
Packed dimensions:	665 (L) x 630 (W) x 130 (H) mm
Packed weight:	9.9kg
Unpacked dimensions:	590 (L) x 535 (W) x 58 (H) mm
Unpacked weight:	8.3kg
Cutout Dimensions:	560 (L) x 490 (W) mm



Rennes[®] LS60I3Z

60cm 3 Zone Induction Cooktop

Installation Drawings



Please refer to the user manual for detailed installation instructions.