

Porto • LJM030CX

31L Benchtop Microwave Oven



Available Colors
Stainless Steel Panel &
Black Smoked Glass

Signature Features

31L Capacity

• Featuring a 315mm wide built-in glass turntable with plenty of room to cook your favorite dishes quickly

Convection Element

• Convection cooking and microwave heating in one appliance to warm, bake, broil or roast food faster and more evenly

Grilling Element

• Enjoy crispy food in minutes as the grill function crisps your food on the outside without drying inside

6 Auto Menu Programs

• Multi-function oven enhanced with 6 high performance pre-set modes for easier, faster and tastier meals

Intuitive Display

• Ease of use with innovative design. Access a variety of features on the LED display panel for optimal performance at the convenience of your fingertips



Roast & Bake



Convection



Microwave



Grill



Defrost



Child Lock



Warranty

Features

- 31L Capacity
- Turntable [315mm]
- 900W of Cooking Power
- 5 Power Levels
- 3 Combi Cooking Levels
- 1200W of Grill Power
- 1 Grill Power Level
- Convection Cooking
- 1350W Convection Power
- Pre-Heat Function
- 6 Auto Menu Programs
- LED Display

Convenience

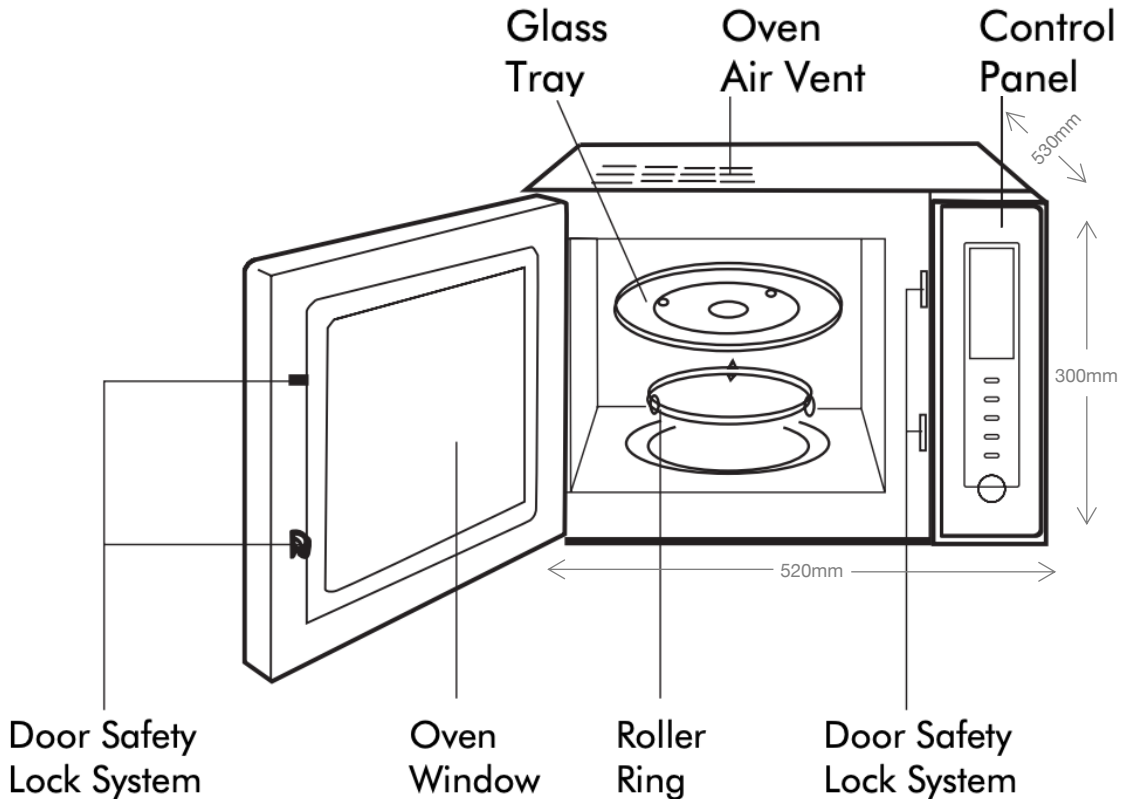
- Clock (24hr)
- Child Safety Lock
- Pre-Set Timer Function
- Completion Beeper
- Auto-Weight Defrost
- Quick-Reheating
- Pull handle door

Accessories

- 1 Round Wire Grill Rack
- 1 Roller Ring
- 1 Glass Tray

Porto • LJMO30CX

31L Benchtop Microwave Oven



Specifications

- Oven Cavity: 31L
- Turntable [315mm]
- Power Output: 900W
- Grill Power Output: 1200W
- Convection Power: 1350W
- Quick-Reheating
- Weight-Defrosting
- 6 Cooking Modes
- Cooking Controls:
 - 5 Power Levels
 - 1 Grill Power Levels
 - 3 Combi Power Levels
- Control Method: Electronic Touch
- Display: LED (red)
- Light: Incandescent
- Pre-Set Timer Function: 60 Minutes
- Noise Level: <65db
- Operating Frequency: 2450MHz
- Power Consumption: 1450W/10 A
- Power Source: 220-240V / 50 Hz

Warranty

- Two (2) Year Parts and Labor
- *Extend your warranty by registering your product linarie.com.au*

Product Dimensions & Weight

- Outside: 520 (W) x 300(H) x 530 (D) mm
- Cavity: 350 (W) x 232 (H) x 372 (D) mm
- Weight: 18.5 kg (including accessories)

Shipping Dimensions & Weight

- Dimensions: 575 (W) x 335 (H) x 560 (D) mm
- Weight: 20 kg