

Pau • LYBO63MF

63L Electric Built-in Oven



Signature Features

Family Size

• 63L capacity with family size spacious interior

4 Cooking Modes

• Allowing you to conveniently bake, roast, and grill.

Even Heat Distribution

• Maximizes air circulation which effectively reduces cooking time by seamlessly distributing heat throughout the entire oven for the best cooking results

Ergonomically Designed

• Angled oven doors and soft shut hinges to secure heat inside while preventing slamming by delicately closing its doors

Full Visibility

• Sophisticated extra-wide glass pane to help you monitor your dishes while keeping its exterior temperature cool to the touch

63L Family Size	 4 Cooking Modes	 Roast & Bake	 Grill	 Convection	 Removable Shelf	Up To 250°C Temperature	 Even Heat Distribution	 LED Light
 Ergonomic Design	 Tempered Door	 Full Visibility	 Compact Design	 Easy Installation	 Intuitive Control	 Warranty	 Easy Cleaning	 Space Saving



Pau • LYBO63MF

63L Electric Built-in Oven

Technical Features

Materials / Color:	Black glass & stainless steel
Installation:	Built-in
Voltage / Frequency:	220-240V, 50Hz
Max Current:	230V/16A
Power Source:	Electrical
Max/Total Power:	2200W
Power Cable:	Wire; Must be earthed
Energy Efficiency Rate:	A

Oven Features

Capacity:	63 Liters
Bar Handle:	Aluminum
Temperature Range:	50-250°C
Cooking Modes:	4 Modes Bottom Heat, Lower Heat + Upper Heat (Convection), Double Grilling
Timer:	Up to 120min
Integrated Cleaning System:	No
Temperature Control:	Electronic and Mechanical Control
Cooling Rear Fan:	No
Forced cooling & Smoke Ventilation:	Yes
Light Type:	Halogen
Indicators / Display:	No
Number of shelf positions:	5
Interior Design:	Enamel

Parameters

Top Heating Element:	1000W
Grill Heating Element:	1200W
Bottom Heating Element:	1000W
Convection Heating Element:	No
Oven Lamp:	25W
Cooling Fan:	12W
Convection Motor:	No

4 Cooking Modes

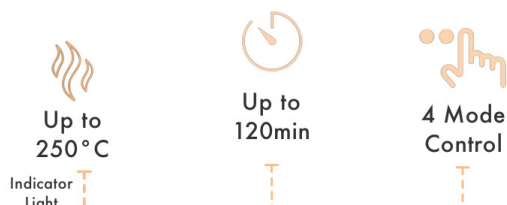
Electric Built-in Oven | Pau • LYBO63MF



Control Display

linärie

Electric Built-in Oven | Pau • LYBO63MF



Pau • LYBO63MF

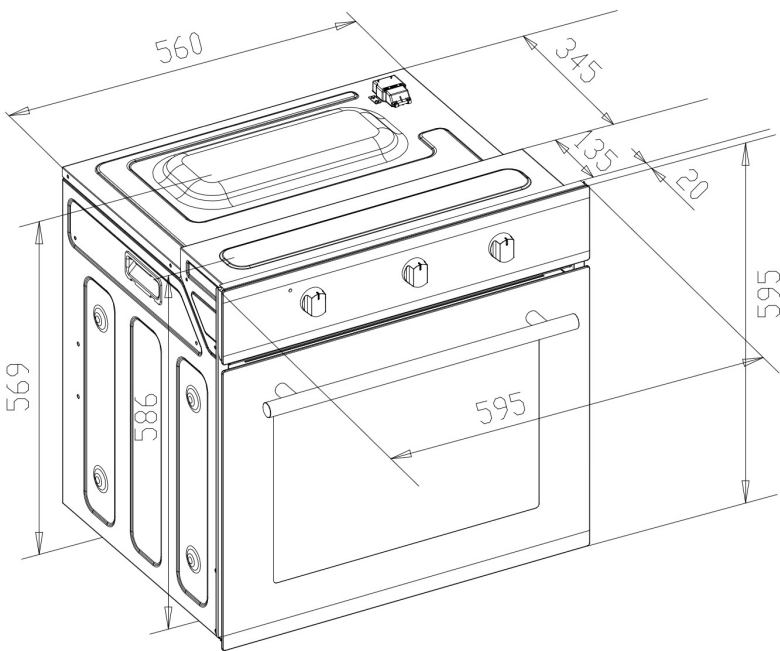
63L Electric Built-in Oven

Safety Features

Child Lock:	No
Door Lock:	No
Inner Door Plate	Low-e
Double layered door	Yes

Dimensions & Weight

Cavity:	448(W) x 376(D) x 375(H) mm
Packed Dimensions:	675 (W) x 645 (D) x 665 (H) mm
Packed Weight:	27.3kg
Unpacked Dimensions:	595 (W) x 500 (D) x 595 (H) mm
Unpacked Weight:	24.5kg



EAN Number

• 0731093140600

Accessories

Oven Drip Tray (enameled)	1
Oven Wire Rack	1

Warranty

• Two (2) year parts and labor
*Extend your warranty by registering your product at linarie.com.au

