

Nice• LS60I3Z

60cm 3 Zone Ceramic Cooktop

Signature Features

Vitroc ceramic Technology

• Heat is seamlessly distributed throughout each ceramic cooking zone for the best results while using energy efficiently

Residual Heat Indicator

• Residual heat indicators to visually remind you when the cooktop is still hot to touch

9 Power Levels & Double Ring

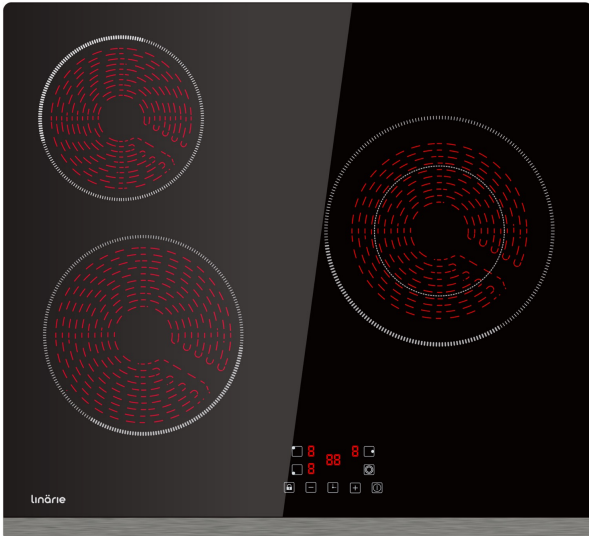
• 9 adjustable power levels and double ring for faster heating

99min Pre-Set Timer

• Heating automatically stops when the cooking time is up

Intuitive Touch Control

• Easy to understand and easy to operate, so you can easily adjust the temperature and access all of the important functions at your fingertips



Cooking Size & Output

- Front Left Zone: Ø 200mm • 1800W
- Rear Left Zone: Ø 165mm • 1200W
- Right Zone: Ø 230mm • 1100W | 2200W Double Ring

Specifications

- 9 Power Levels
- Double Ring
- 99min pre-set timer

Safety Features

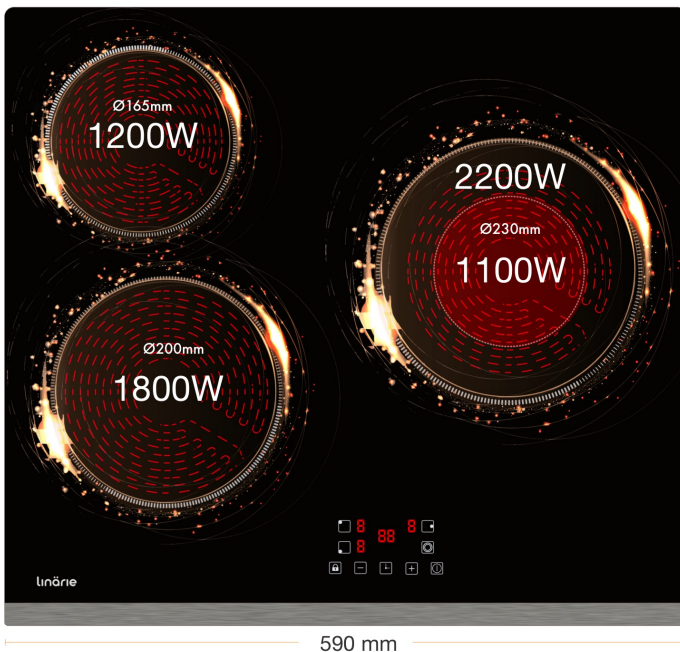
- Residual heat indicator
- Childproof lock
- Automatic switch-off
- Pan sensors

Warranty

- Two (2) year parts and labor
- *Extend your warranty by registering your product linarie.com.au*

Cookware Compatibility

- Induction cooktops are only compatible with cookware made from magnetic material.



Nice• LS60I3Z

60cm 3 Zone Ceramic Cooktop

Technical Features

Materials / Color:	Black glass with stainless steel
Installation:	Top-mount
Cooktop ignition:	Vitroc ceramic
Voltage / Frequency:	220-240V, 50/60Hz
Total Power:	5200W
Current:	23.64A
Cord Length:	1m

Control Features

Control display:	Touch
Position of controls:	Center front
Separate controls for each zone:	Yes
Pre-ser timer:	99min, countdown
Time buzzer:	Yes
On/Off indicator light:	Yes
Indicators / Display:	Fault indicator, residual heat

Safety Features

Residual heat indicator:	Yes
Child safety lock:	Yes
Overflow safety switch-off:	Yes
Overheat safety system:	Yes
Automatic switch off:	Yes

Cooking Zones

Control Levels:	9 per zone
Double Ring:	Yes
Front Left Zone:	Ø 200mm • 1800W
Rear Left Zone:	Ø 165mm • 1200W
Right Zone:	Ø 230mm • 1100W 2200W Double Ring

Dimensions & Weight

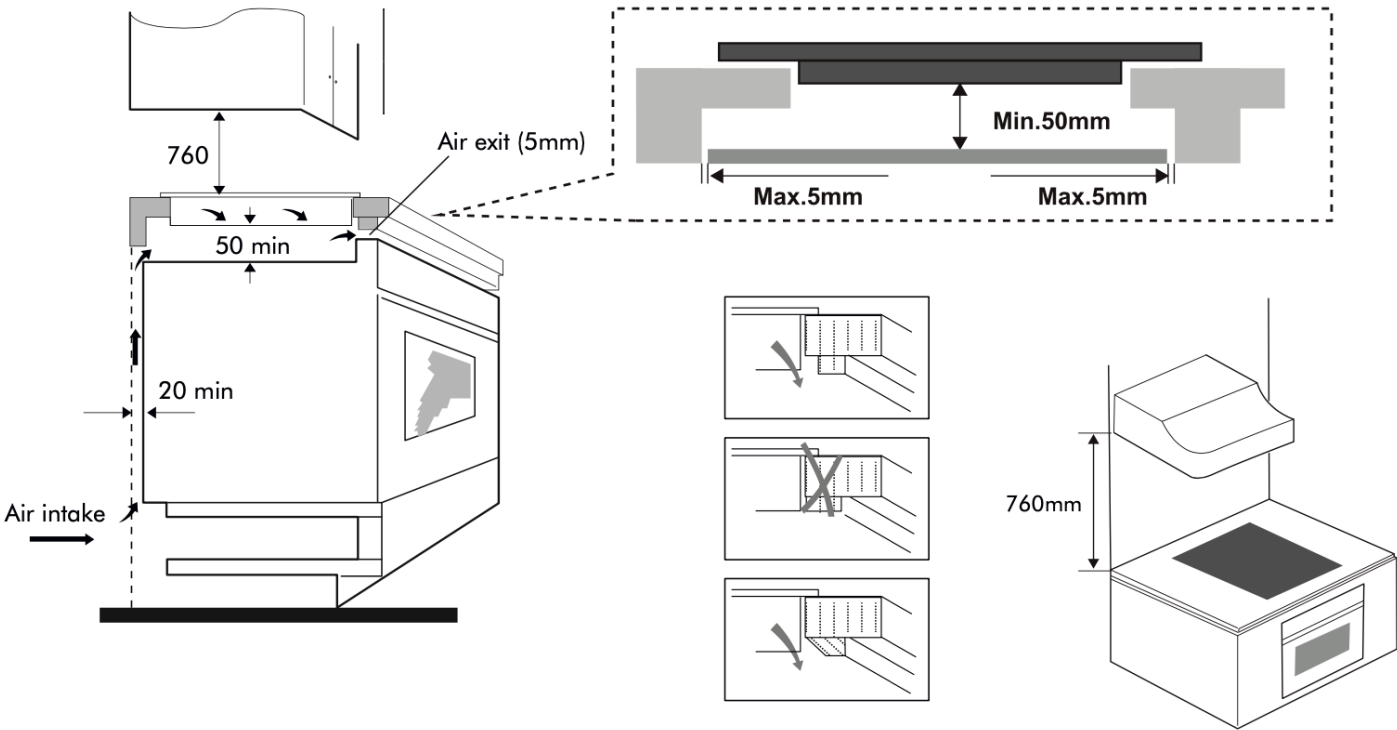
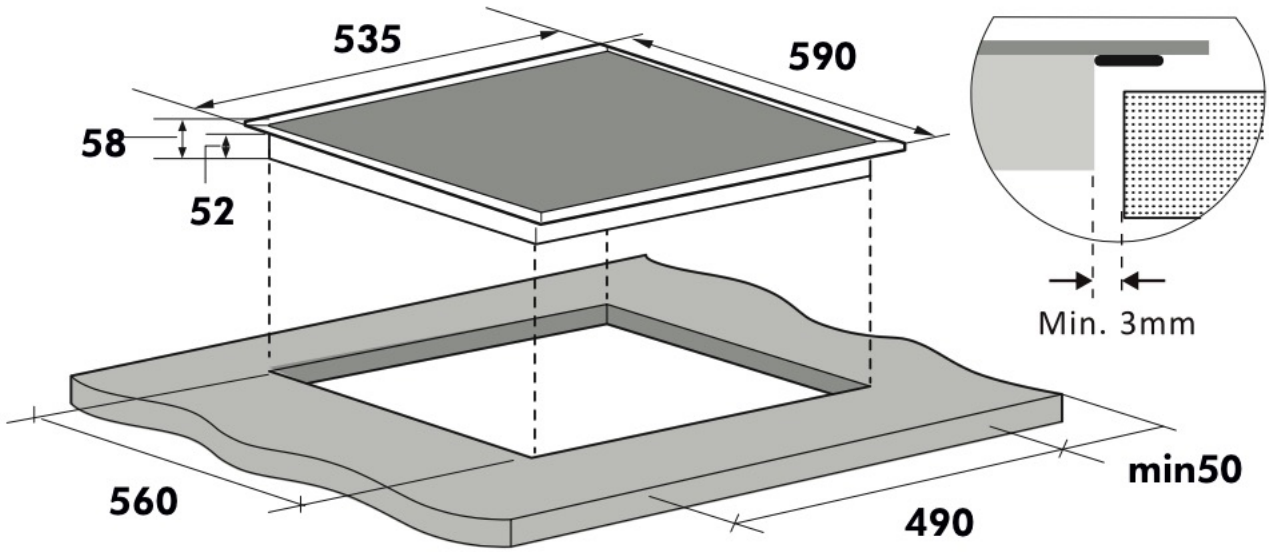
Packed dimensions:	665 (L) x 630 (W) x 130 (H) mm
Packed weight:	10.3kg
Unpacked dimensions:	590 (L) x 535 (W) x 58 (H) mm
Unpacked weight:	8.3kg
Cutout Dimensions:	560 (L) x 490 (W) mm



Nice• LS60I3Z

60cm 3 Zone Ceramic Cooktop

Installation Drawings



Please refer to the user manual for detailed installation instructions.