

Nates • LYBIH52BG

52cm Undermount Range Hood

Signature Features

High Performance

• Powerful air extraction of up to 600m³/h and enhanced by a 3-speed fan mode, you can boil, simmer and stir-fry.

Optimal Clean Air

• Equipped with 3-layer filters for optimal smoke and odor absorption capacity.

Eco Friendly LED Lights

• Environmentally responsible LED lights (2 * 1.5 W) provide ample clarity over the cooking area

Intuitive Touch Control

• Easy to understand and easy to operate, so you can easily adjust the power and access all the important functions at your fingertips

Easy to Clean

• Surface of the rangehood can be easily wiped down and the 3-layer aluminum micro-mesh filter can be easily hand-washed to maintain its optimal performance

Head-free Design

• Sleek and head-free design gives the kitchen a modern touch and an optimal view of your cooktop



600 m ³ /h Powerful Air Extraction	Touch Control	3 Speeds	Layered Filter	Clean Air	Head Free Design	LED Lights	Easy Cleaning	Ductless Installation	Easy Installation	Compact Design	Quiet Operation
--	--------------------------	--------------------	---------------------------	----------------------	-----------------------------	-----------------------	--------------------------	----------------------------------	------------------------------	---------------------------	----------------------------



Nates • LYBIH52BG

52cm Undermount Range Hood

Technical Features

Materials / Color:	Black glass + Galvanized body
Installation:	Built-in undermount
Voltage / Frequency:	220-240V, 50-60Hz
Current Amps:	1.1A
Power cable:	1.5m

Range Hood Features

Power Levels:	3 Speeds
Control Display:	Touch Control
Max. Air Extraction Power:	600m ³ / h
Motor Power:	230W
Rated Lamp Power (each):	1.5W
LED Lights:	2
Sound Power Level:	68dB

Filter Features

Aluminum/Stainless Steel Surface Filter:	3 layers (1 piece)
Activated Charcoal Filter:	No
<i>*Charcoal filter is not included and can be purchased separately; size: ϕ175*35mm</i>	
Duct pipe:	1.5m aluminum foil

Dimensions & Weight

Packed dimensions:	580 (W) x 335 (D) x 340 (H) mm
Packed weight:	8kg
Unpacked weight:	6.8kg

EAN Number

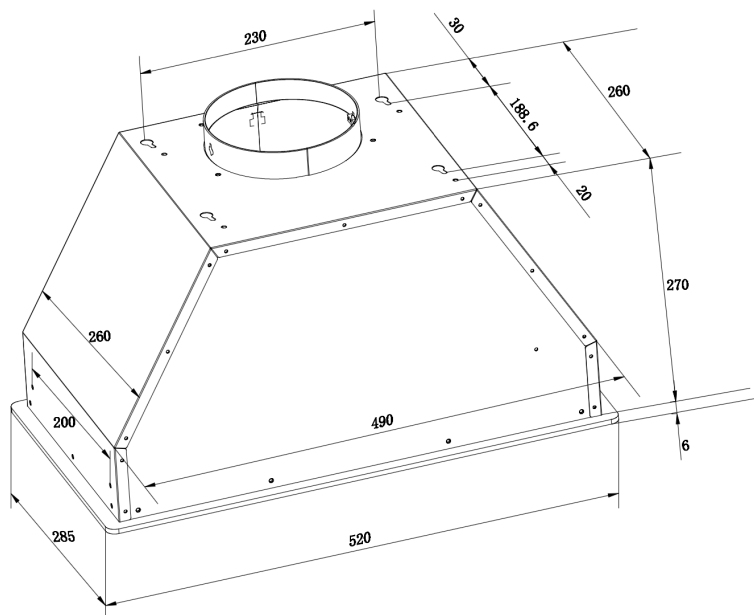
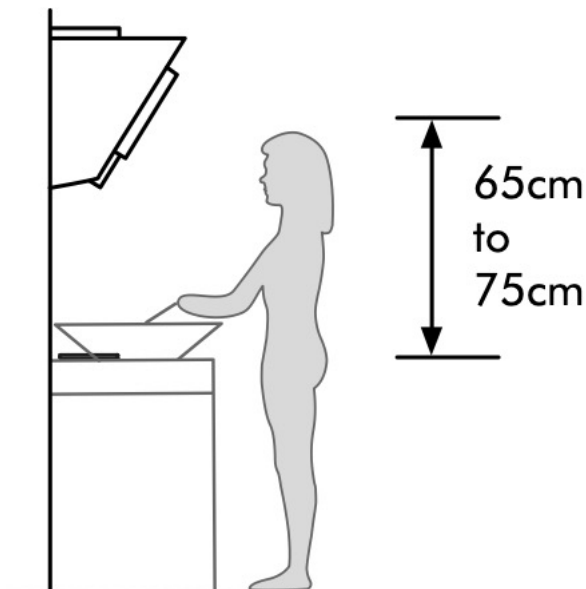
• 0731093140693

Warranty

• Two (2) year parts and labor

**Extend your warranty by registering your product linarie.com.au*

Installation Drawings



Please refer to the user manual for detailed installation and for filter replacement instructions. Insufficient distance between the cooktop and the rangehood can result in damage to the rangehood.