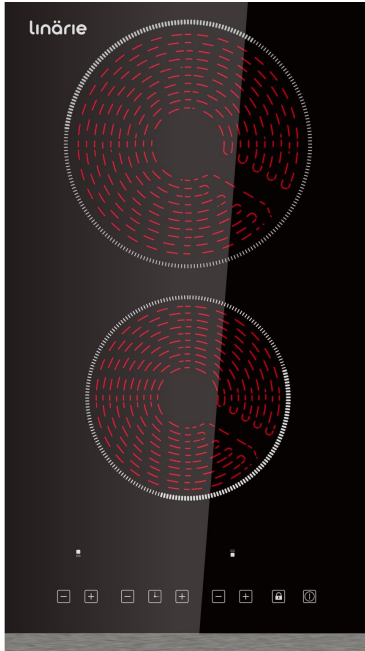


# Limoges • LS30C2Z

## 30cm Domino Ceramic Cooktop



### Signature Features

#### Vitroc ceramic Technology

- Heat is seamlessly distributed throughout each ceramic cooking zone for the best results while using energy efficiently

#### Residual Heat Indicator

- Residual heat indicators to visually remind you when the cooktop is still hot to touch

#### 9 Power Levels

- 9 adjustable power levels for faster heating

#### 99min Pre-Set Timer

- Heating automatically stops when the cooking time is up

#### Intuitive Touch to Slide Control

- Easy to understand and easy to operate, so you can easily adjust the temperature and access all of the important functions at your fingertips

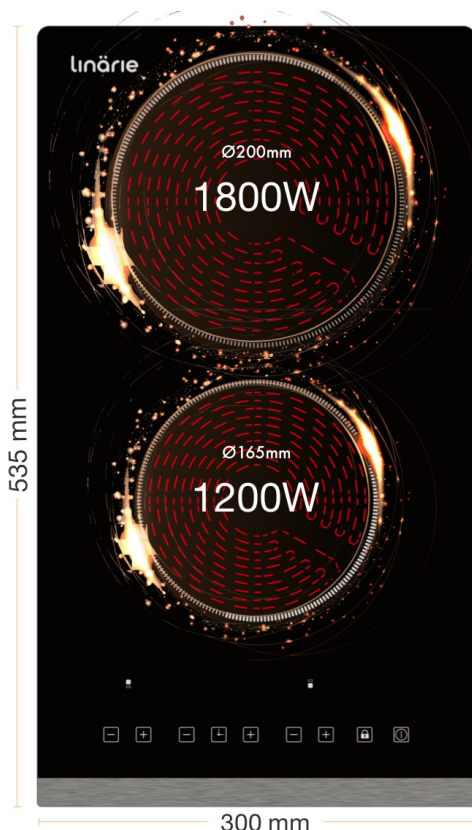


### Cooking Size & Output

- Front Left Zone: Ø 165mm • 1200W
- Rear Left Zone: Ø 200mm • 1800W

### Specifications

- 9 Power Levels
- 99min pre-set timer



### Safety Features

- Residual heat indicator
- Childproof lock
- Automatic switch-off
- Pan sensors

### Warranty

- Two (2) year parts and labor
- \*Extend your warranty by registering your product [linarie.com.au](http://linarie.com.au)*

### Cookware Compatibility

- Induction cooktops are only compatible with cookware made from magnetic material.

# Limoges• LS30C2Z

## 30cm Domino Ceramic Cooktop

### Technical Features

Materials / Color:	Black glass with stainless steel
Installation:	Top-mount
Cooktop ignition:	Vitroc ceramic
Voltage / Frequency:	220-240V, 50/60Hz
Total Power:	3000W
Current:	13.64A
Cord Length:	1.5m
Australian Plug:	Yes

### Control Features

Control display:	Touch
Position of controls:	Center front
Separate controls for each zone:	Yes
Pre-ser timer:	99min, countdown
Time buzzer:	Yes
On/Off indicator light:	Yes
Indicators / Display:	Fault indicator, residual heat

### Safety Features

Residual heat indicator:	Yes
Child safety lock:	Yes
Overflow safety switch-off:	Yes
Overheat safety system:	Yes
Automatic switch off:	Yes

### Cooking Zones

Control Levels:	9 per zone
Front Left Zone:	Ø 165mm • 1200W
Rear Left Zone:	Ø 200mm • 1800W

### Dimensions & Weight

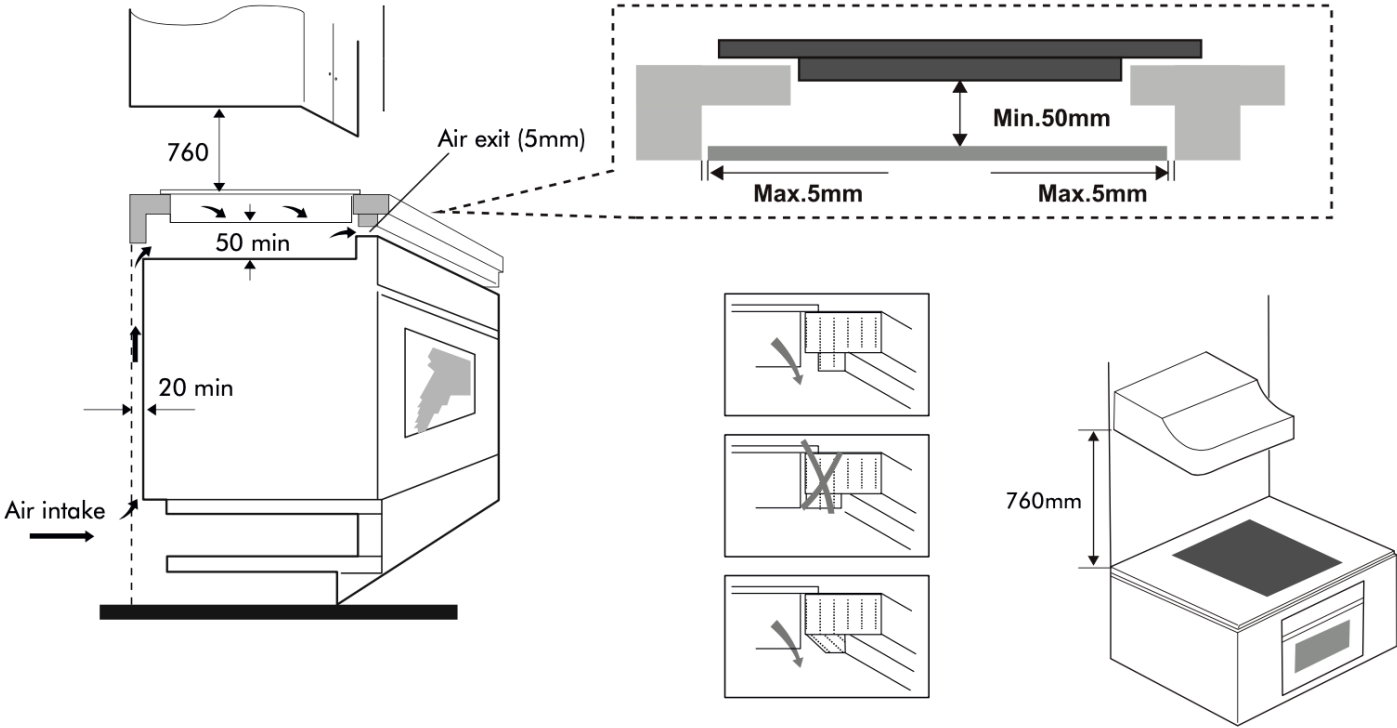
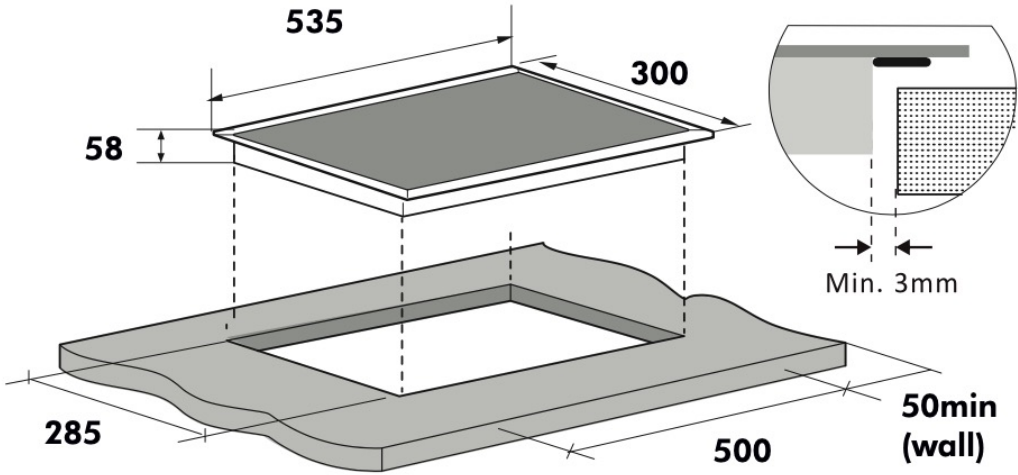
Packed dimensions:	625 (L) x 370 (W) x 115 (H) mm
Packed weight:	5.6kg
Unpacked dimensions:	535 (L) x 300 (W) x 58 (H) mm
Unpacked weight:	4.7kg
Cutout Dimensions:	500 (L) x 285 (W) mm



# Limoges<sup>®</sup> LS30C2Z

## 30cm Domino Ceramic Cooktop

### Installation Drawings



Please refer to the user manual for detailed installation instructions.