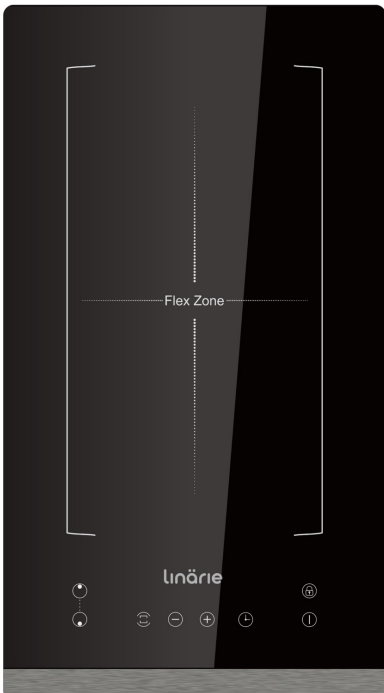


Grenoble • LS30I1F

30cm Domino Induction Cooktop with Flex Zone



Signature Features

Ultra-compact

• Optimal space-saving design to fit in every kitchen, allowing you to utilize the cabinets directly underneath the cooktop

Flex Zone

• Greater flexibility across the cooktop by combining 2 cooking zones to create a larger cooking space

9 Power Levels & 6 Cooking Modes

• 9 adjustable power levels for faster heating and 6 different cooking modes so that you can masterchef at ease

99min Pre-Set Timer

• Heating automatically stops when the cooking time is up

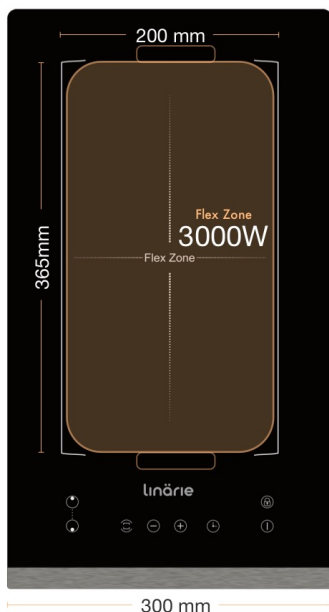
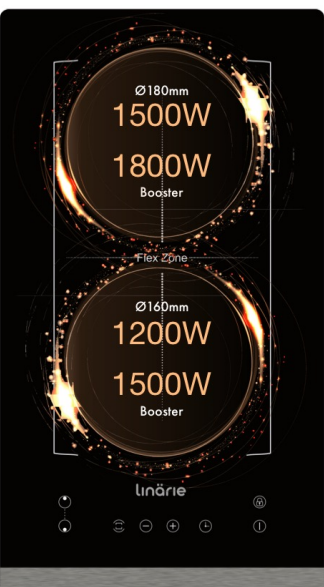
Intuitive Touch Control

• Easy to understand and easy to operate, so you can easily adjust the temperature and access all of the important functions at your fingertips



Cooking Size & Output

- Front Zone: Ø 160mm • 1200W | 1500W
- Rear Zone: Ø 180mm • 1500W | 1800W
- Flex Zone: 365 x 200mm • 3000W



Specifications

- 6 Cooking Modes
 - BBQ
 - Fry
 - Hot-pot
 - Soup
 - Water
 - Keep warm
- 99min pre-set timer

Safety Features

- Residual heat indicator
- Childproof lock
- Automatic switch-off
- Pan sensors

Warranty

- Two (2) year parts and labor
- *Extend your warranty by registering your product linarie.com.au

Cookware Compatibility

• Induction cooktops are only compatible with cookware made from magnetic material.

Grenoble • LS30I1F

30cm Domino Induction Cooktop with Flex Zone

Technical Features

Materials / Color:	Black glass with stainless steel
Installation:	Top-mount
Cooktop ignition:	Induction
Voltage / Frequency:	220-240V, 50/60Hz
Total Power:	3300W
Current:	15A
Cord Length:	1.5m
Australian Plug:	Yes

Control Features

Control display:	Touch
Position of controls:	Center front
Separate controls for each zone:	Yes
Flex Zone:	Yes
Pre-ser timer:	99min, countdown
Time buzzer:	Yes
On/Off indicator light:	Yes
Cooking Modes	6 [BBQ, Fry, Hot-pot, Soup, Water, Keep warm]
Indicators / Display:	Fault indicator, residual heat

Safety Features

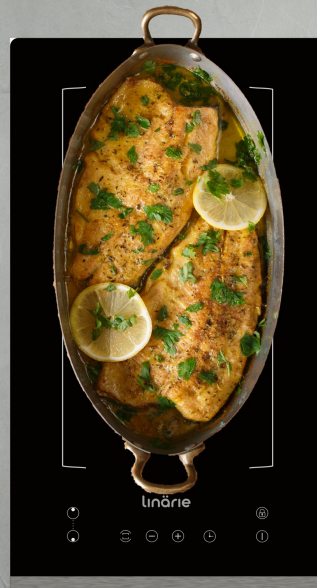
Residual heat indicator:	Yes
Child safety lock:	Yes
Overflow safety switch-off:	Yes
Overheat safety system:	Yes
Automatic switch off:	Yes
Pan size sensors:	Yes

Cooking Zones

Control Levels:	9 per zone
Booster Function:	Yes
Front Zone:	∅ 160mm • 1200W 1500W Booster
Rear Zone:	∅ 180mm • 1500W 1800W Booster
Flex Zone:	365 x 200mm • 3000W

Dimensions & Weight

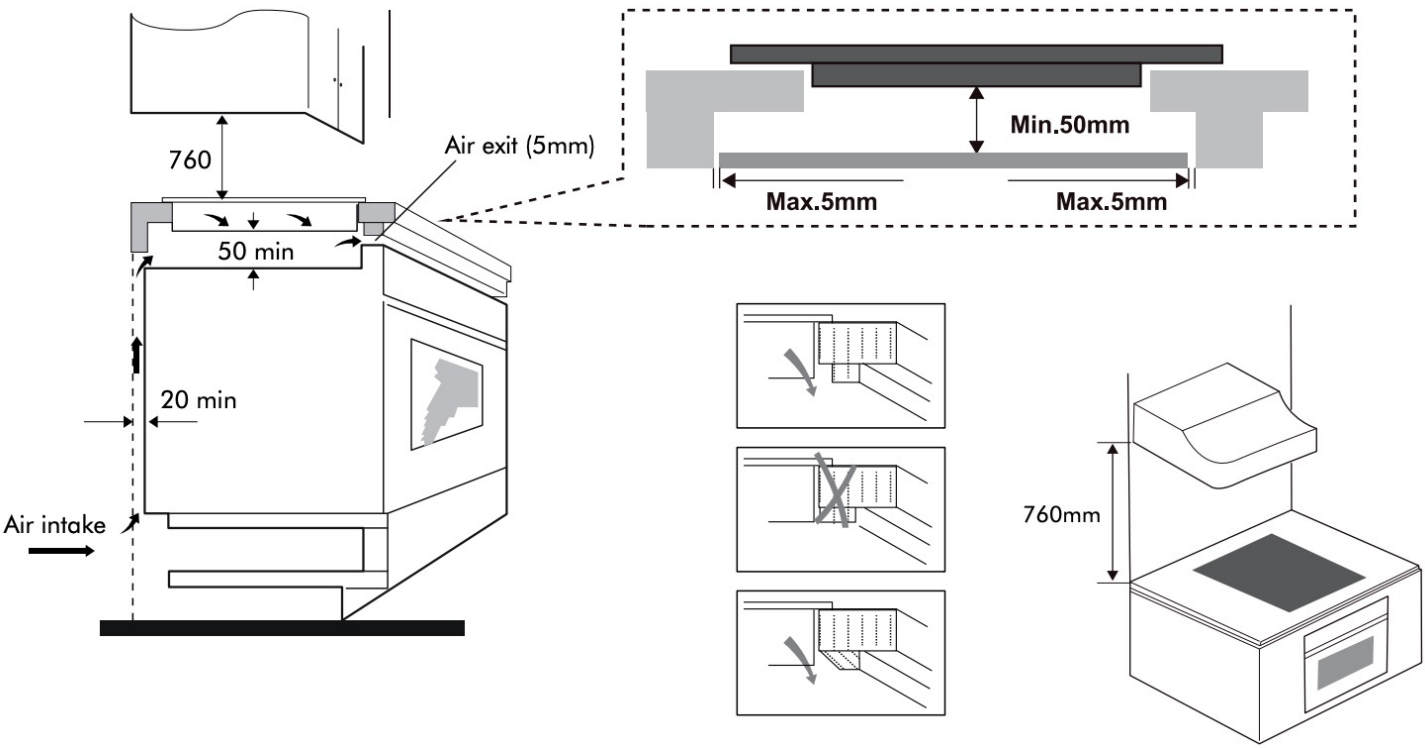
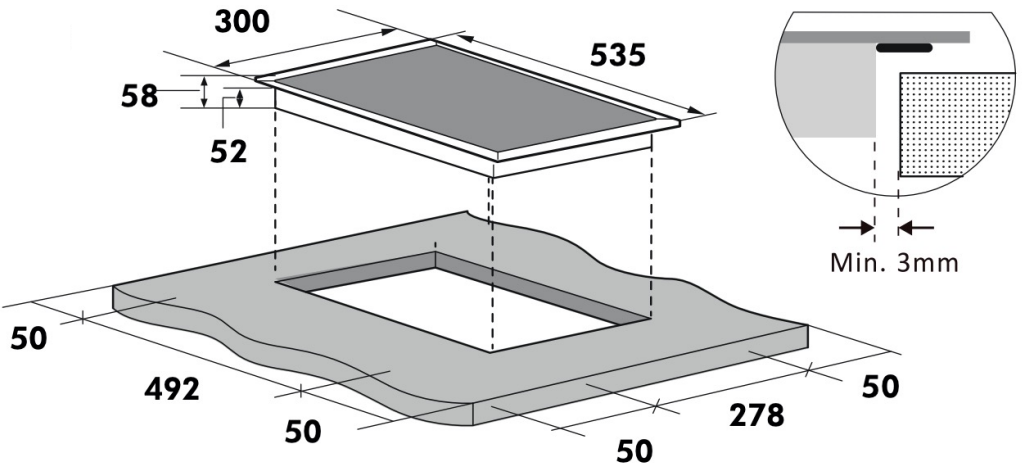
Packed dimensions:	625 (L) x 370 (W) x 115 (H) mm
Packed weight:	5.1kg
Unpacked dimensions:	535 (L) x 300 (W) x 58 (H) mm
Unpacked weight:	4.4kg
Cutout Dimensions:	492 (L) x 278 (W) mm



Grenoble • LS30I1F

30cm Domino Induction Cooktop with Flex Zone

Installation Drawings



Please refer to the user manual for detailed installation instructions.