

Calvi • LJMO20XBI

20L Solo Built-In Microwave Oven

Signature Features



FlatWave Technology
• FlatWave technology combined with the Tidal Wave technology in the cavity seamlessly distributes heat throughout the entire oven for the best cooking results

Flatbed Design
• Flatbed design makes removing grease or oil effortless
• Scratch-resistant and easy-to-clean interior

Intuitive Display
• Ease of use with innovative design. Access a variety of features on the LED display panel for optimal performance at the convenience of your fingertips

Available Colors
Stainless Steel Panel & Matching Trim Kit



Microwave



Defrost



Child Lock



Warranty

Conventional Turntable



Features

- 20L Capacity
- FlatWave Technology
- Tidal Wave Technology
- 700W of Cooking Power
- 5 Power Levels
- LED Display

Convenience

- Clock (24hr)
- Child Safety Lock
- Pre-Set Timer Function
- Completion Beeper
- Auto-Weight Defrost
- Quick-Reheating
- Push handle door

Accessories

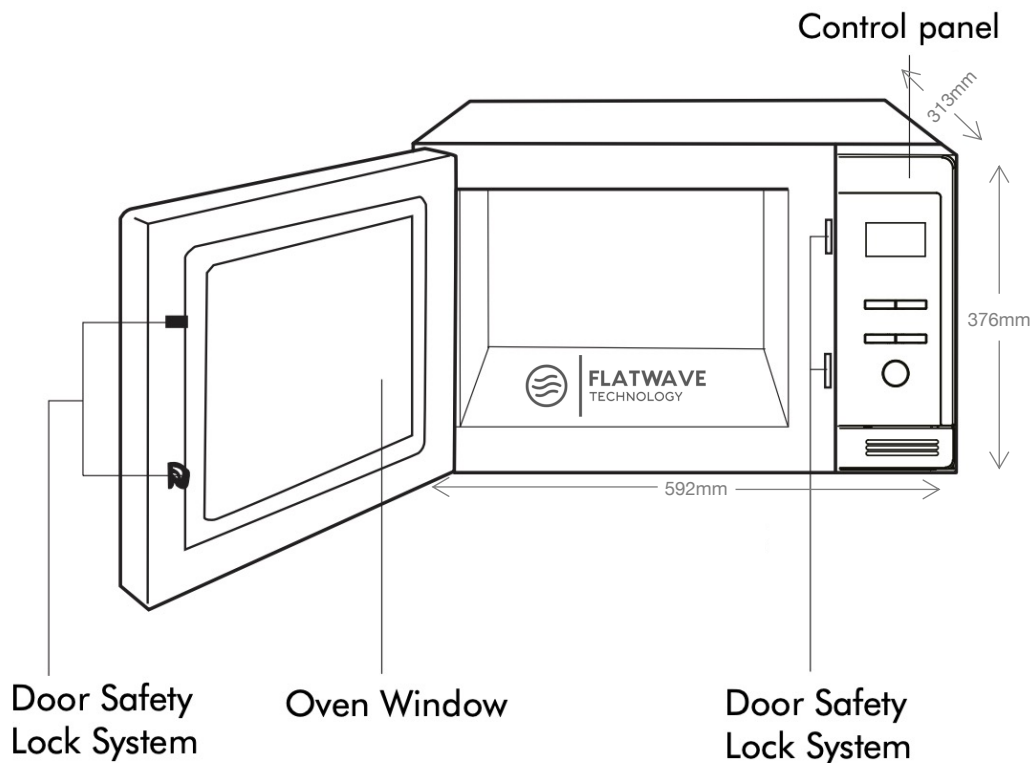
- Matching Trim Kit

Accessories Compatibility

available for purchase at linarie.com.au
• Stainless Steel Microwave Steamer

Calvi • LJMO20XBI

20L Solo Built-In Microwave Oven



Specifications

- Oven Cavity: 20L
- Microwave Distribution System: Flatbed
- Power Output: 700W
- Quick-Reheating
- Weight-Defrosting
- Control Method: Electronic Touch
- Display: LED (red)
- Light: Incandescent
- Pre-Set Timer Function: 60 Minutes
- Noise Level: <65db
- Operating Frequency: 2450MHz
- Power Consumption: 1080W/8 A
- Power Source: 220-240V / 50 Hz

Product Dimensions & Weight

- Outside: 592 (W) x 376(H) x 313 (D) mm
- Cavity: 315 (W) x 211 (H) x 296 (D) mm
- Weight: 11.3 kg (including accessories)

Trim Kit Dimension

- Frame: 592 (W) x 390 (H) x 20 (D) mm
- Cavity: 566-580 (W) x 365-380 (H) x 550 (D) mm

Shipping Dimensions & Weight

- Dimensions: 706 (W) x 403 (H) x 468 (D) mm
- Weight: 13.3 kg

Warranty

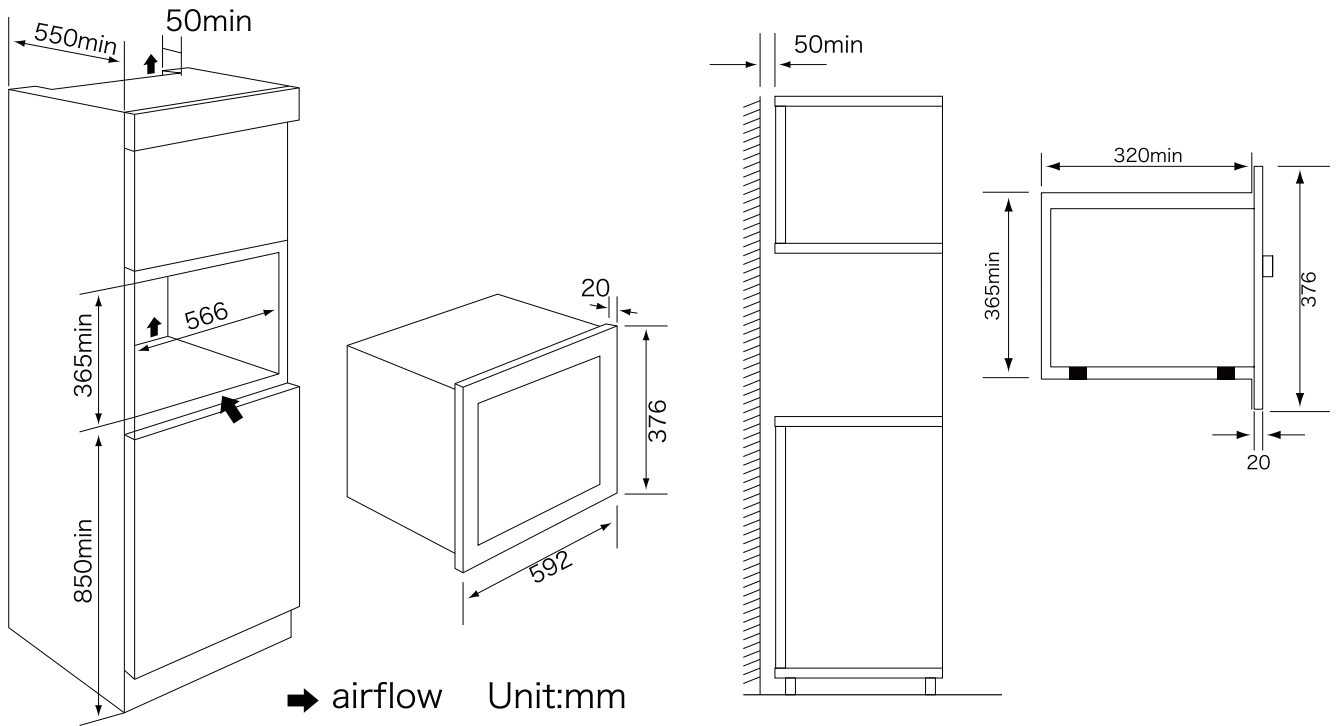
Two (2) Year Parts and Labor

*Extend your warranty by registering your product linarie.com.au

Calvi • LJMO20XBI

20L Solo Built-In Microwave Oven

Installation



Installation in top cabinet

