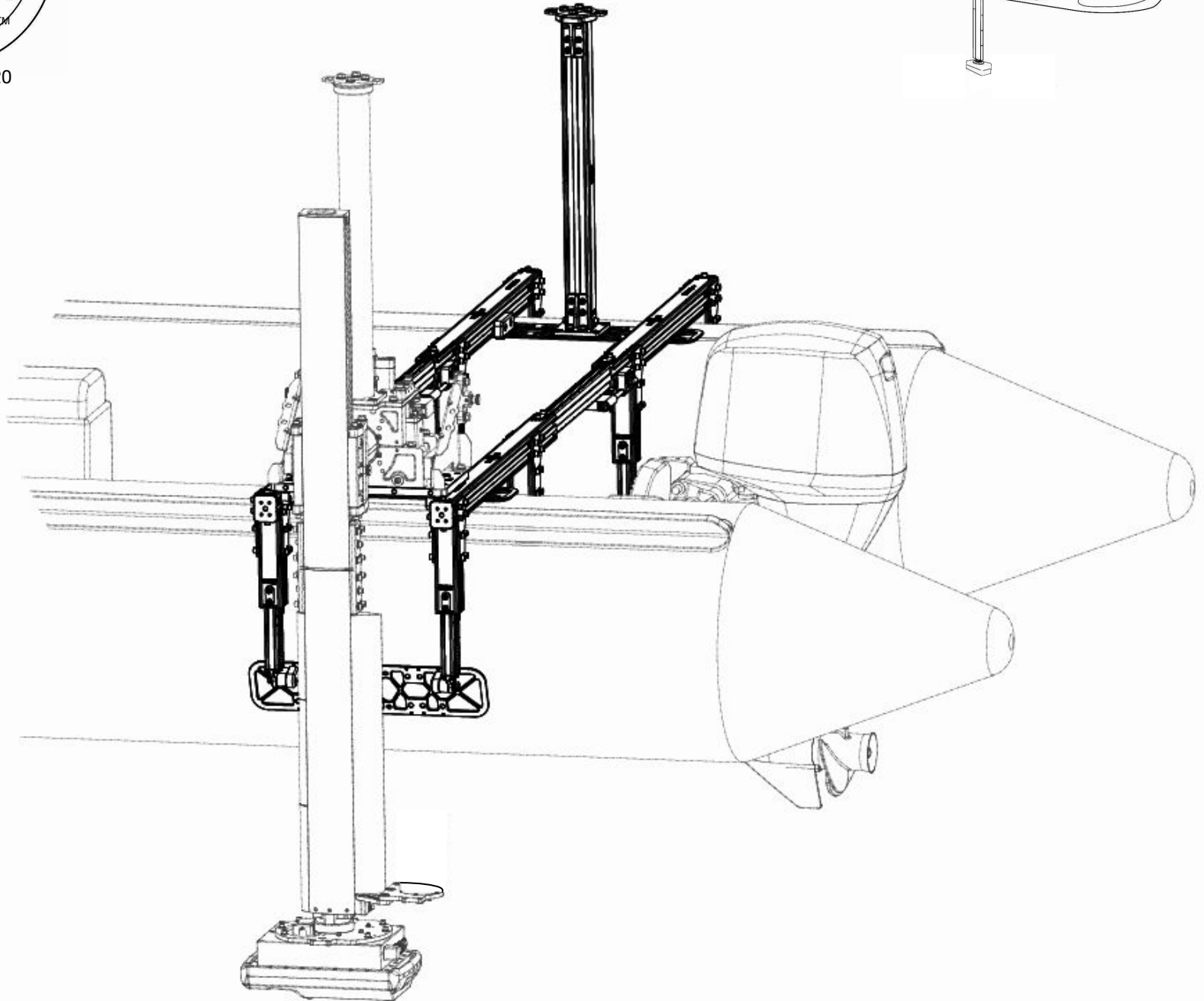
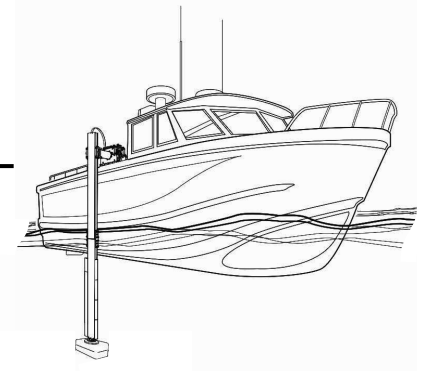




Patent #8094520

RHIB KIT

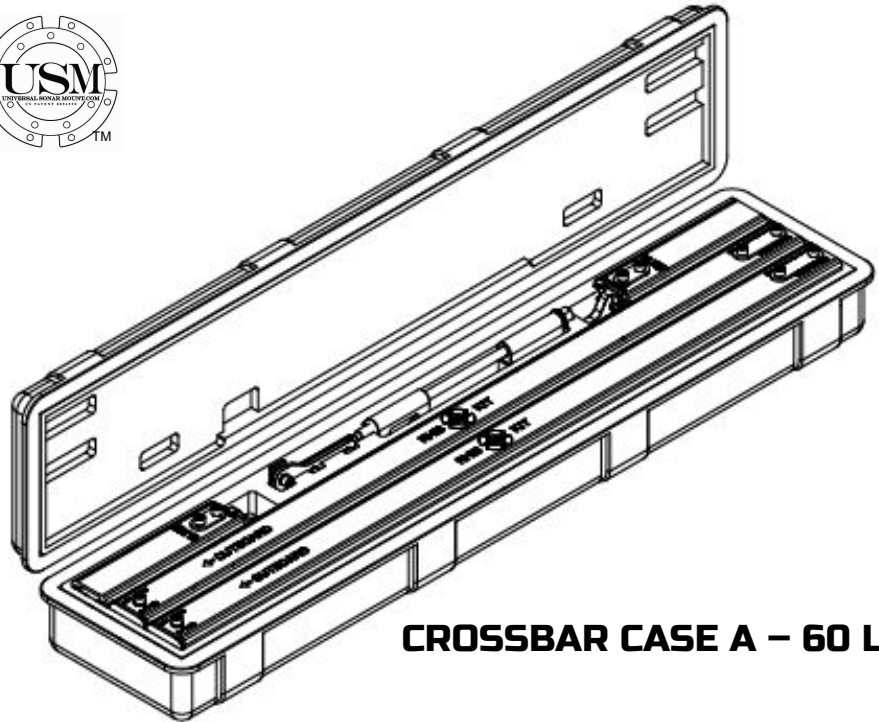
USER MANUAL



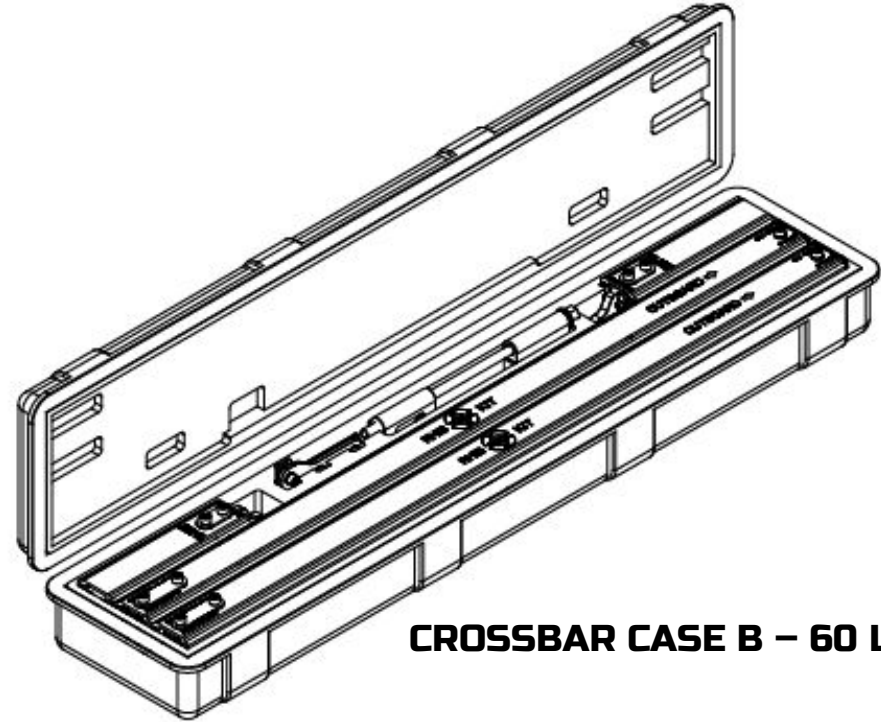
SCAN FOR VIDEO



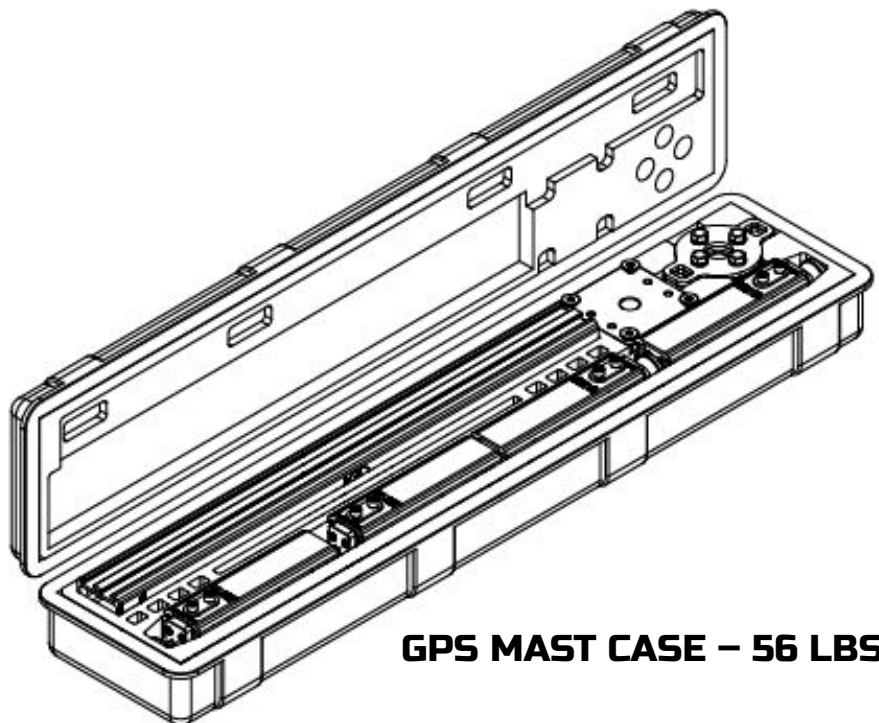
SCAN FOR ALL
USM VIDEOS



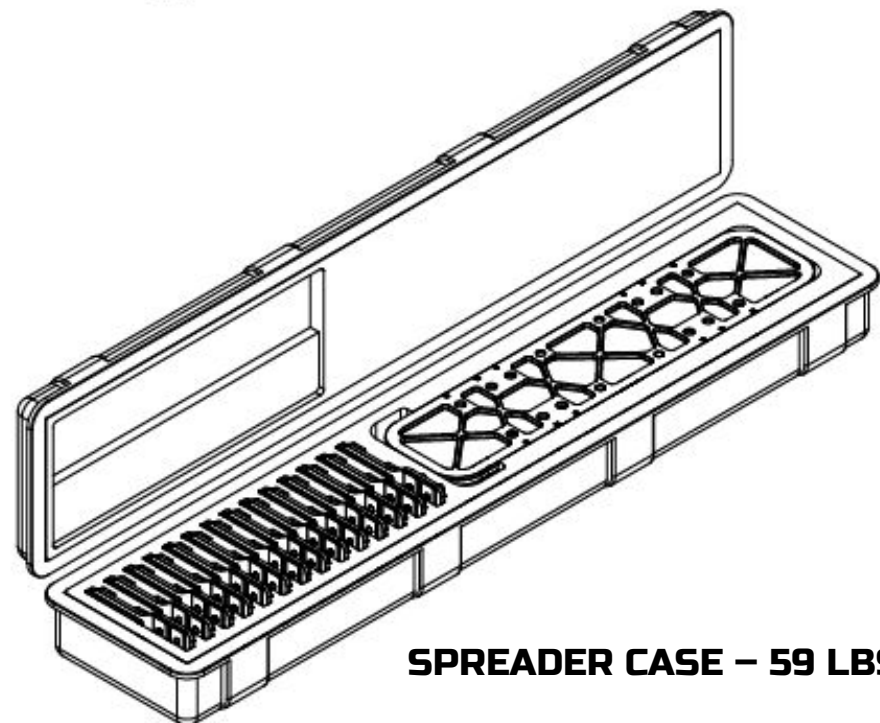
CROSSBAR CASE A – 60 LBS



CROSSBAR CASE B – 60 LBS



GPS MAST CASE – 56 LBS

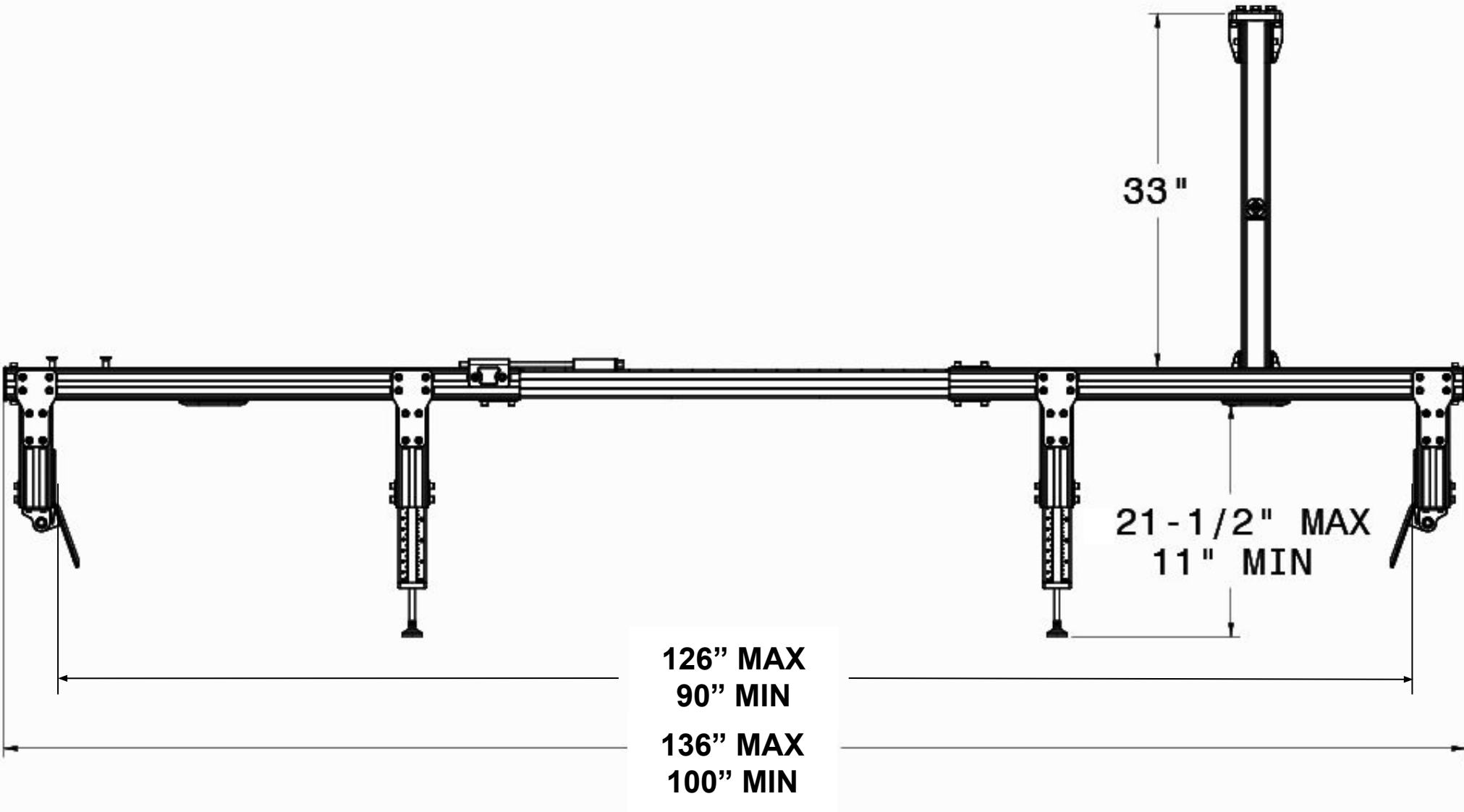


SPREADER CASE – 59 LBS

WIDTH – 11 ½” LENGTH – 50 ½” HEIGHT – 6”

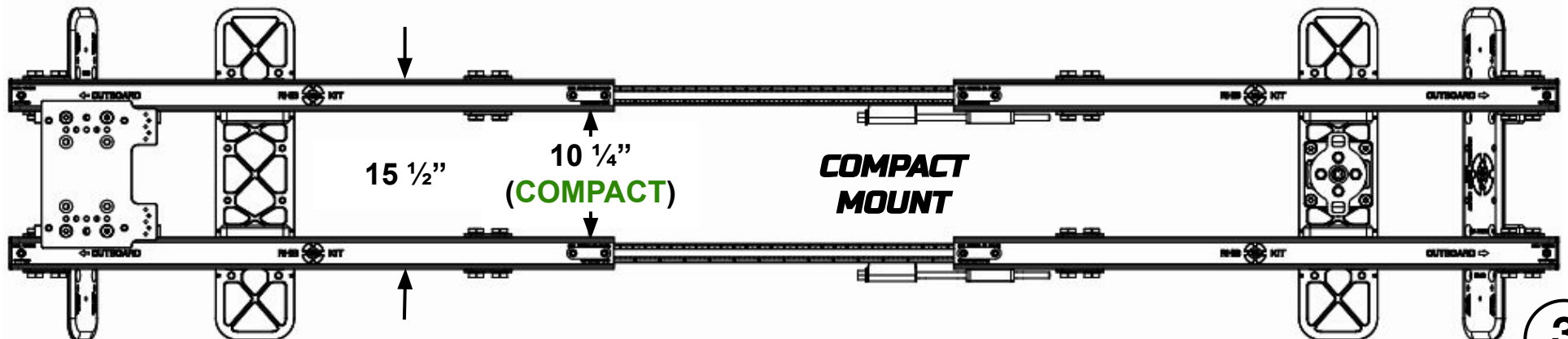
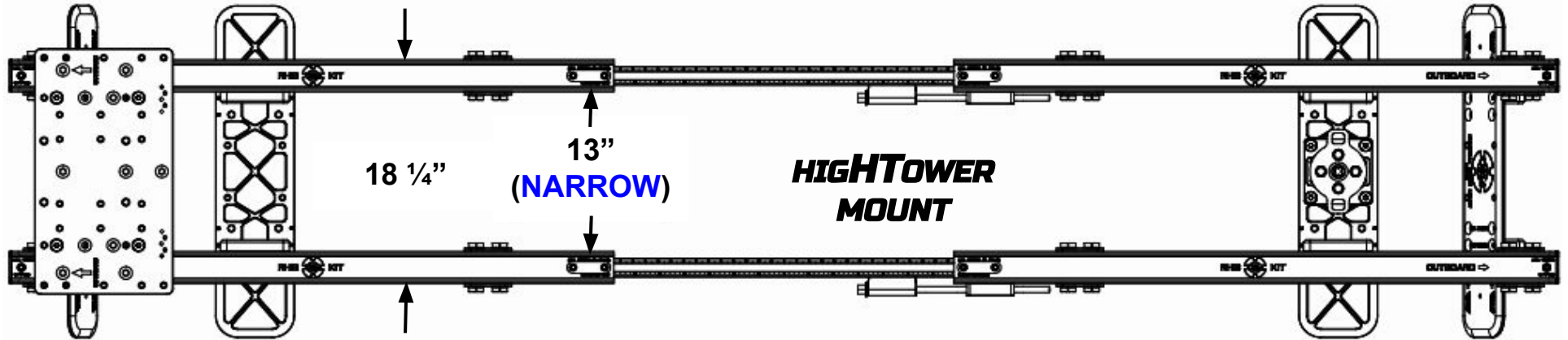
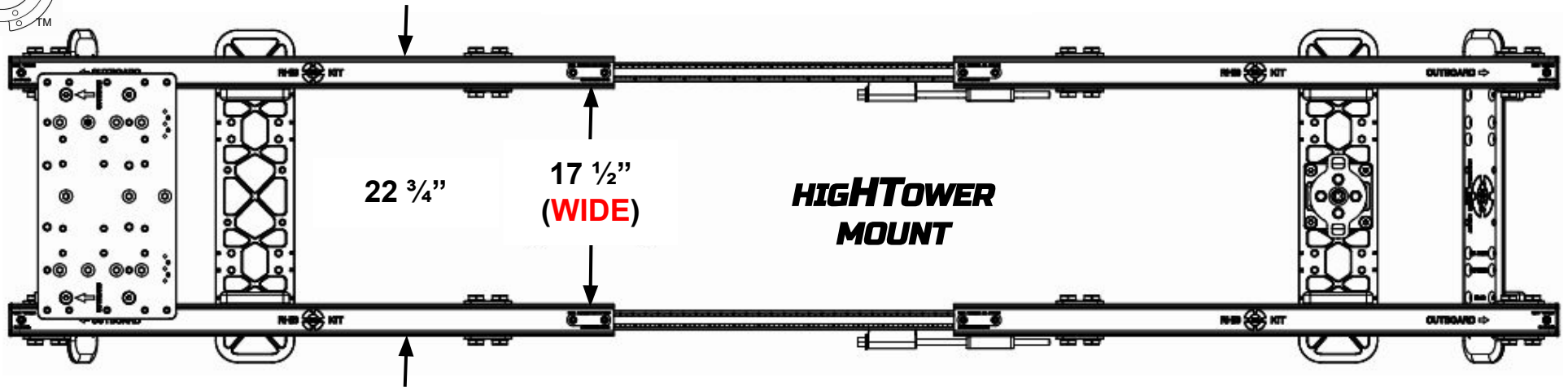


LENGTH SETTINGS



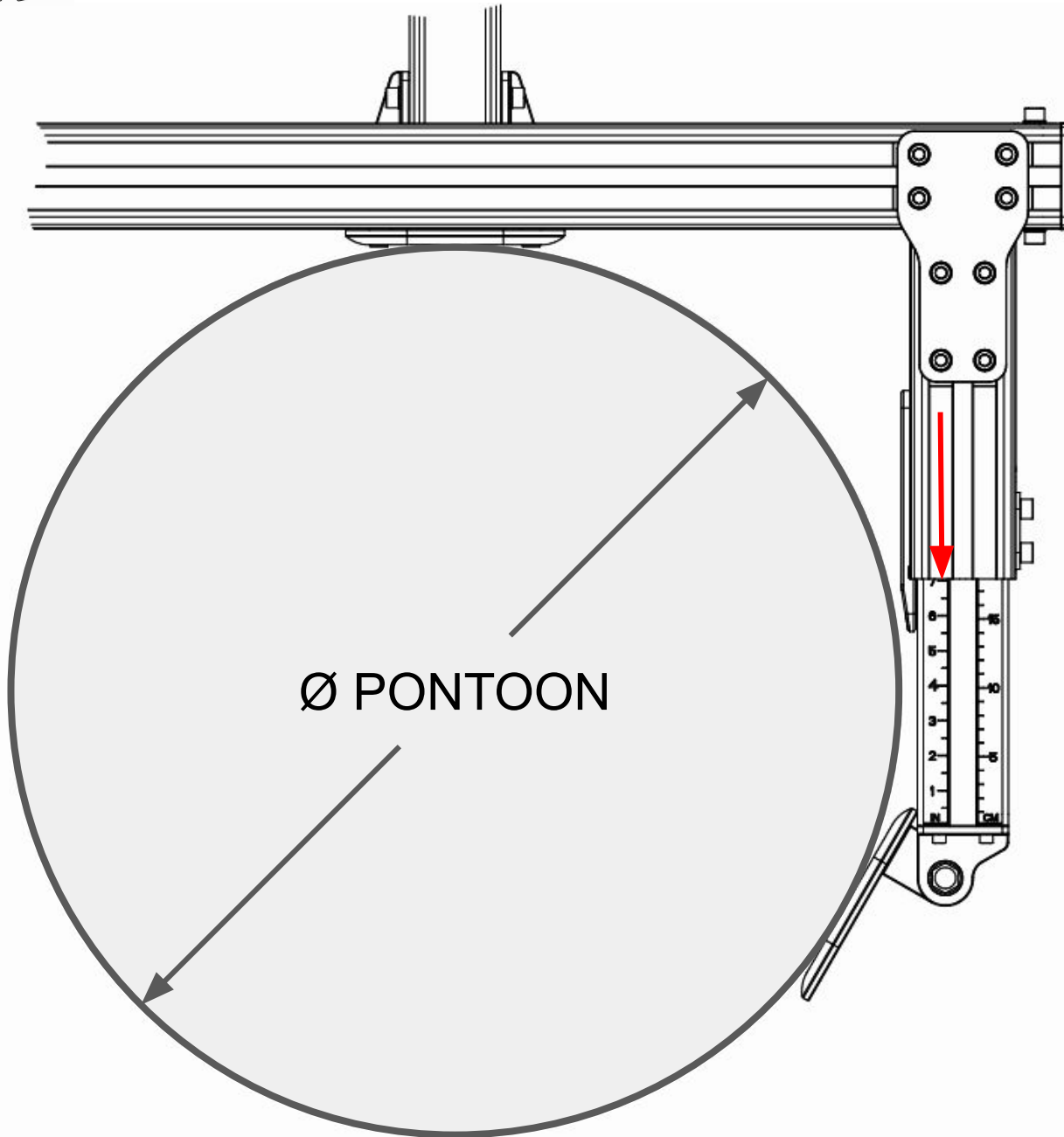


WIDTH SETTINGS

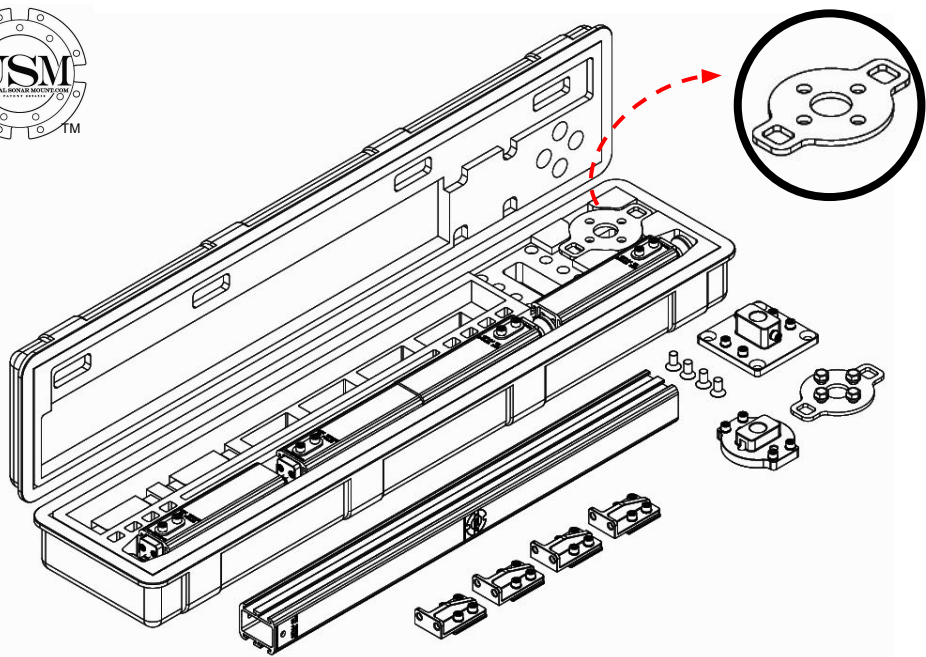




OUTRIGGER SETTINGS

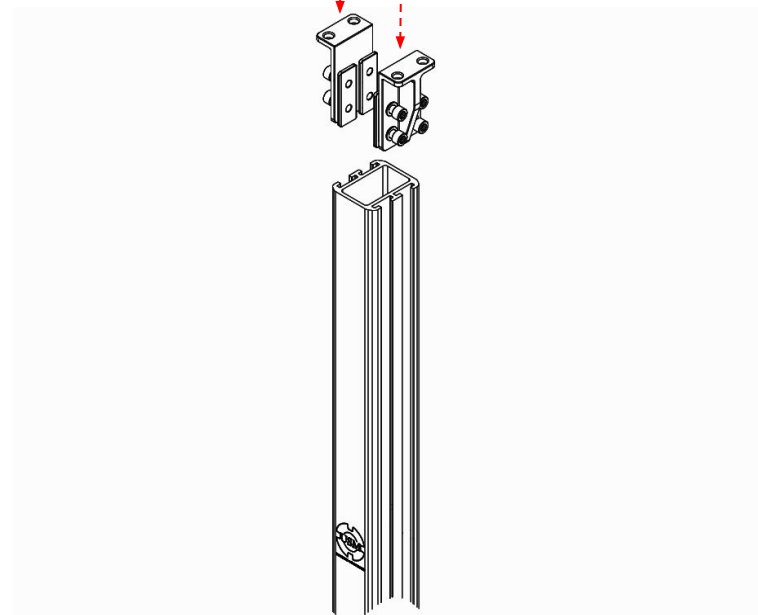


Pontoon Diameter	Recommended Setting
$\leq 16''$	0" (MIN)
17"	$\frac{1}{2}'' - 1''$
18"	1 $\frac{1}{2}''$
19"	2"
20"	2 $\frac{1}{2}''$
21"	3" - 3 $\frac{1}{2}''$
22"	4"
23"	4 $\frac{1}{2}''$
24"	5" - 5 $\frac{1}{2}''$
25"	5 $\frac{1}{2}'' - 6''$
26"	6 $\frac{1}{2}''$
$\geq 27''$	7" (MAX)



GPS MAST ASSEMBLY - Prepare parts for GPS Mast assembly. Set aside one Strap Flange.

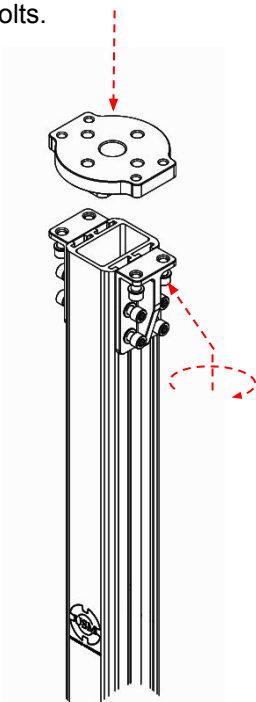
1



INSTALL UPPER MAST GUSSETS - Slide the Mast Gussets into the Mast Tracks.

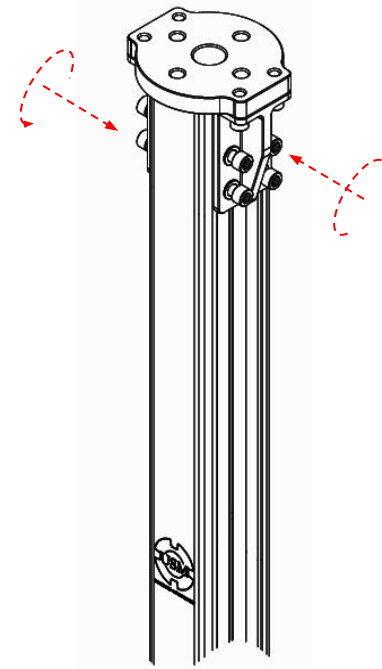
2

INSTALL MAST CAP - Slide Mast Cap onto top of GPS Mast, tighten Gusset/Cap bolts.

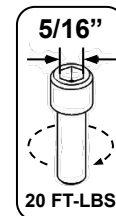


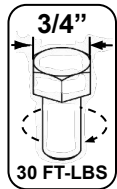
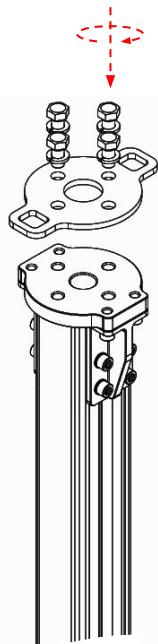
3

TIGHTEN TRACK BOLTS - Tighten Track bolts for Mast Gussets.



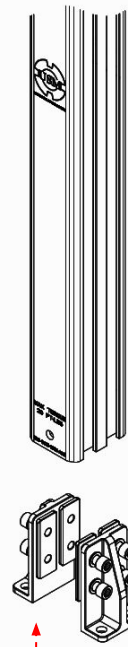
4





INSTALL STRAP FLANGE - Install flange and fasten to Mast Cap.

5

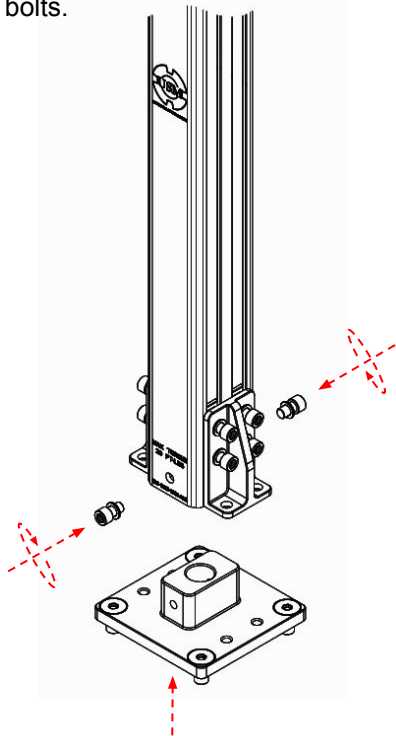


INSTALL LOWER MAST GUSSETS - Slide the Mast Gussets into the Mast Tracks.

6

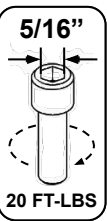
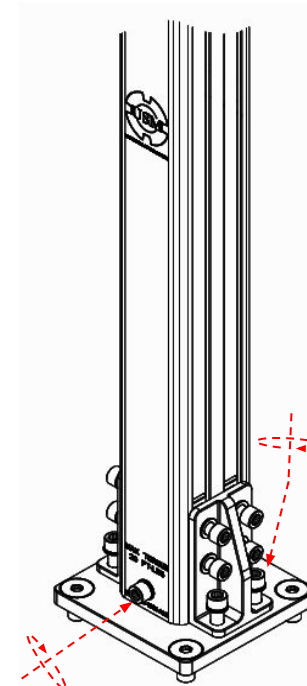
INSTALL MAST BASE - Slide Mast Base onto bottom of GPS Mast, then install locating bolts.

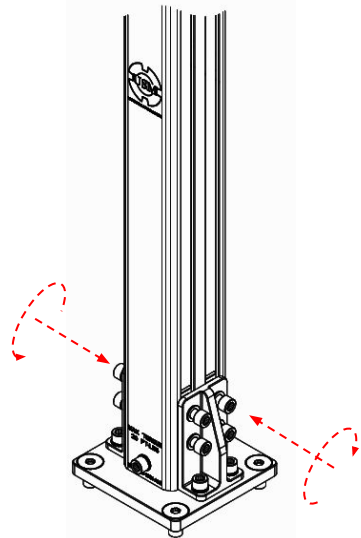
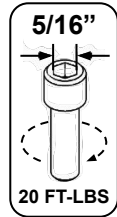
7



TIGHTEN BOLTS - Tighten Gusset/Base bolts and Locating bolts.

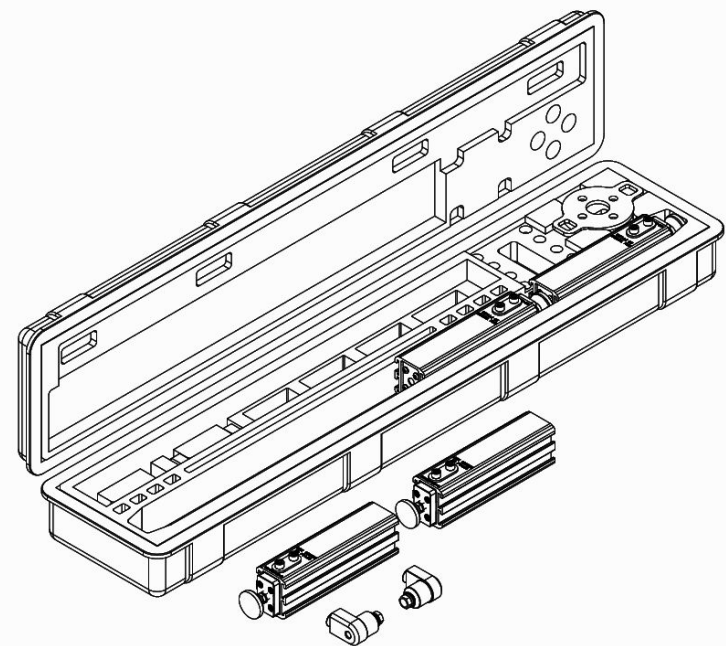
8





TIGHTEN TRACK BOLTS - Tighten Gusset Track bolts.

9

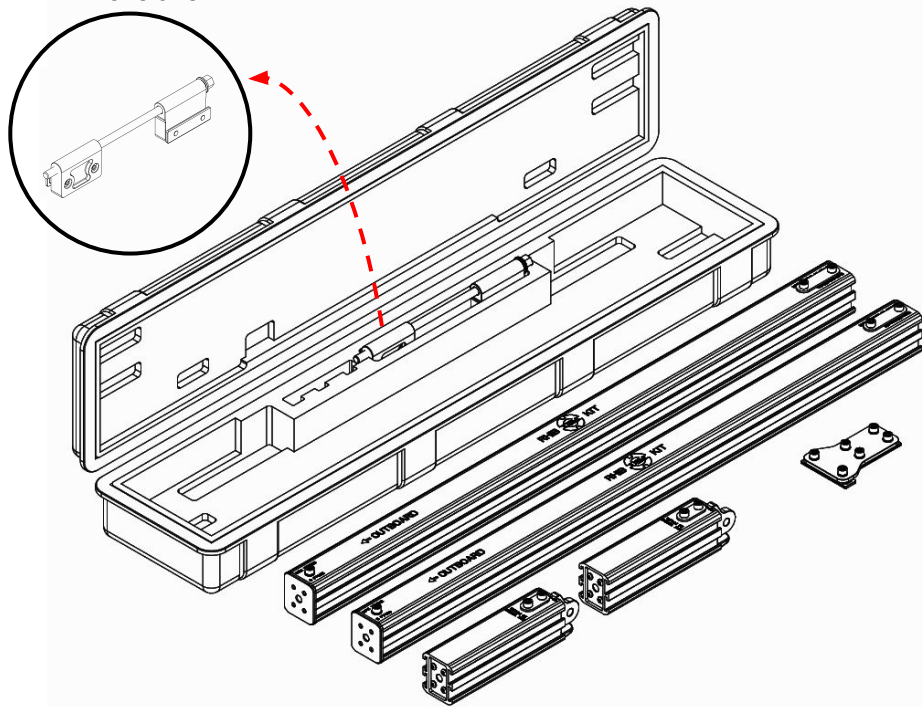


CROSS BAR ASSEMBLY, MOUNT SIDE - Prepare parts for Cross Bar assembly, A. Remove two Adjustable Legs and two Pivot Mounts from GPS Case.

10

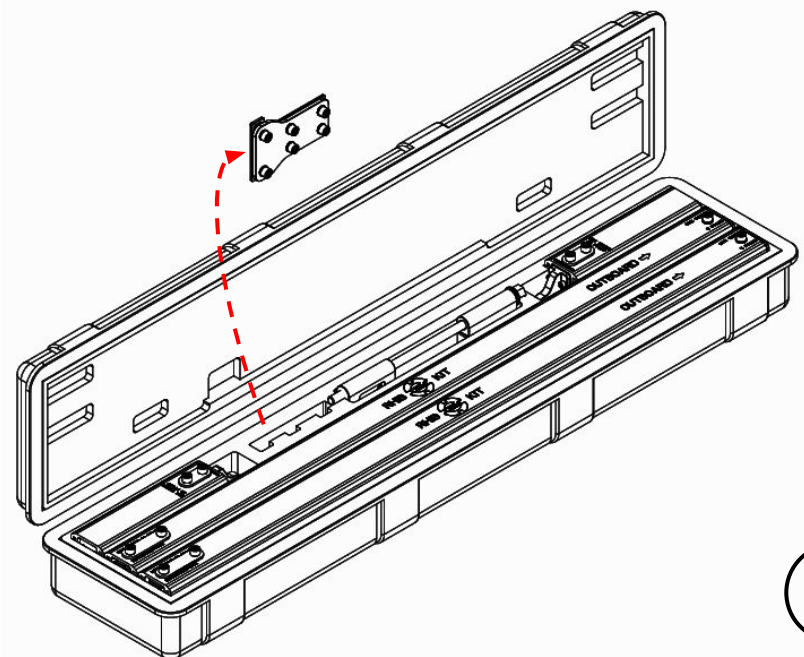
CROSS BAR ASSEMBLY, MOUNT SIDE - Remove Cross Bars, Down Riggers, Single-Track Clamping Plate. Set aside Tensioner.

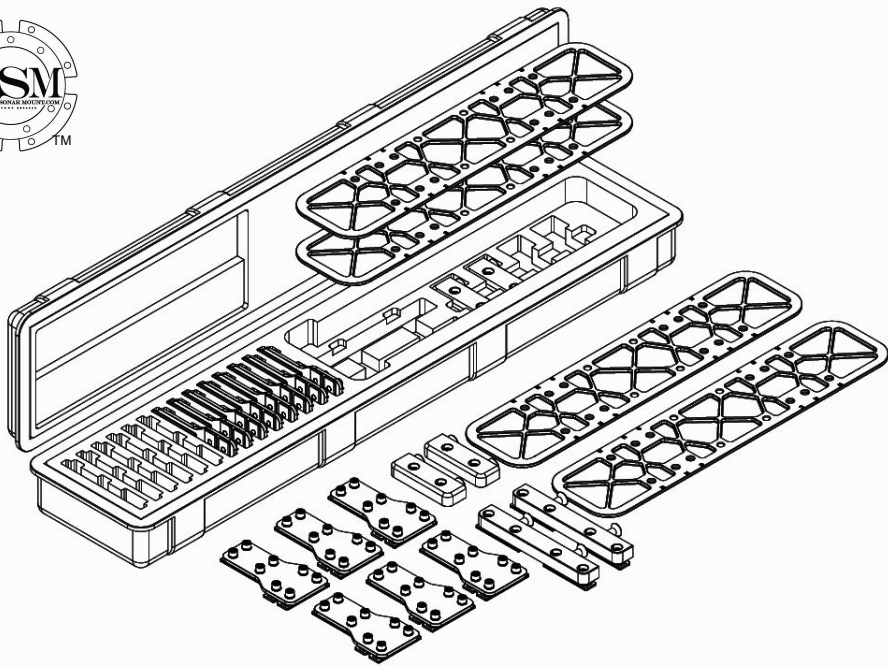
11



CLAMPING PLATE FROM CASE B - Take Single-Track Clamping Plate from other case.

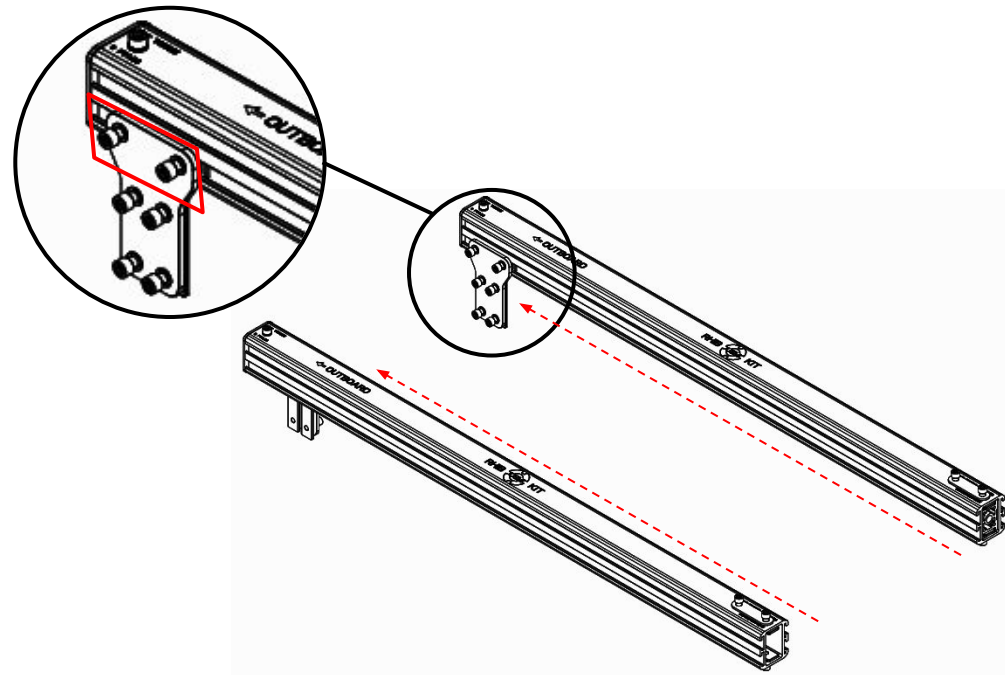
12





SPREADER PLATE CASE - Remove pictured parts from Spreader Plate Case.

13

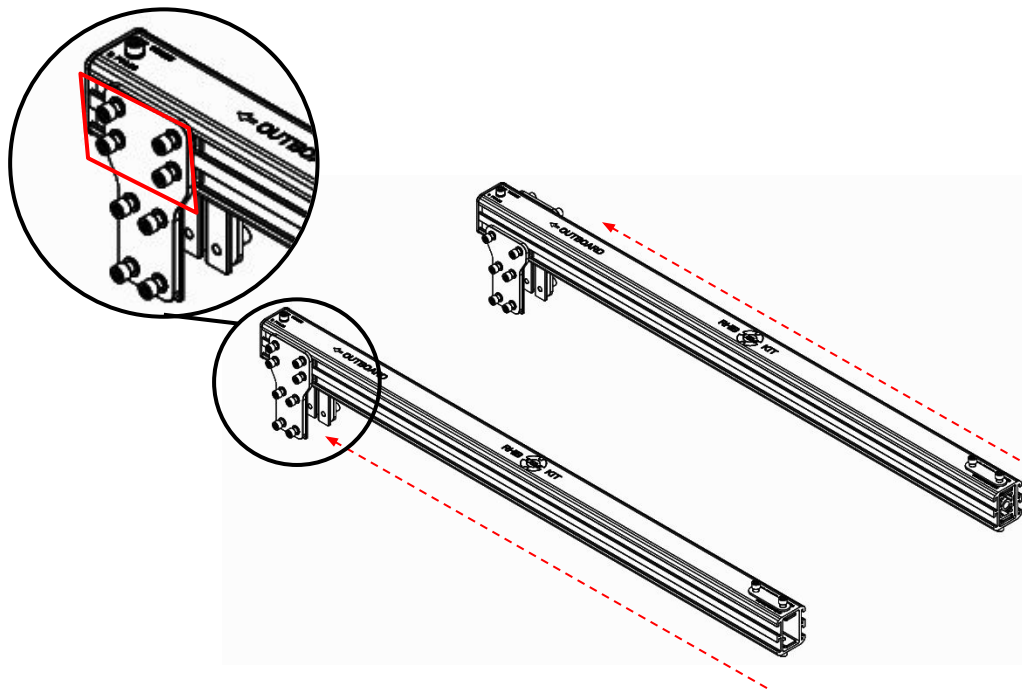


14

INSTALL SINGLE TRACK CLAMPING PLATES - Slide Clamping Plates into lower track, inside of Cross Bars.

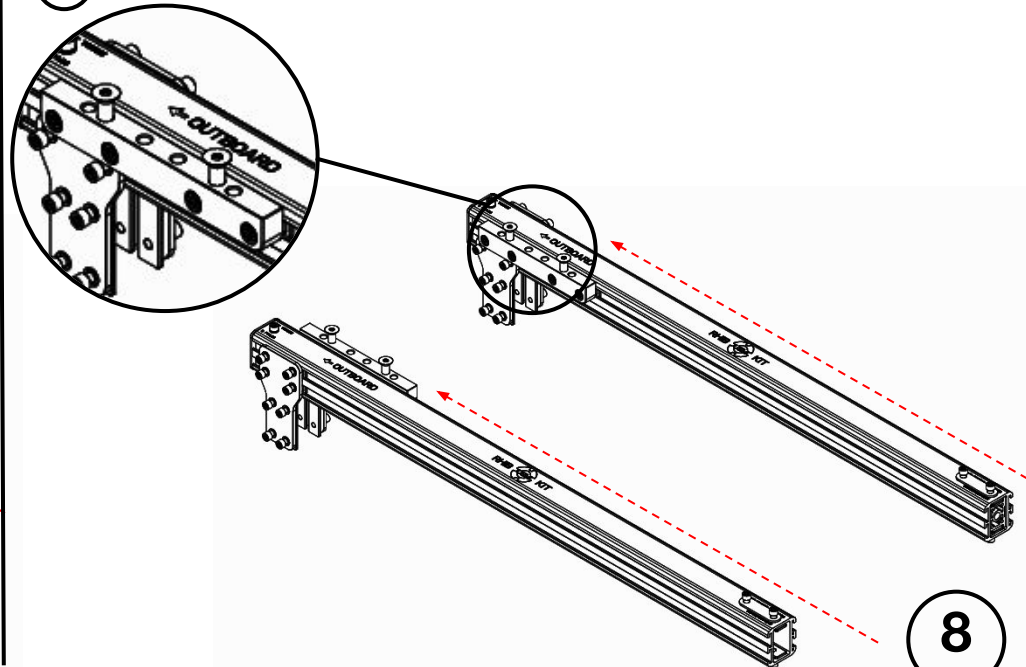
INSTALL DOUBLE TRACK CLAMPING PLATES - Slide Clamping Plates into both tracks, outside of Cross Bars.

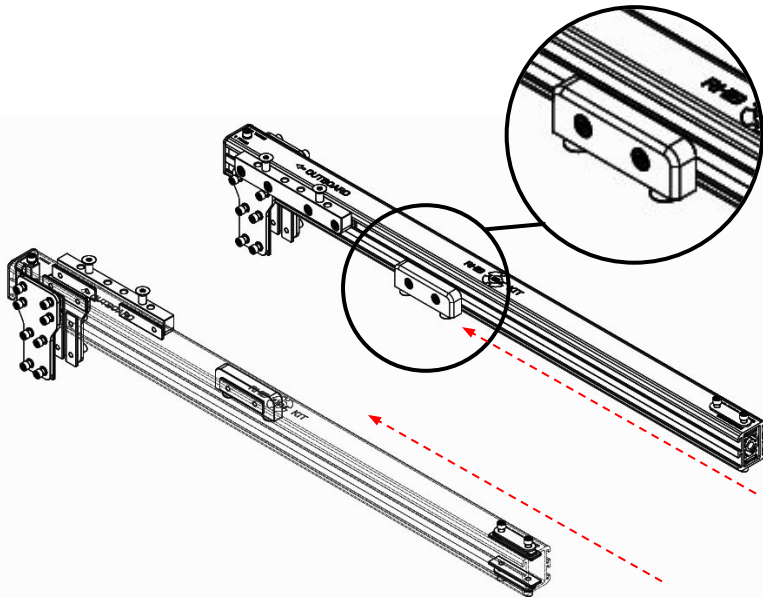
15



16

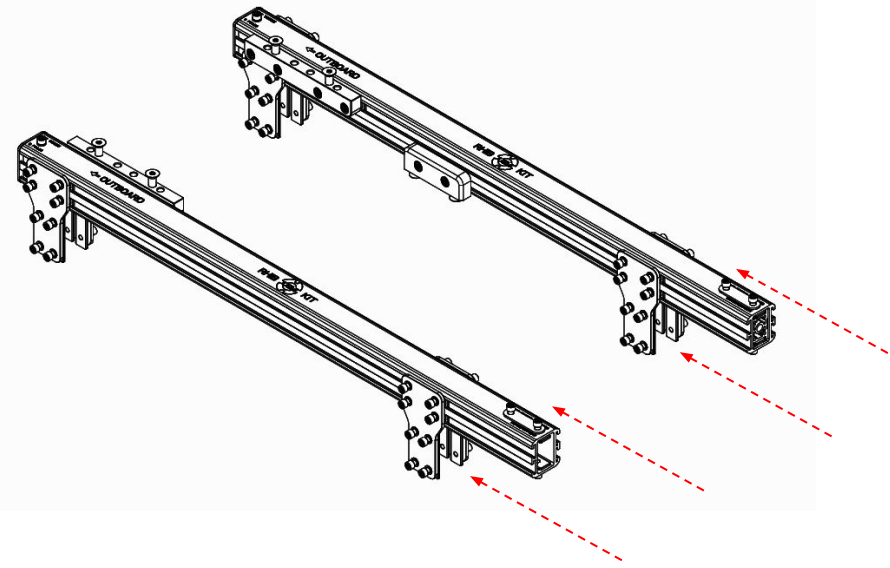
INSTALL TOP TRACK MOUNT - Slide Top Track Mounts into upper track, inside of Cross Bars.





INSTALL SPREADER MOUNTS - Slide Spreader Mounts into lower track, inside of cross bars.

17



INSTALL FOUR CLAMPING PLATES - Slide 4 Double Track Clamping Plates into both sides of Cross Bars.

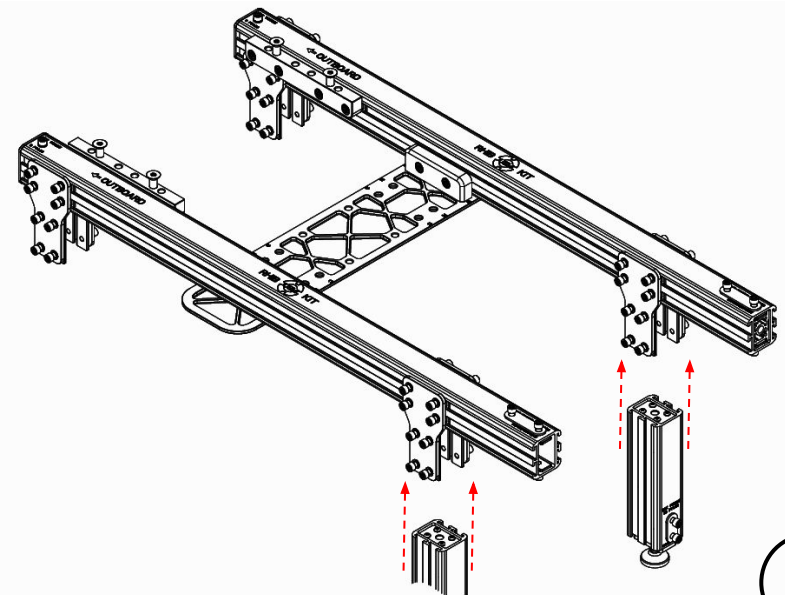
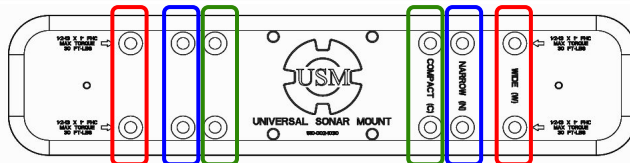
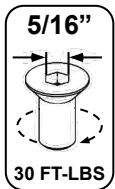
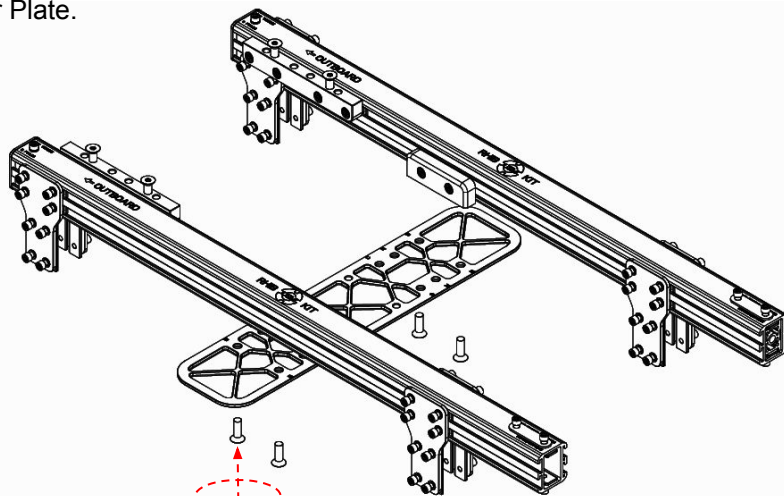
18

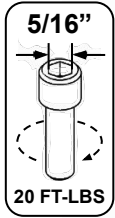
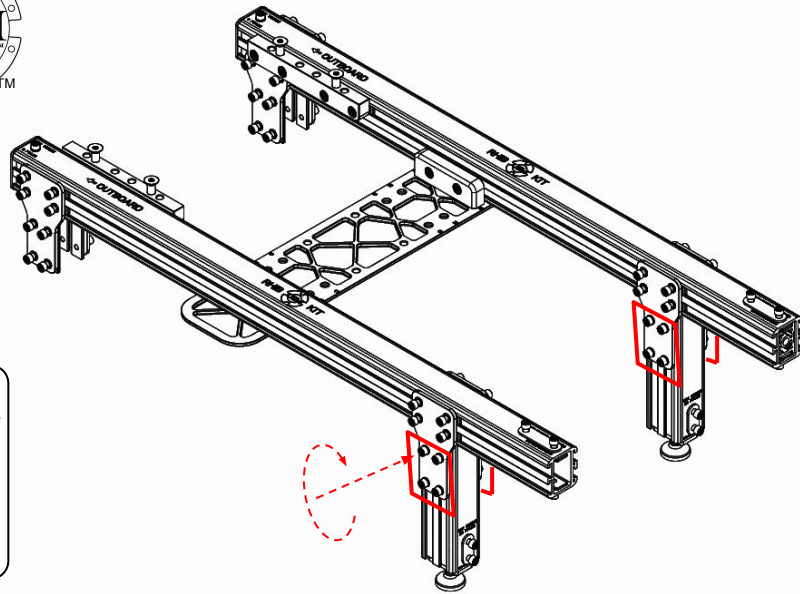
CHOOSE WIDTH - Choose one of 3 width settings, Wide(Hightower), Narrow(Hightower) or Compact(Compact Mount), (These are noted on page 3.) then install Inboard Spreader Plate.

19

INSTALL ADJUSTABLE LEGS - Slide the Adjustable Legs into the two sets of Clamping Plates.

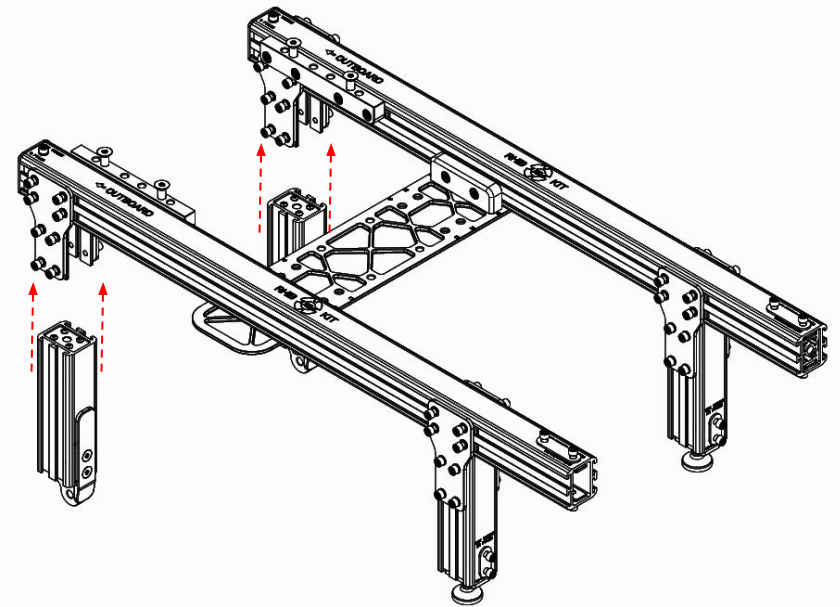
20





SECURE LEGS - Tighten lower eight screws on each leg assembly.

21

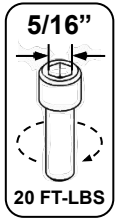
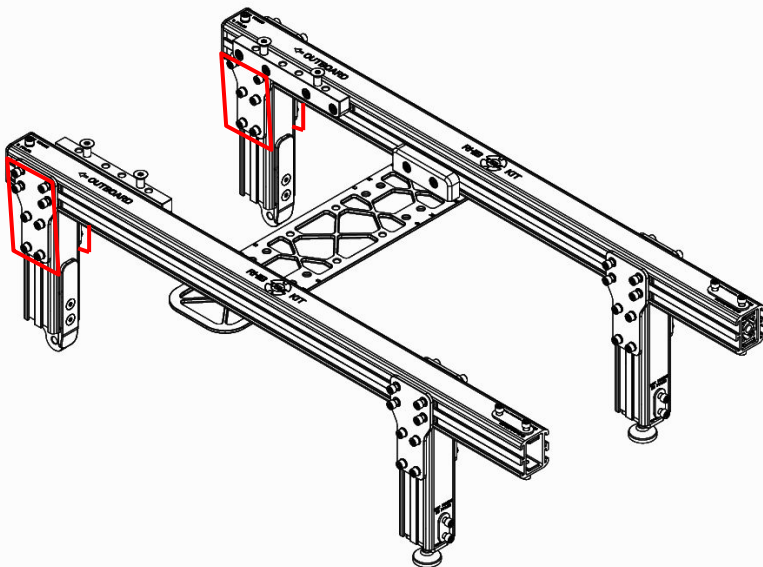


INSTALL DOWN RIGGERS - Slide the Down Riggers into the two sets of Clamping Plates.

22

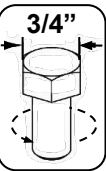
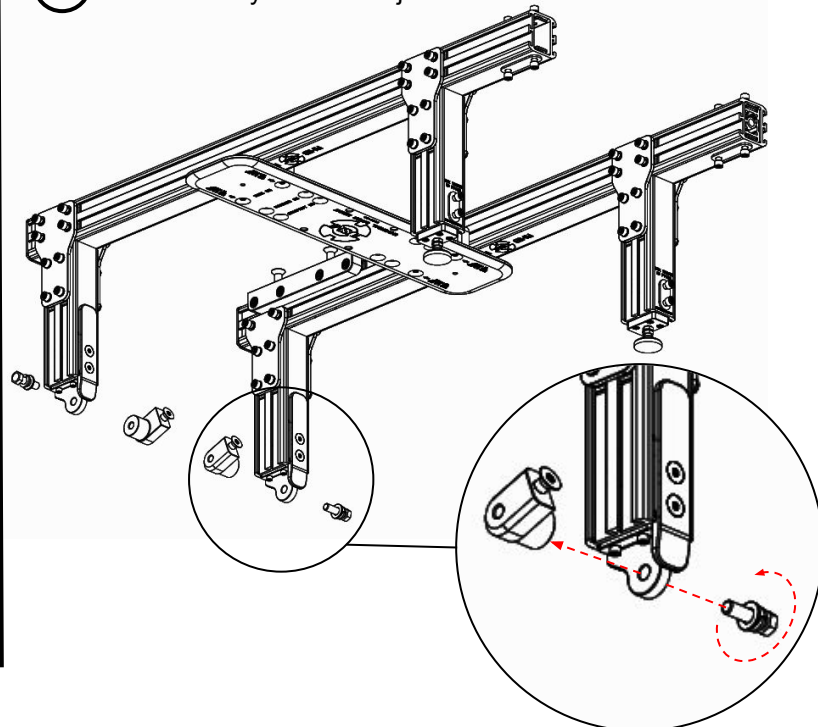
SECURE DOWN RIGGERS - Tighten upper and lower 28 screws on each Down Rigger assembly.

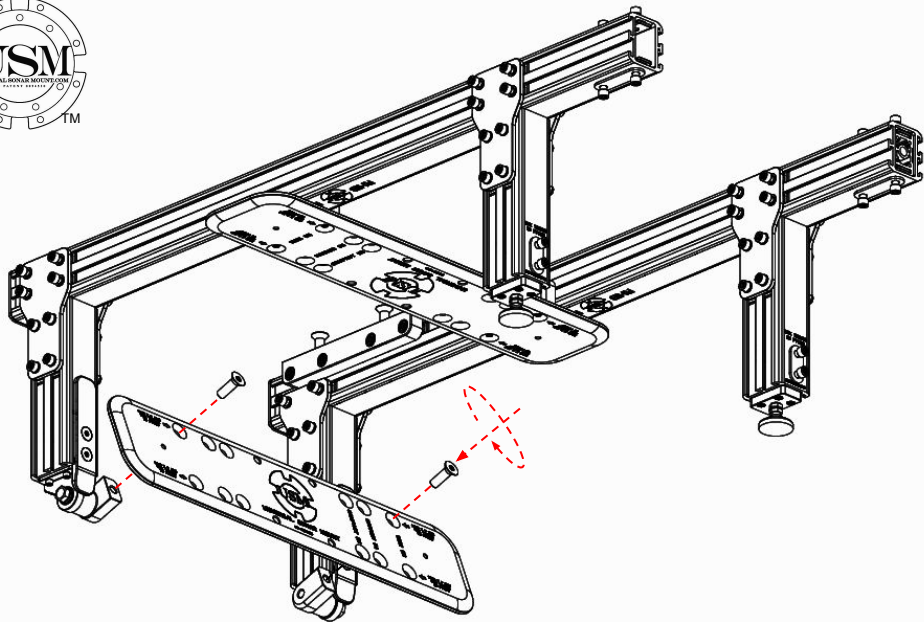
23



INSTALL PIVOT MOUNTS - Fasten with provided hardware, loosely to allow adjustment.

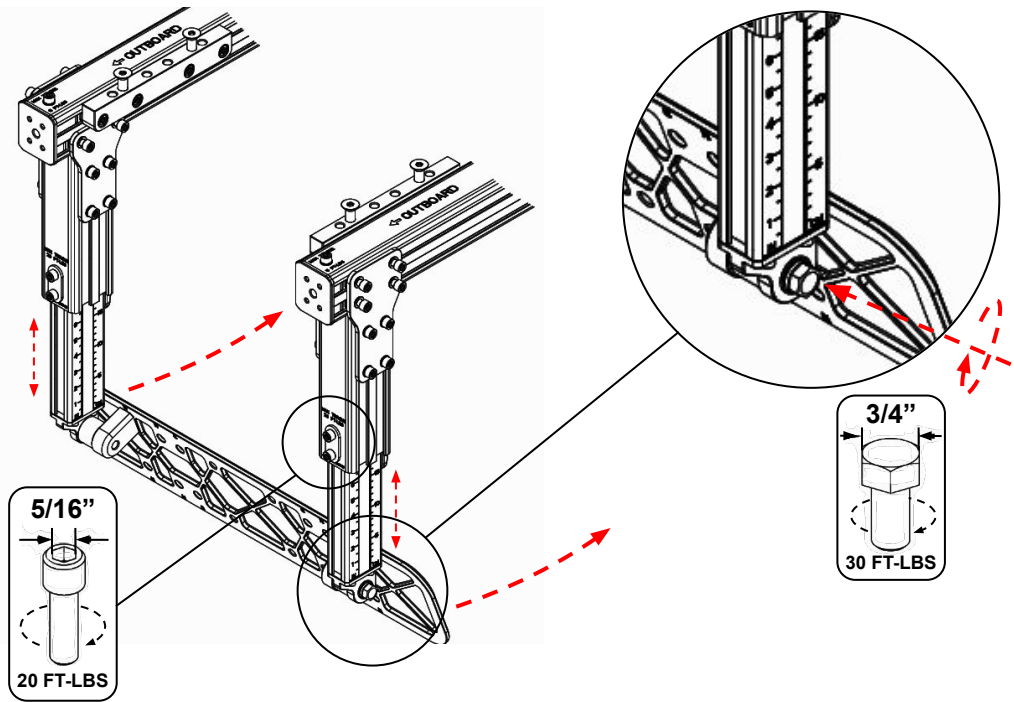
24





INSTALL OUTBOARD SPREADER PLATE - Match width setting from Inboard Spreader Plate installation.

25



26

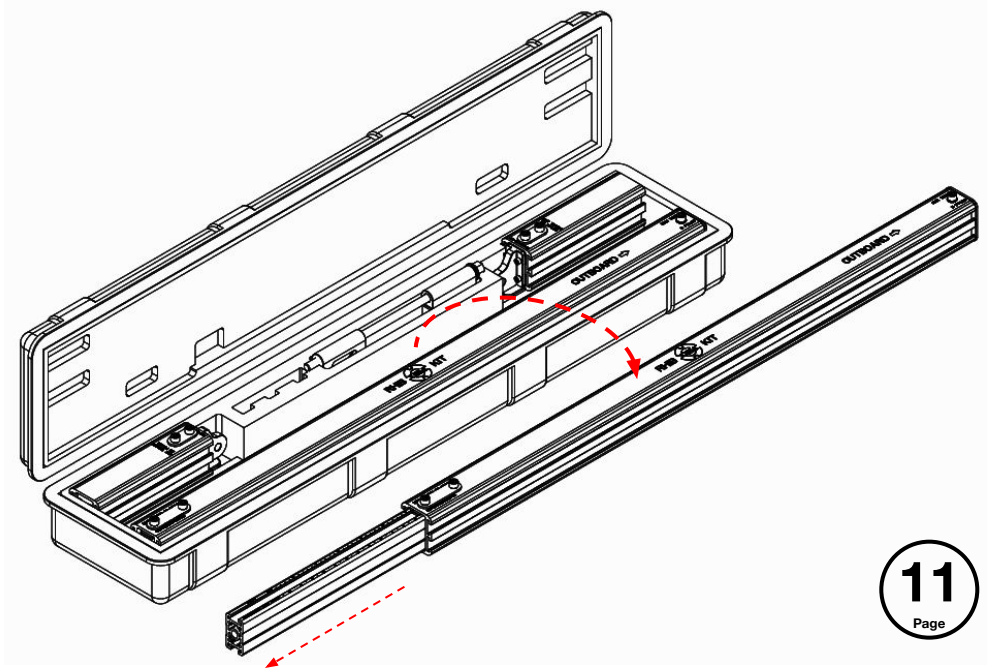
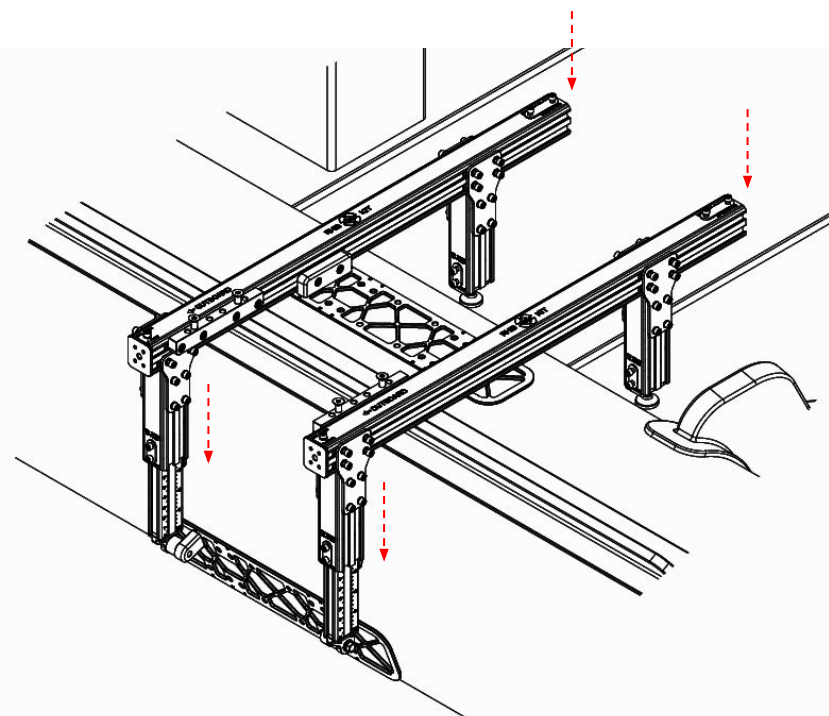
ADJUST AND SET - Set Out Rigger height, angle Spreader Plate up. Tighten set screws and Pivots.

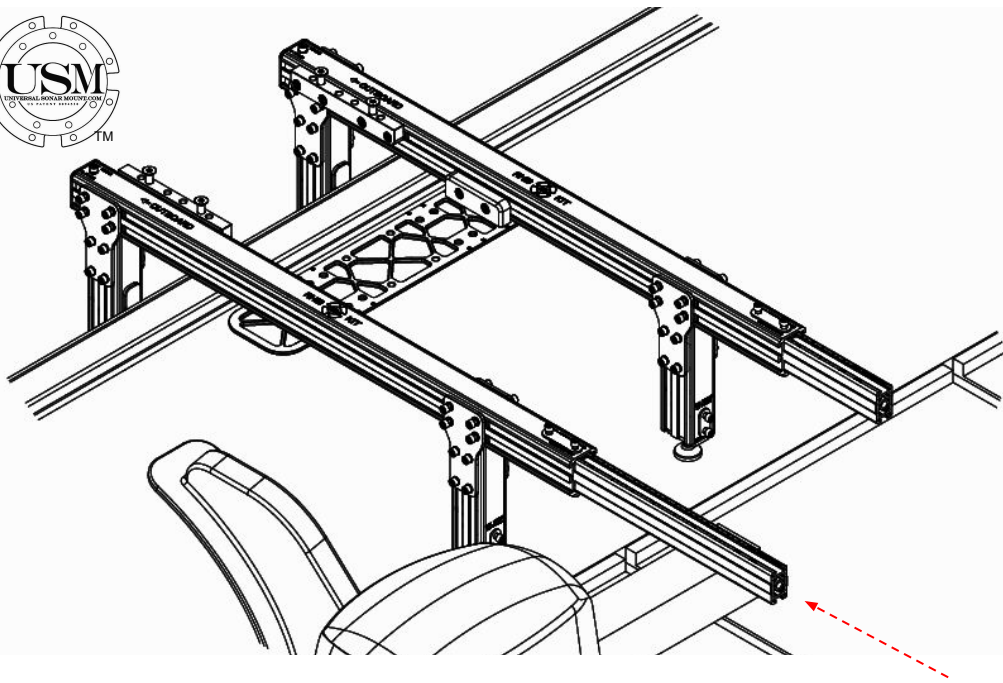
CHOOSE SONAR LOCATION - Place the assembly on the side of the vessel that the Sonar will mount to.

27

REMOVE INNER EXTRUSION - Remove Inner Extrusion from Case B.

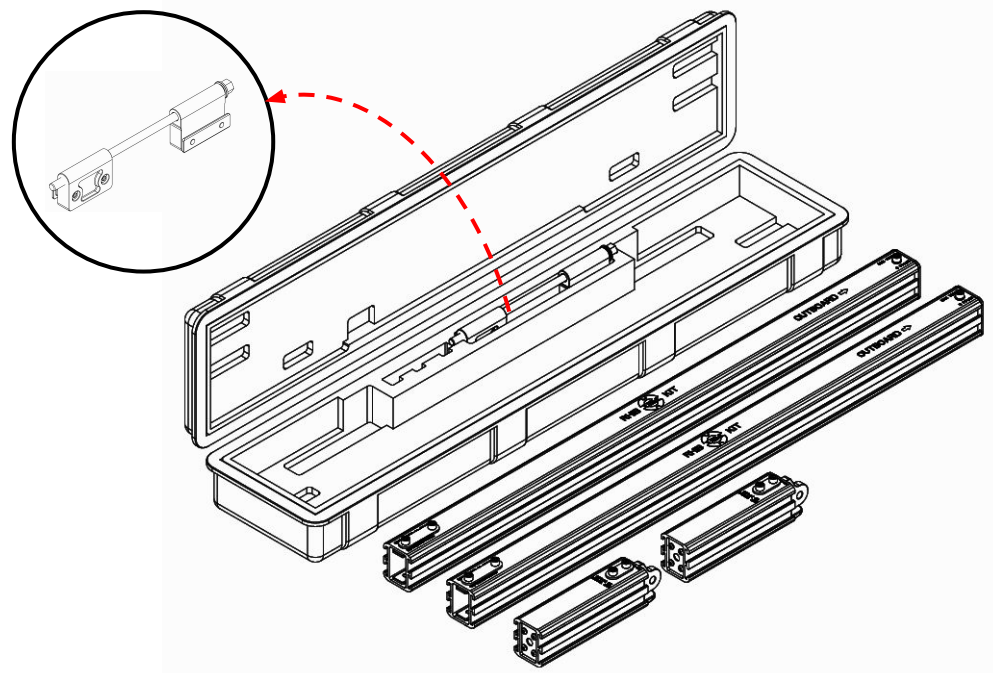
28





INSTALL INNER EXTRUSION - Insert Inner Extrusion into the vacant Outer Extrusion on the assembled side of the RHIB KIT.

29

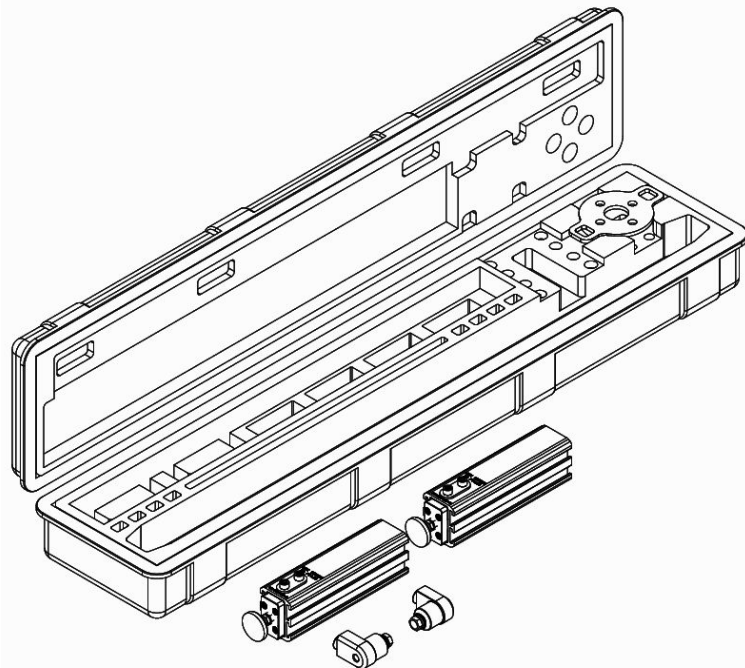


CROSS BAR ASSEMBLY, NON-MOUNT SIDE - Remove Cross Bars and Down Riggers. Set aside Tensioner.

30

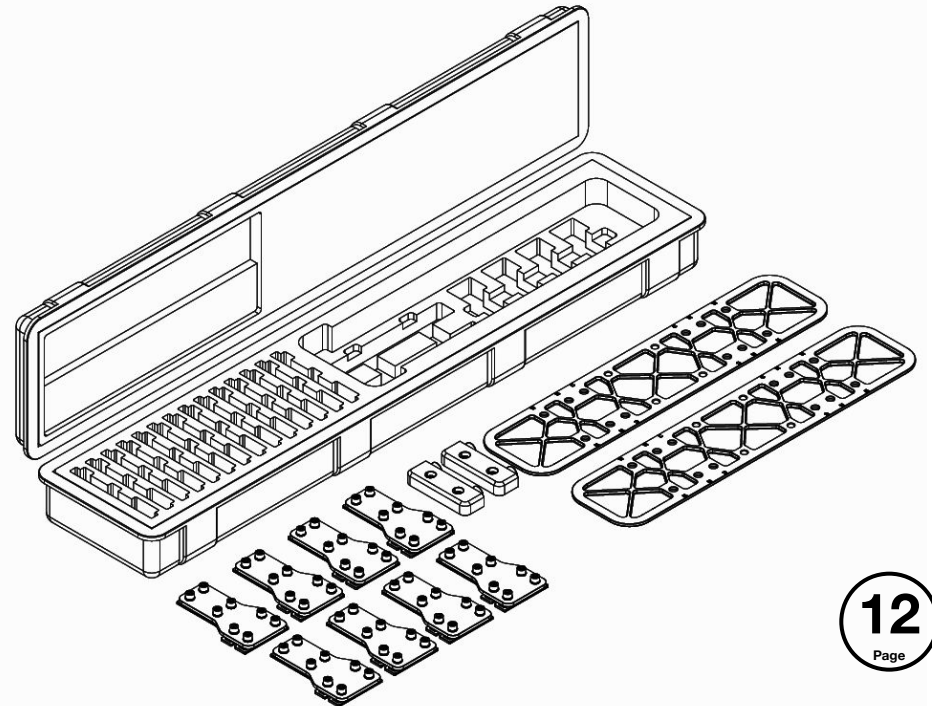
CROSS BAR ASSEMBLY, NON-MOUNT SIDE - Prepare parts for Cross Bar assembly, B. Remove remaining Adjustable Legs and Pivot Mounts from GPS Case.

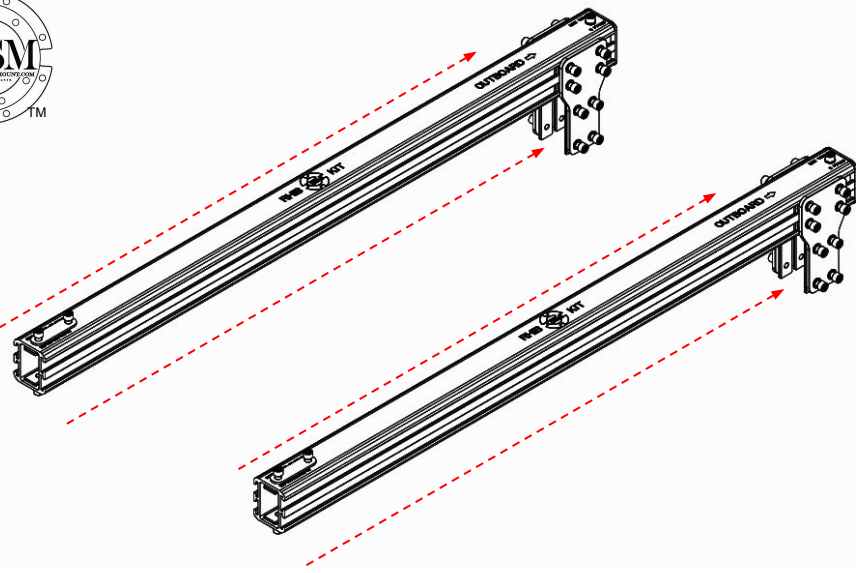
31



SPREADER PLATE CASE - Remove pictured parts from Spreader Plate Case. This case should be empty at this point.

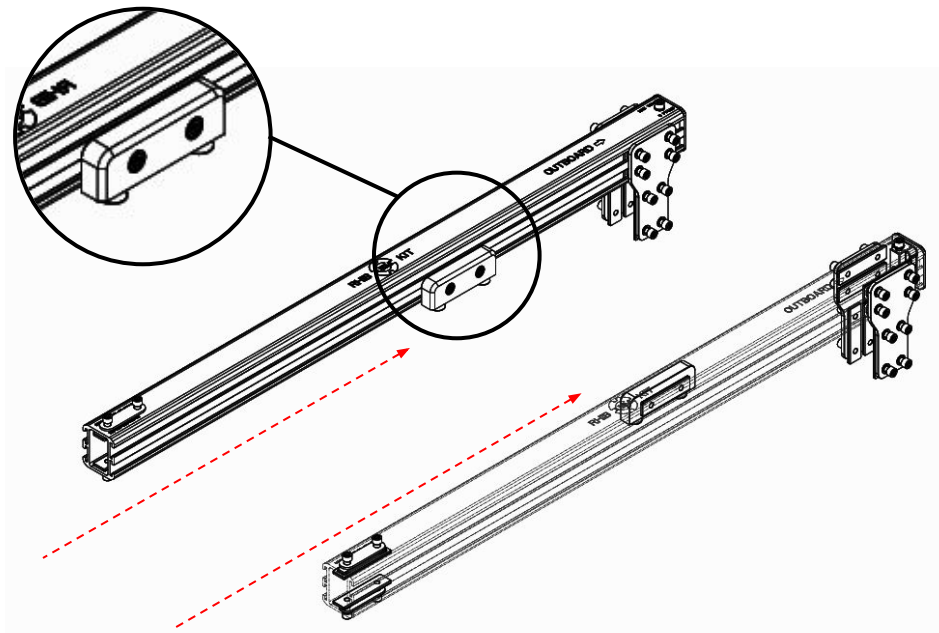
32





INSTALL DOUBLE TRACK CLAMPING PLATES - Slide Clamping Plates into both tracks, inside and outside of Cross Bars.

33

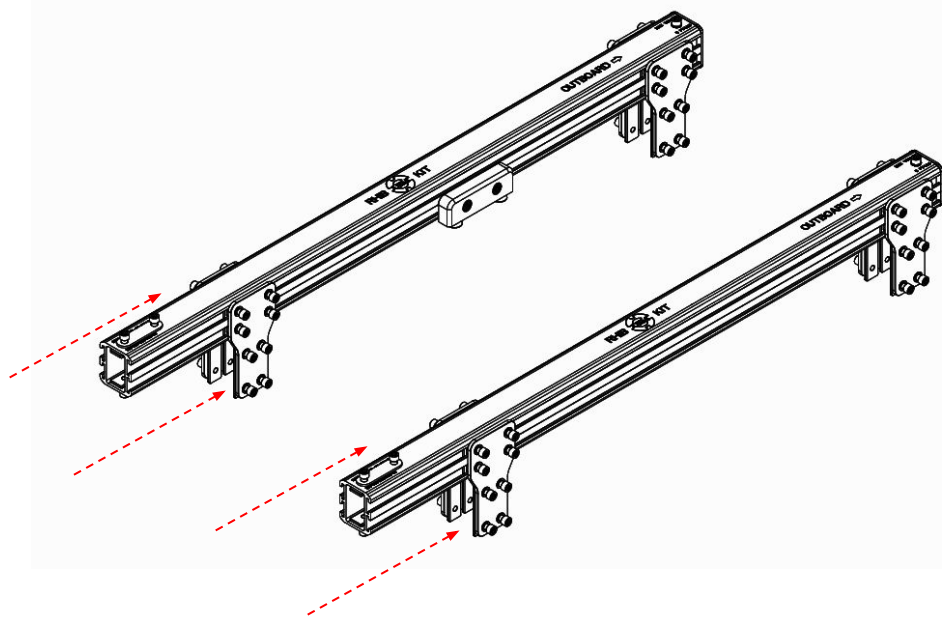


INSTALL SPREADER MOUNTS - Slide Spreader Mounts into lower track, inside of cross bars.

34

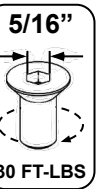
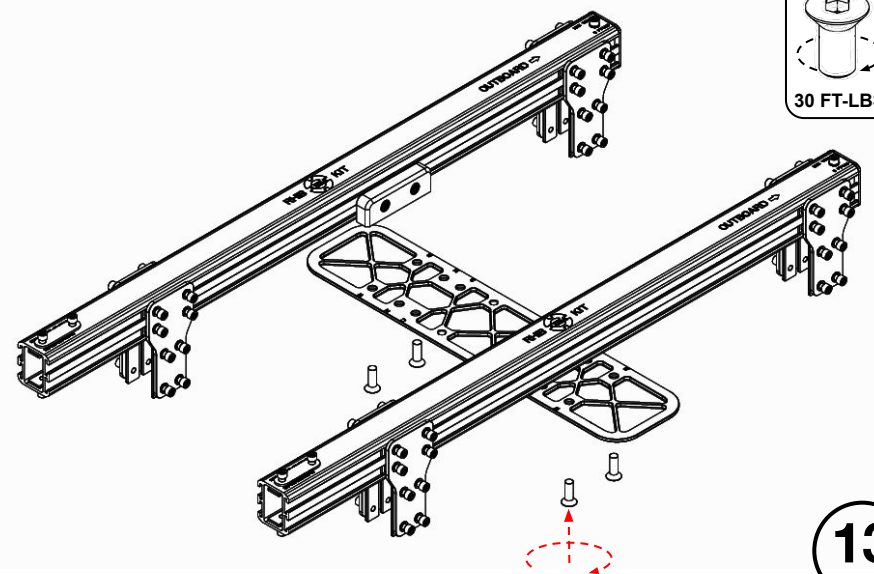
INSTALL FOUR CLAMPING PLATES - Slide four Double Track Clamping Plates into both sides of Cross Bars.

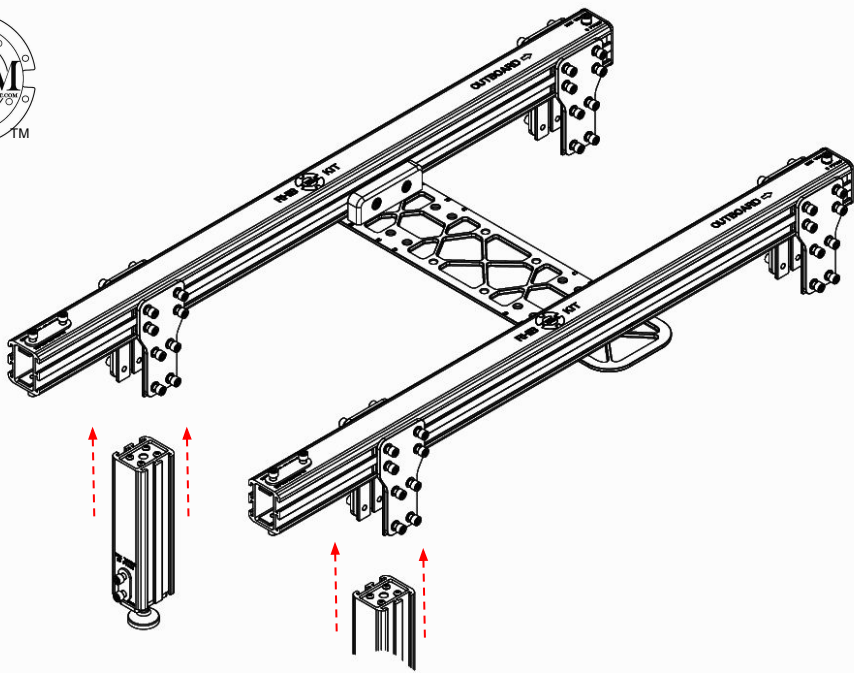
35



INSTALL SPREADER - Match width setting from previous Spreader Plate installations.

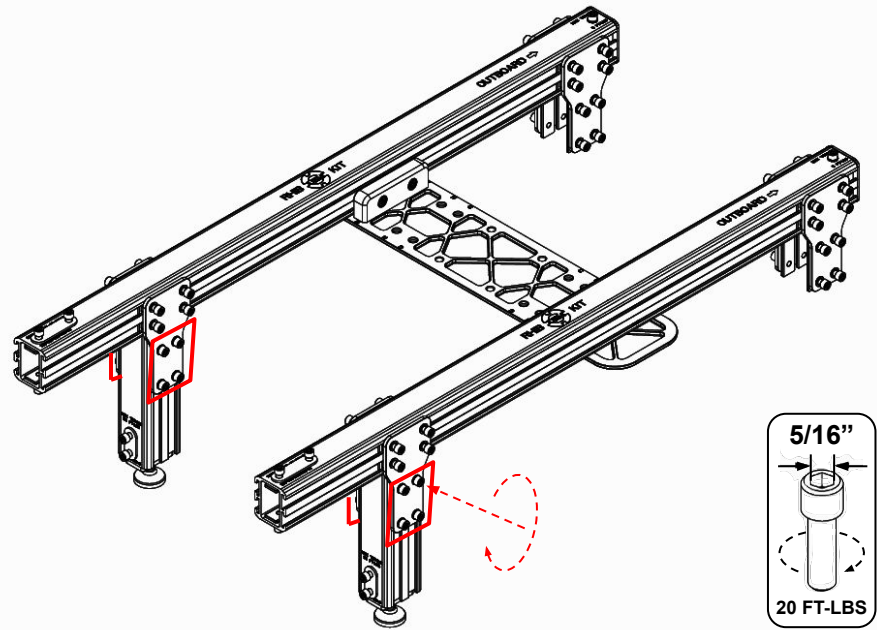
36





INSTALL ADJUSTABLE LEGS - Slide the Adjustable Legs into the two sets of Clamping Plates.

37

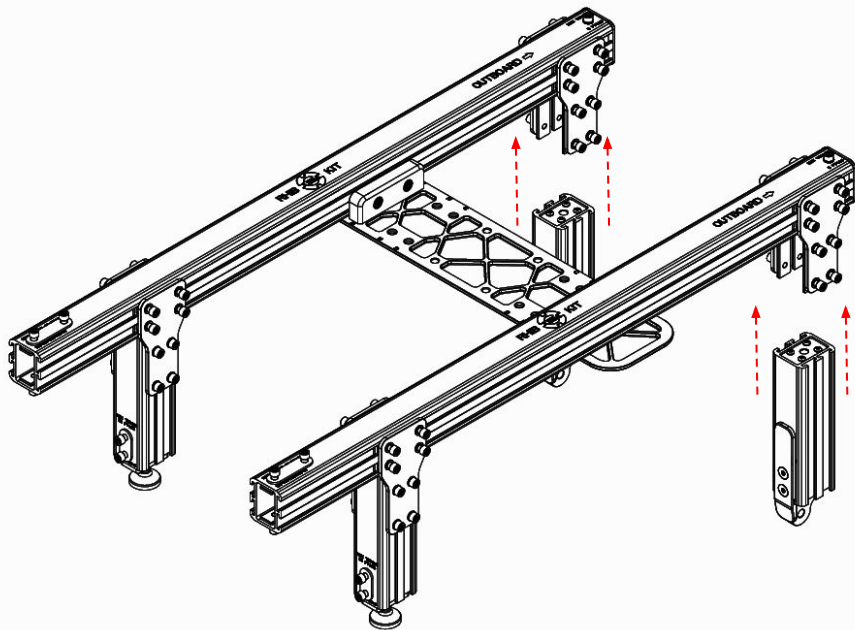


SECURE LEGS - Tighten lower eight screws on each leg assembly.

38

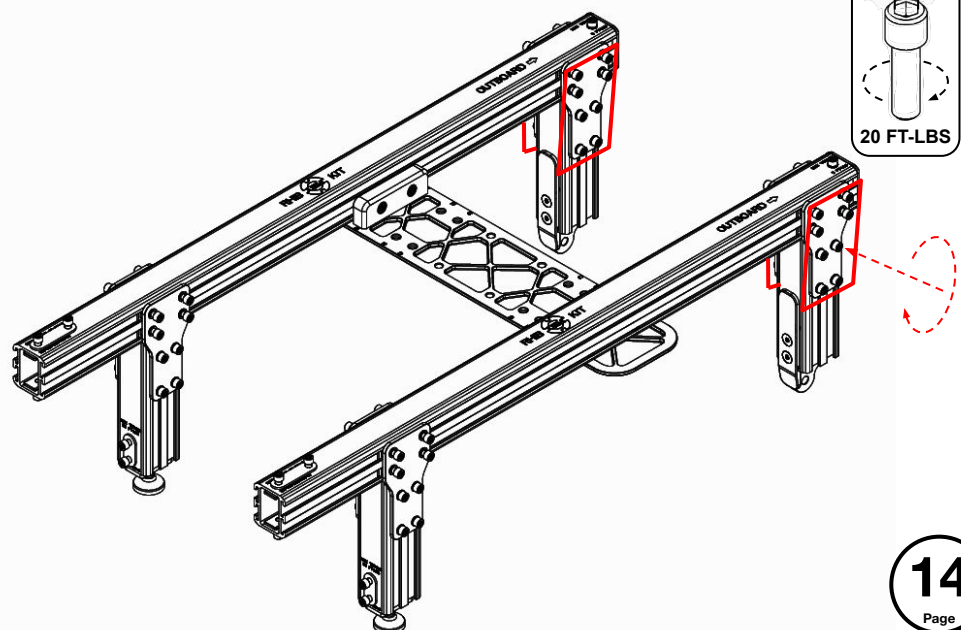
INSTALL DOWN RIGGERS - Slide the Down Riggers into the two sets of Clamping Plates.

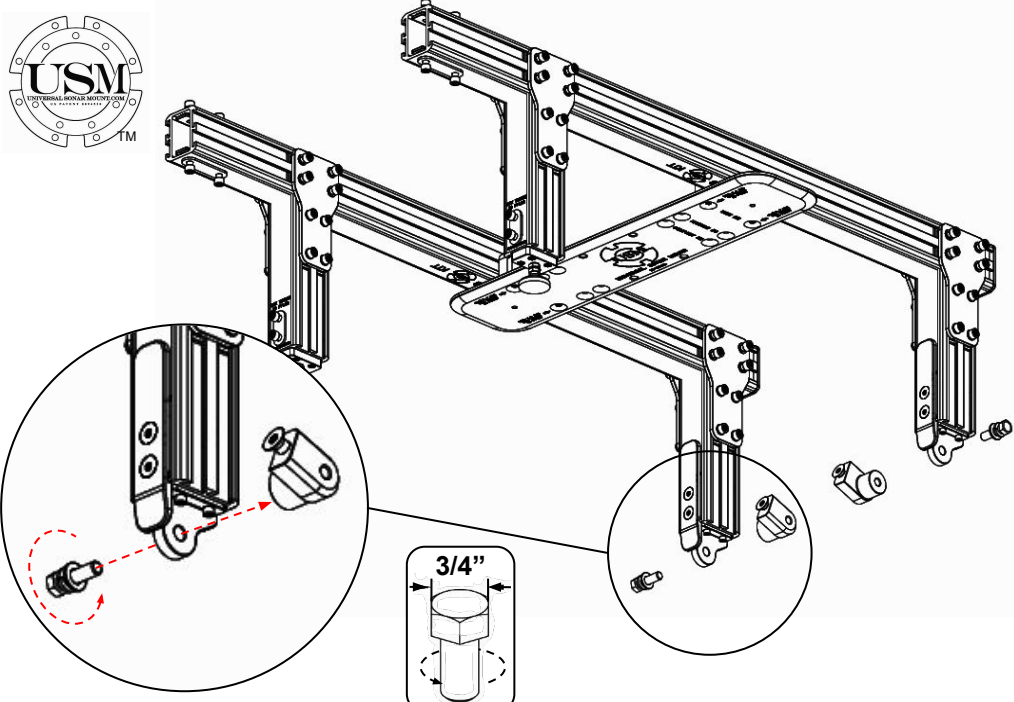
39



SECURE DOWN RIGGERS - Tighten upper and lower 32 screws on each Down Rigger assembly.

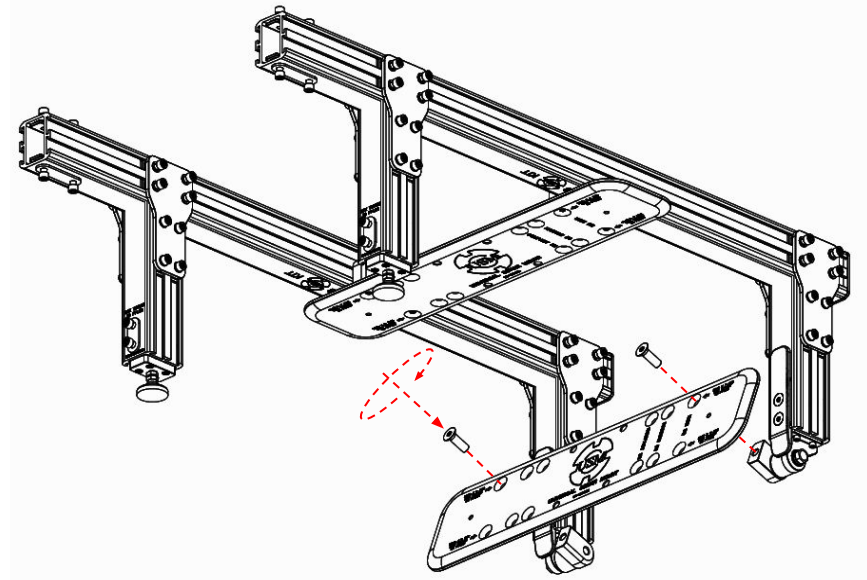
40





INSTALL PIVOT MOUNTS - Fasten with provided hardware, loosely to allow adjustment.

41

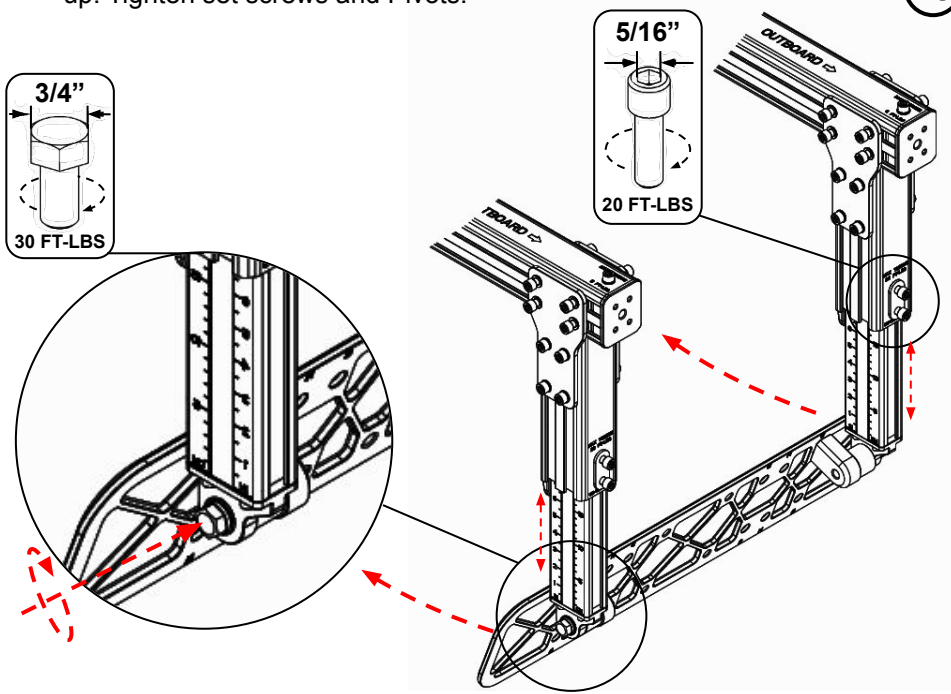


INSTALL OUTBOARD SPREADER PLATE - Match width setting from previous Spreader Plate installations.

42

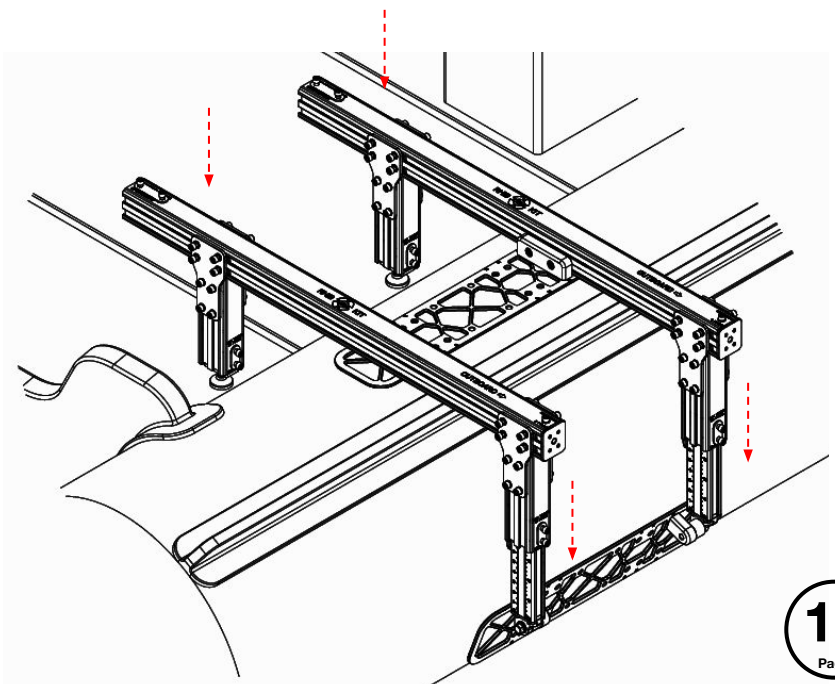
ADJUST AND SET - Set Out Rigger height, angle Spreader Plate up. Tighten set screws and Pivots.

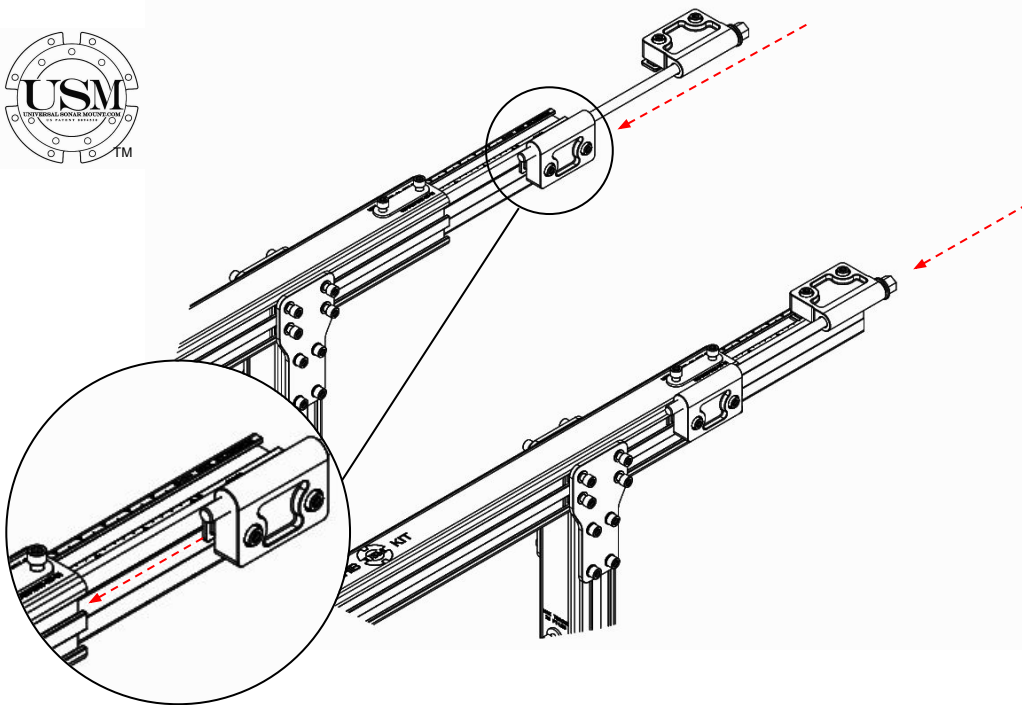
43



PLACE ON PONTOON - Place the assembly on the opposite side of the Sonar-Mounting Side.

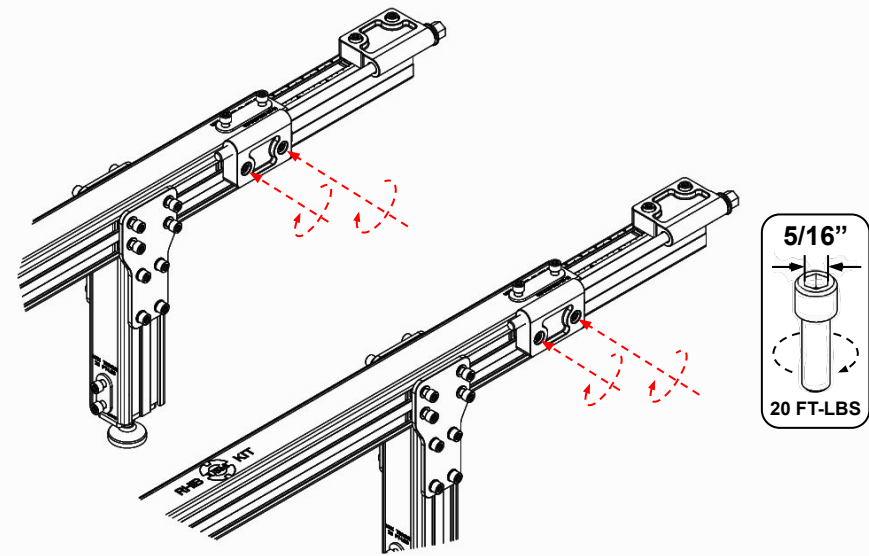
44





INSTALL TENSIONERS - Slide the Tensioner Assemblies onto the Upper Track of the Outer Extrusion.

45

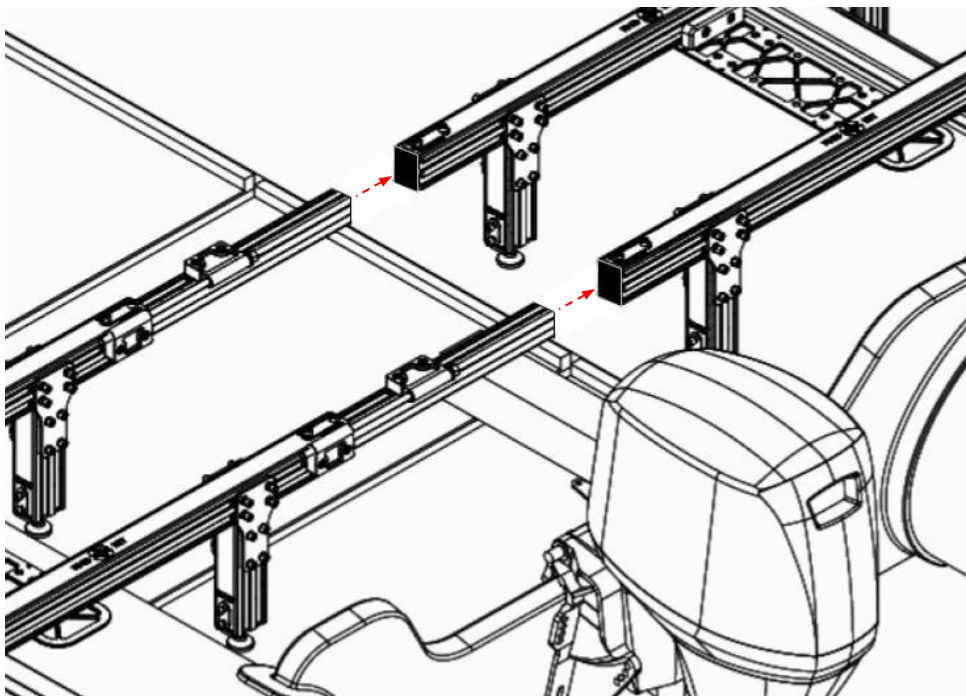


TIGHTEN TENSIONER BLOCK BOLTS - Tighten the four bolts on the Tensioner Assembly attached to the Outer Extrusion.

46

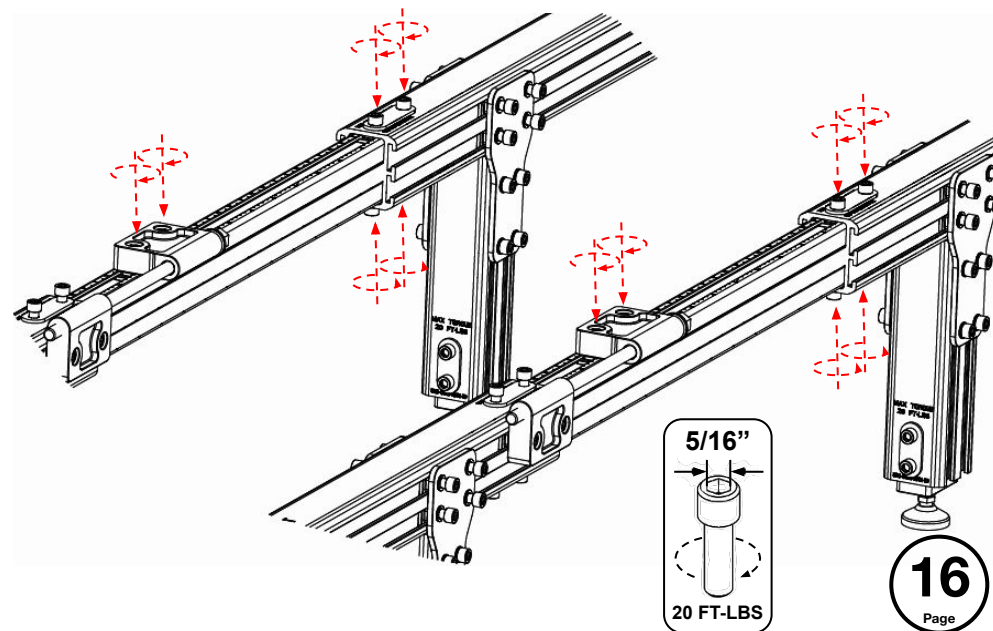
EXTEND INNER EXTRUSIONS- Extend Inner Extrusions and insert them into opposite-side Outer Extrusions.

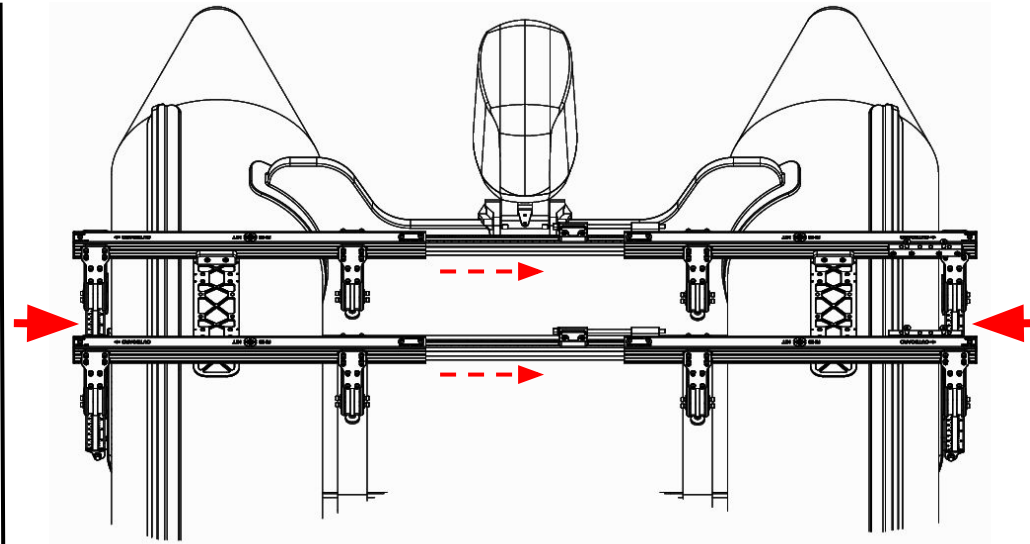
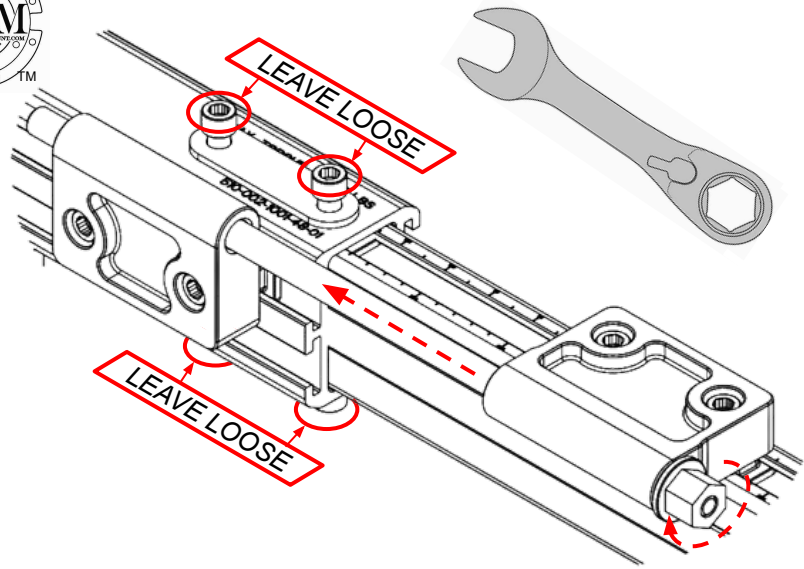
47



48

TIGHTEN HARDWARE - Tighten the four bolts on the Tensioner Assembly attached to the Inner Extrusion. Also tighten the 8 bolts that secure the Non-Mount Side





TENSION SYSTEM - Using a 3/4" wrench evenly tighten each side of the RHIB Kit.

49

CLAMP RHIB KIT TO VESSEL - Using the Tension System, clamp the RHIB Kit to the Vessel by evenly tightening the Tensioners on each side.

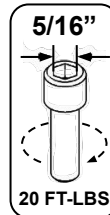
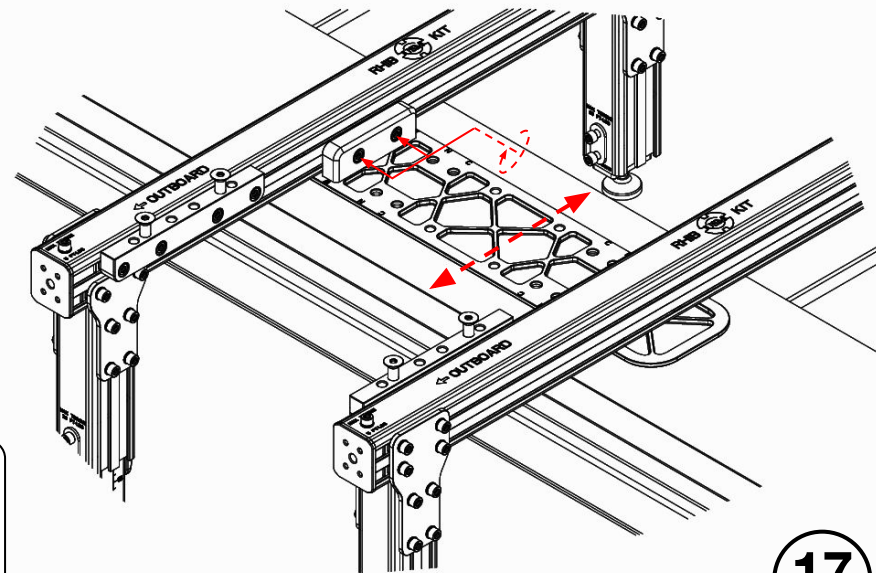
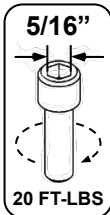
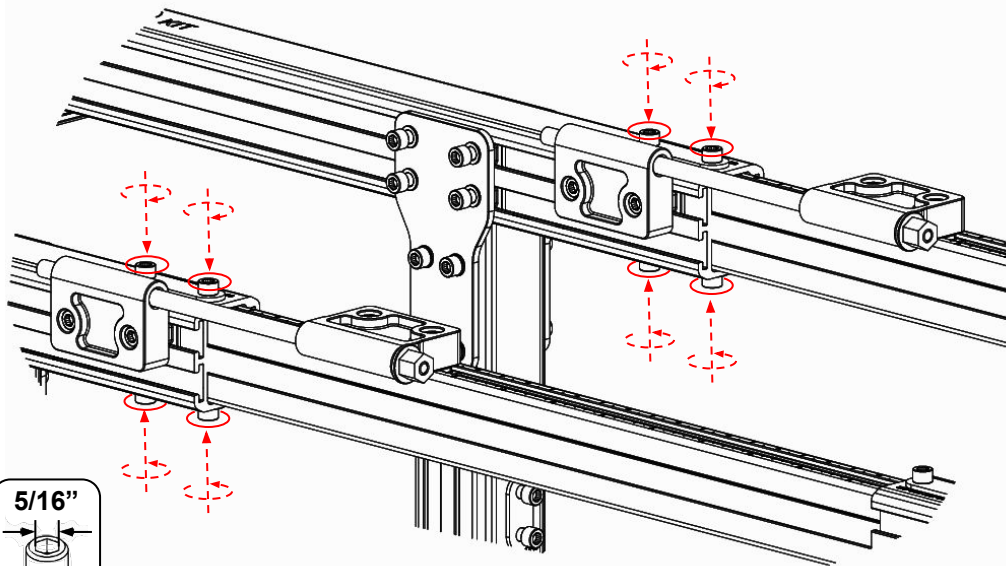
50

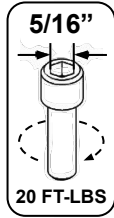
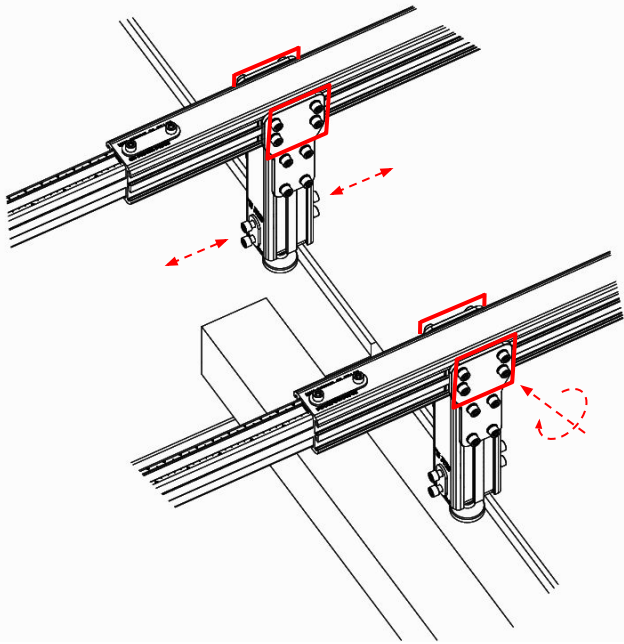
LOCK RHIB KIT POSITION - Tighten the remaining eight Extrusion Bolts to lock the RHIB Kit onto the vessel.

51

POSITION SPREADER PLATE & TIGHTEN - Position the Spreader Plates on top-middle of the pontoons. Tighten four bolts on each side.

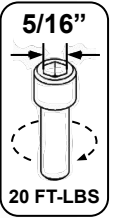
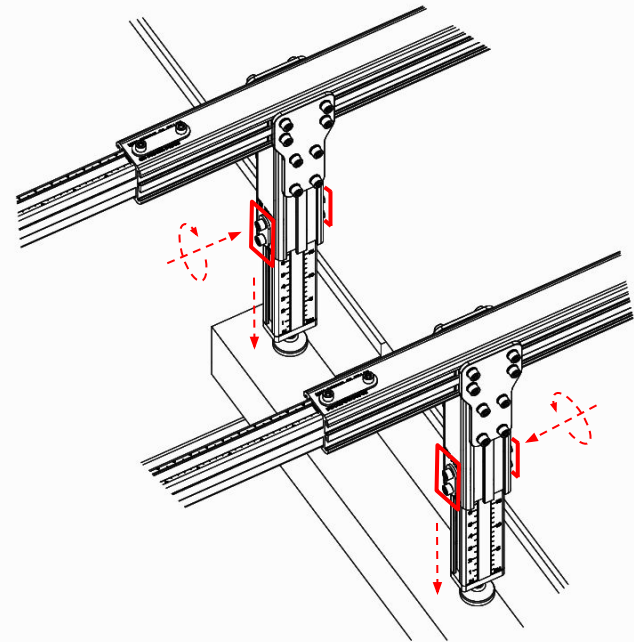
52





POSITION & TIGHTEN FEET - Slide Adjustable Legs so that they may extend to a clear flat surface on the deck. Tighten 32 bolts.

53

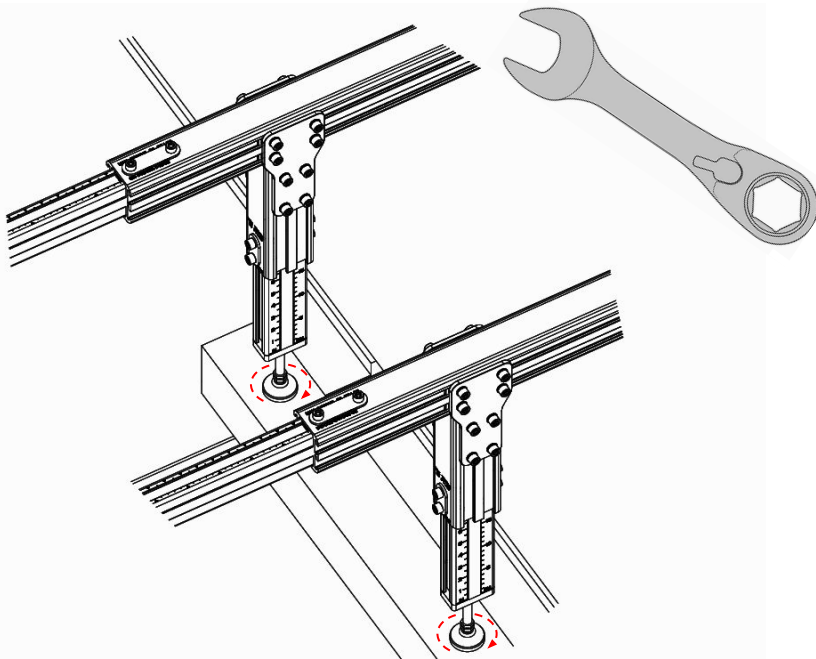


SET FOOT HEIGHT & TIGHTEN - Extend to the deck and tighten sixteen bolts. If necessary, place blocking under feet.

54

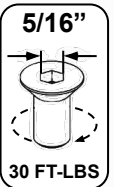
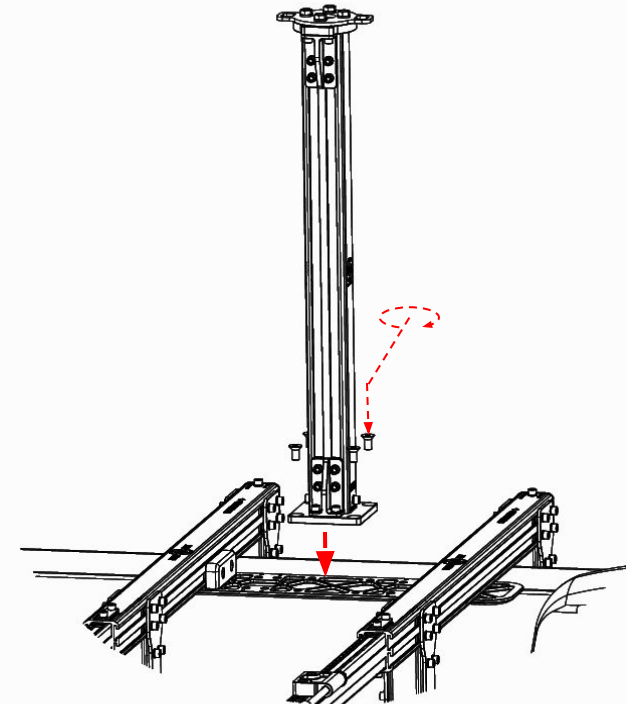
EXTEND LEVELING FEET - Adjust and tension Leveling Feet by rotating the foot using a 3/4" wrench.

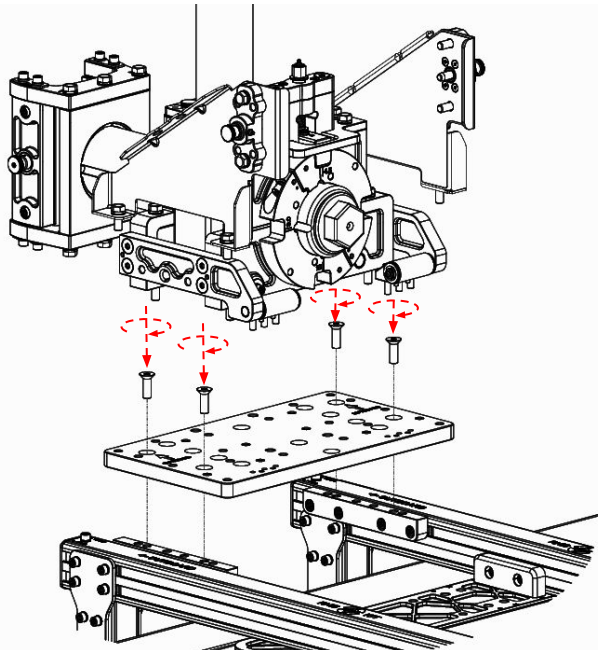
55



INSTALL GPS MAST - Install GPS Mast on Non-Mount Side Spreader Plate.

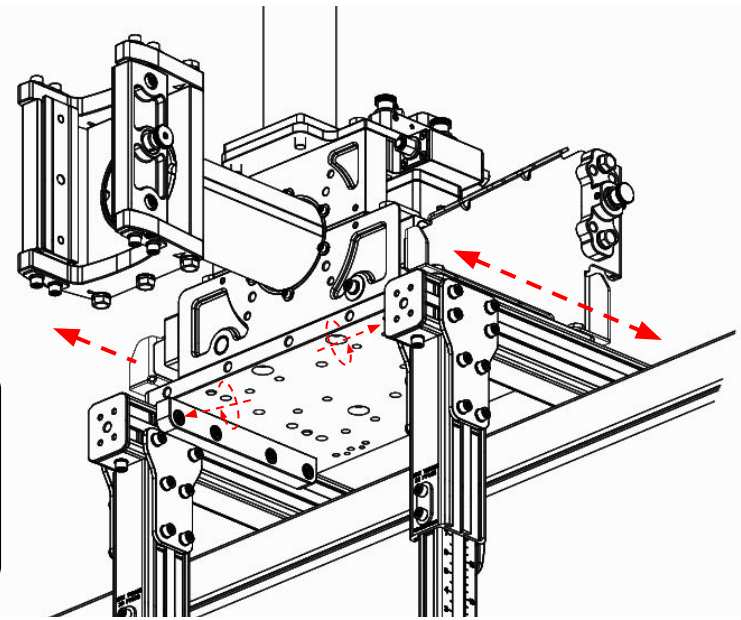
56





INSTALL BASEPLATE - Install USM Baseplate. The USM may need to be removed from Baseplate for this operation.

57

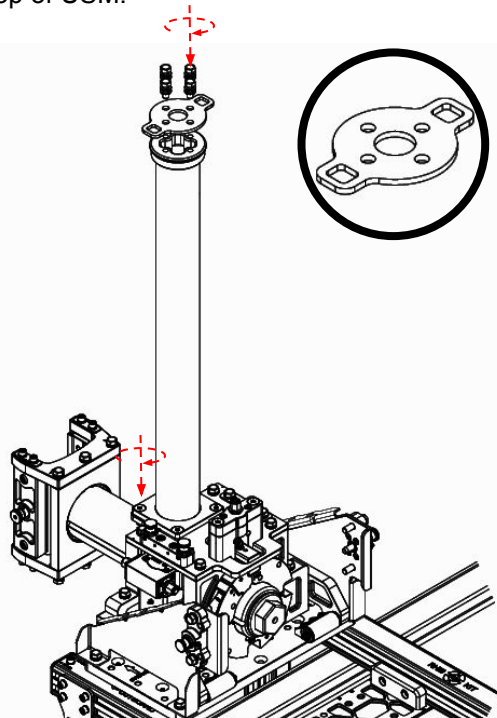


SET MOUNT POSITION - Set USM position and tighten Track Mounts.

58

INSTALL GPS MAST - Install Standard GPS Mast along with Strap Flange on top of USM.

59



INSTALL TIE DOWN STRAPS - Install tie down straps and evenly tension each strap for final installation of the RHIB Kit. The vessel is ready for Survey!

60

