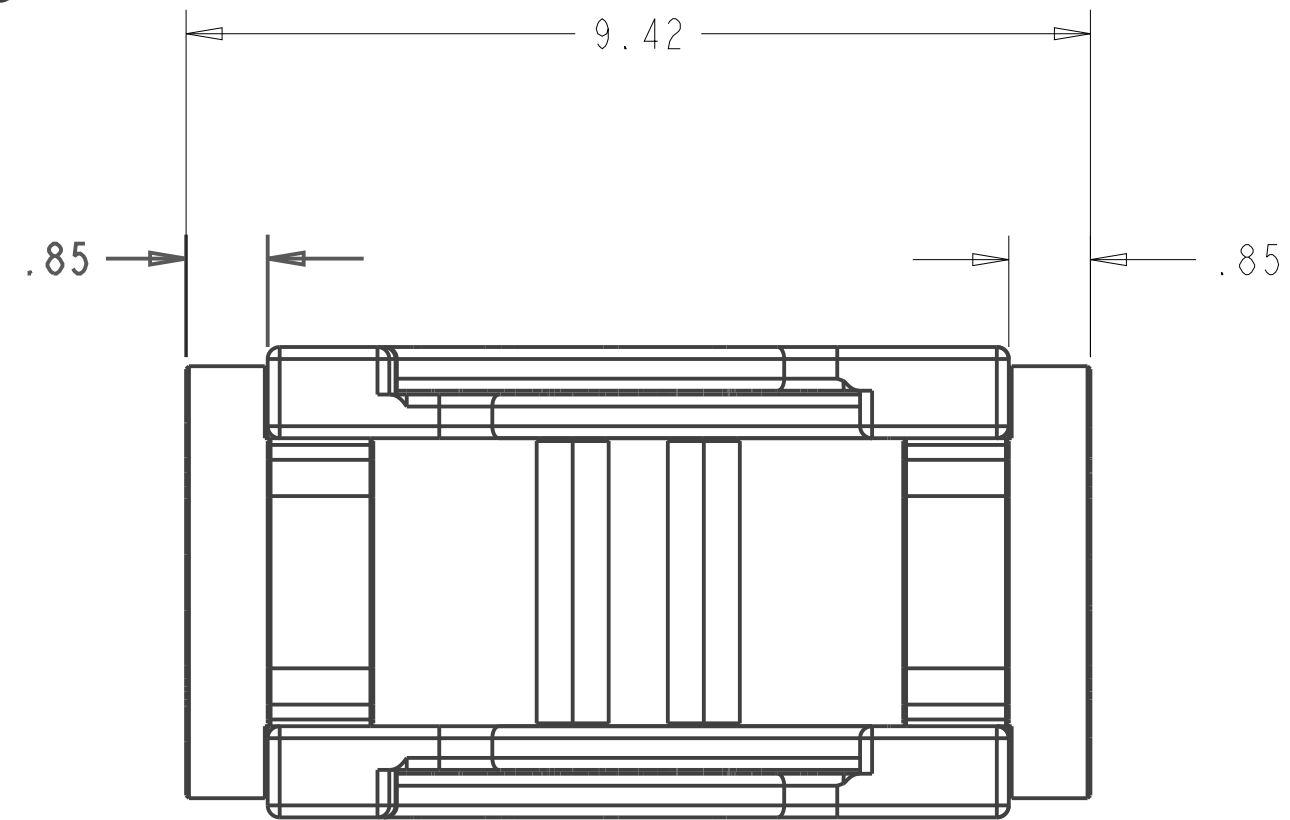
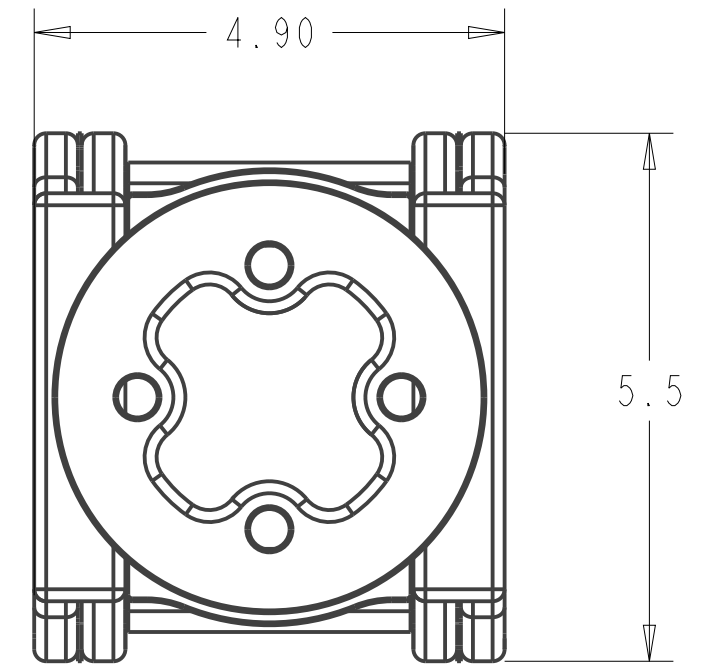
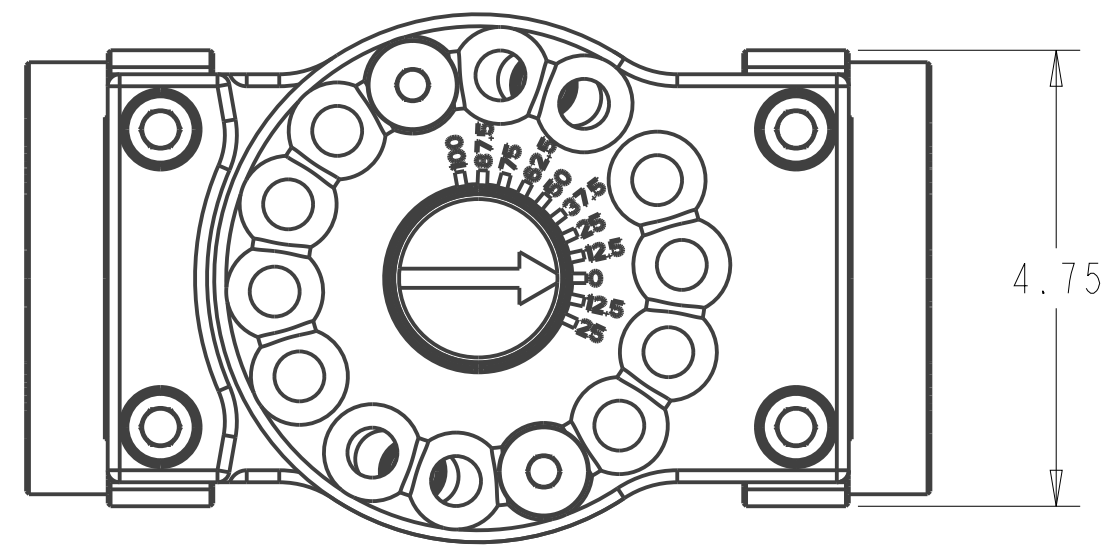
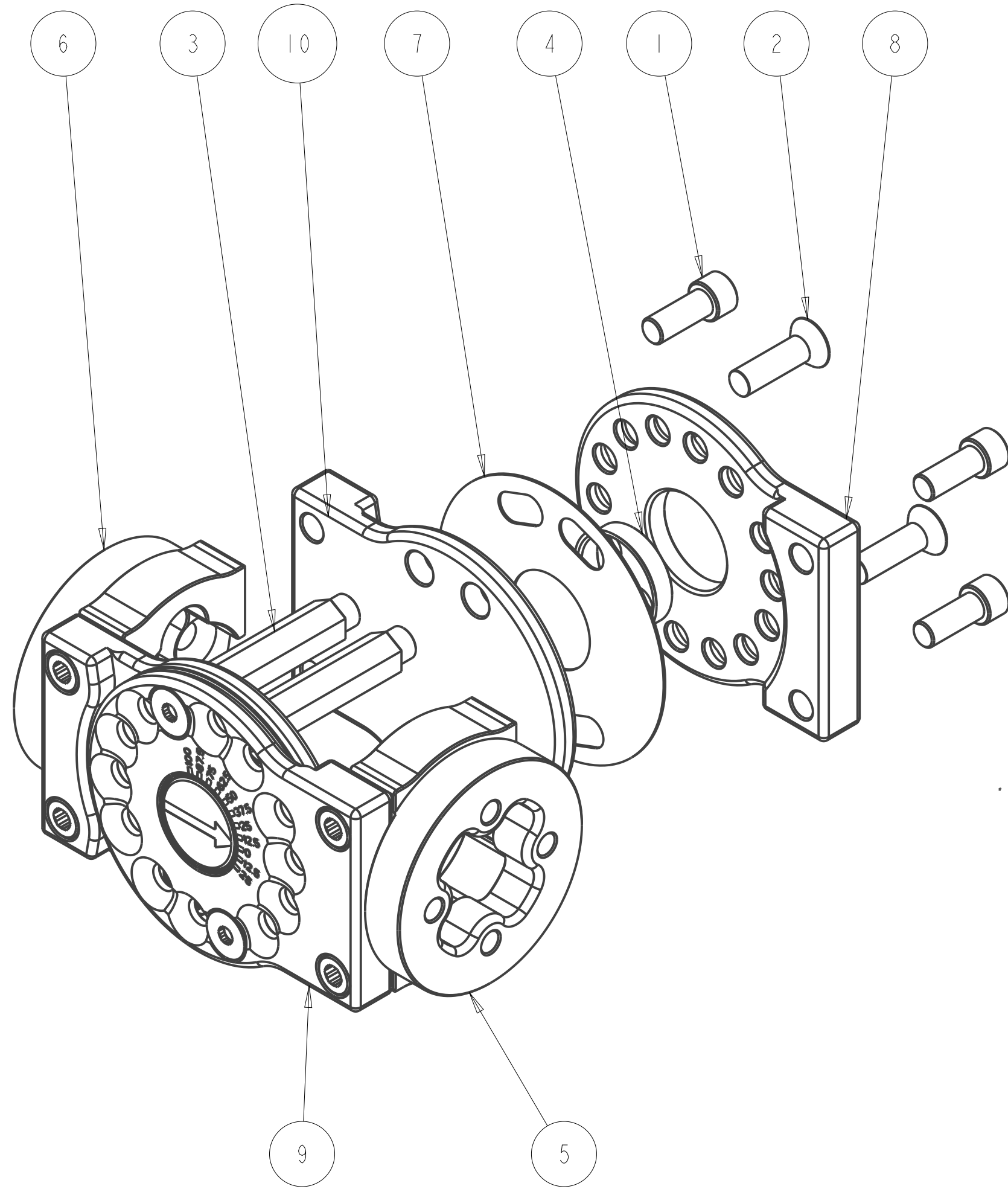


REVISIONS				
ZONE	REV	DESCRIPTION	DATE	APPROVED
--	1	INITIAL RELEASE	02020-JUL-14	--



ITEM NO.	QTY RECD.	PART NO.	DRAWING TITLE OR DESCRIPTION	MANUFACTURER	MFG PART NO.
10	2	515-102-1022	TILT ADAPTER, 12.5° FIXED PLATE	FAB	---
9	1	515-102-1021-02	TILT ADAPTER, 12.5° INDEX PLATE -02	FAB	---
8	1	515-102-1021-01	TILT ADAPTER, 12.5° INDEX PLATE -01	FAB	---
7	2	515-102-1013	TILT ADAPTER, THRUST SHEET, USM	FAB	---
6	1	515-102-1010-02	TILT ADAPTER, POLE MOUNT PLATE	FAB	---
5	1	515-102-1010-01	TILT ADAPTER, SONAR MOUNT PLATE	FAB	---
4	2	500-1554	TILT ADAPTER, PIVOT BUSHING, USM	FAB	---
3	4	500-1552	TILT ADAPTER, HEX SPACER, USM	FAB	---
2	4	90-110-500C-1750-20	SCREW, 1/2-13 UNC X 1.75 FHC 18-8	MCMMASTER	92240A718
1	8	90-100-500C-1250-20	SCREW, 1/2-13 UNC X 1.25 SCH, SST 18-8	MCMMASTER	92196A714
ITEM NO.	QTY RECD.	PART NO.	DRAWING TITLE OR DESCRIPTION	MANUFACTURER	MFG PART NO.

TOLERANCES ARE:	PRO/E REPORTED PARAMETERS		DESIGNER	
	.X +/- 0.1	PRO/E MATERIAL	G STAPLES	
.XX +/- 0.01	N/A	ENGINEER	G STAPLES	02018-JUL-14
.XXX +/- 0.001	PRO/E MASS	DRAFTER	P SALVAGIONE	02018-JUL-14
ANGLES +/- 0.5	10.998	CHECKED	---	02020-MMM-DD
INTERPRET DIMENSIONS PER ASME Y14.5M 1994 (R2004)	PRO/E VOLUME	PRO/E DRAWING FILE NAME:		DO NOT SCALE DRAWING
	N/A	515-102-9020		

UNIVERSAL SONAR MOUNT		
ASSY, 12.5° TILT ADAPTER		
SIZE	CUSTOMER DRAWING/PART NO.	REV
C	---	1
DRAWING/PART NO.		
515-102-9020		
SCALE	0.500	SHEET 1 OF 2

CUSTOMER DRAWING/PART NO.

DRAWING/PART NO.

515-102-9020

REV

SHT

1

1

A

4

3

2

1

REVISIONS
SEE SHEET 1

D

CUSTOMER DRAWING/PART NO. ---

DRAWING/PART NO.

515-102-9020

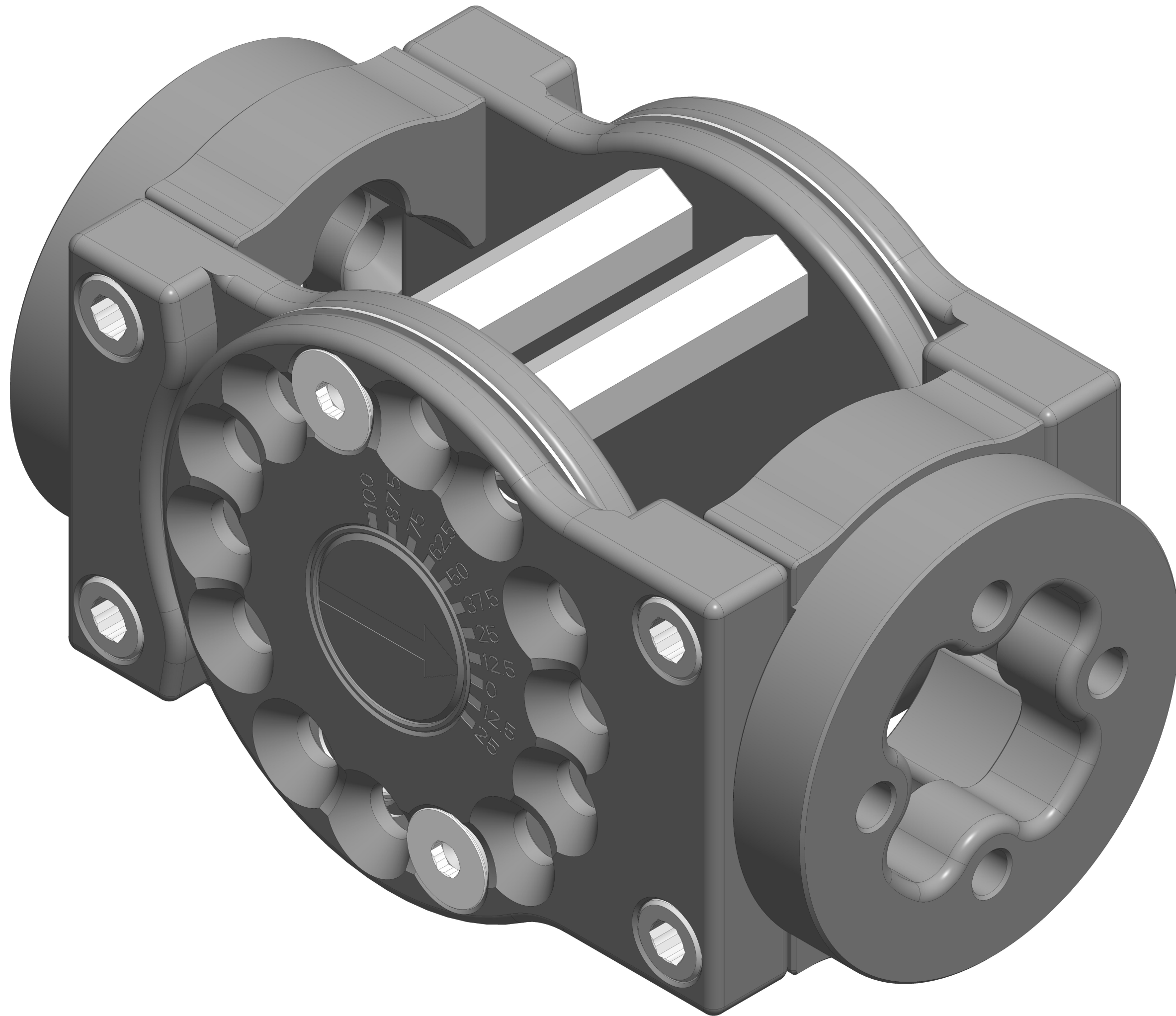
REV

1

SHT

2

A



UNIVERSAL SONAR MOUNT		
ASSY, 12.5° TILT ADAPTER		
SIZE	CUSTOMER DRAWING/PART NO.	REV
C	---	1
	DRAWING/PART NO.	
	515-102-9020	
SCALE	1.250	SHEET 2 OF 2

4

3

2

1

A