



Goldsmith Jeweller's Bench Instructions



Goldsmith Jeweller's Bench #1913 (Issued 31 May 2023)

If you have any further queries or questions relating to your Bench, please do not
hesitate to contact us:



support@durston.com



+44 (0) 1494 535388 / +44 (0) 1494 526777

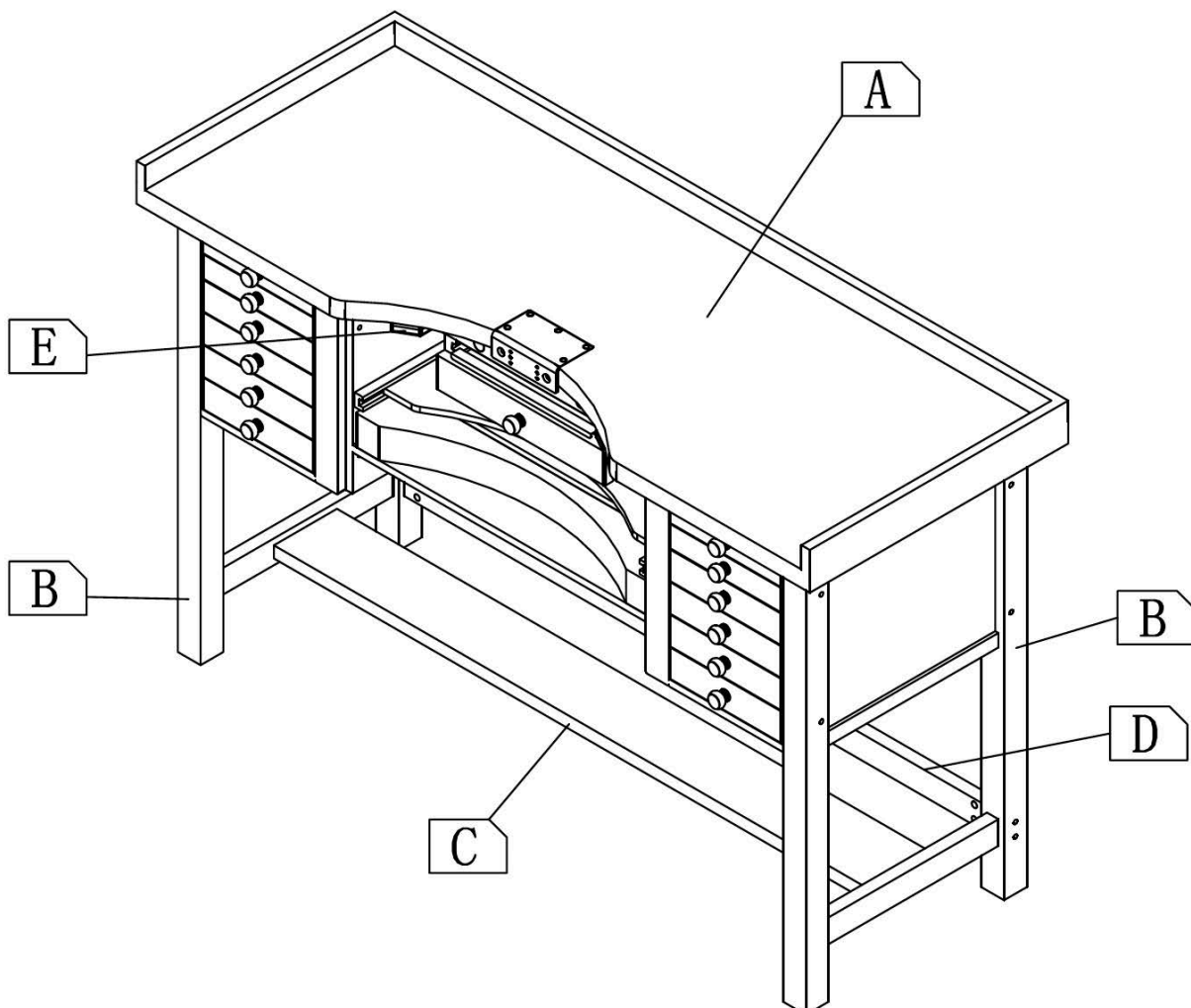


www.durston.com

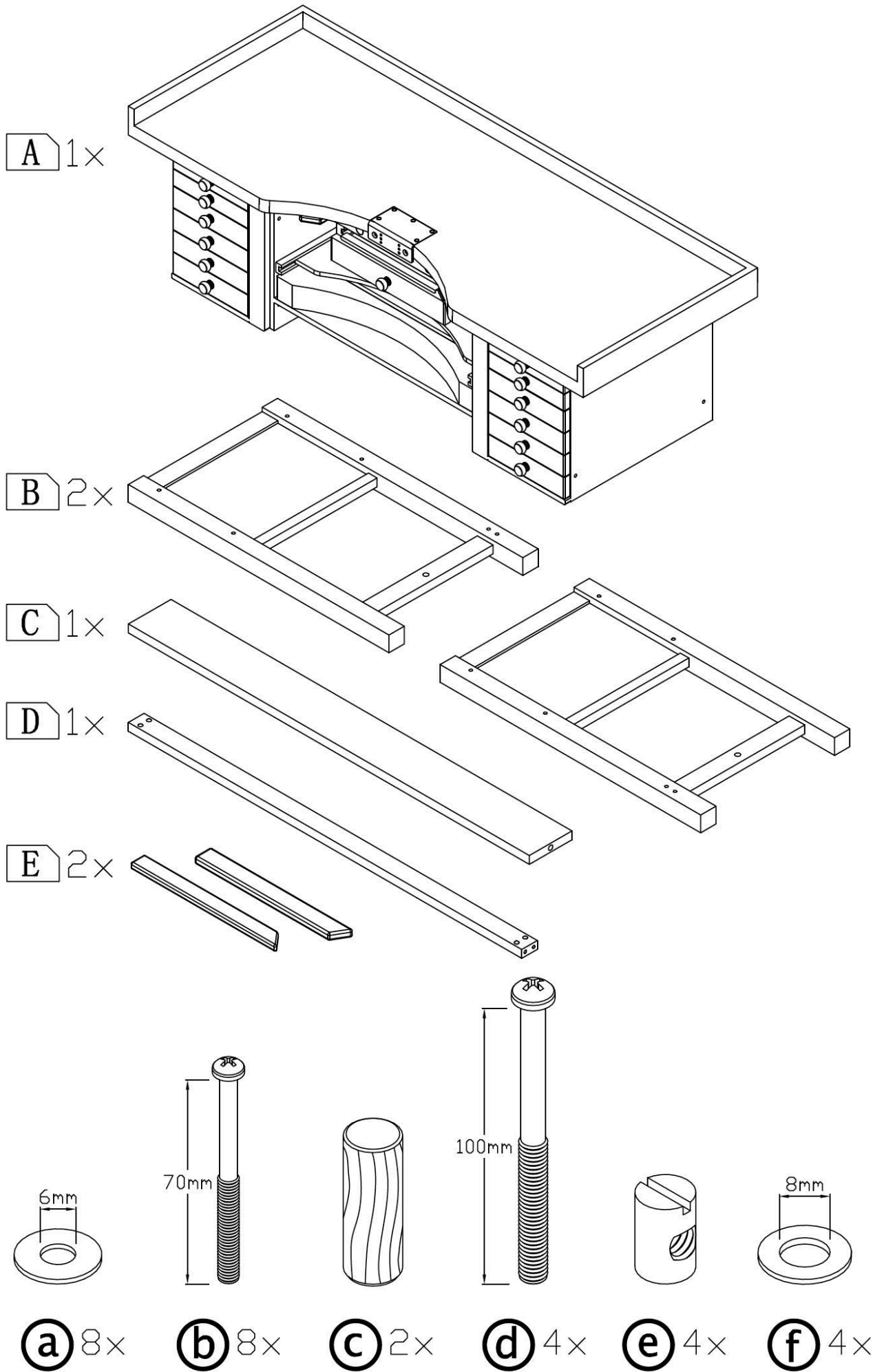
We recommend 2 people to assemble this bench - Total Box Weight 113kg

Thank you for purchasing your Durston Bench. With the correct care and use it will last many years and possibly a lifetime. The Goldsmith Workbench from Durston Tools is beautifully made from eco-friendly materials with a solid hardwood top creating a super-strong work surface to give a lifetime of use. The Goldsmith Bench also features a front attachment plate to attach a bench peg or other accessories, arm rests and mandrel holes plus an additional pull-out working area. (Bench peg / adapter sold separately)

- Extra Large Size Durable Hardwood Worktop with a retaining surround
- Pull-out Arm Rests
- Holes for Mandrels
- Bench Peg Mount (bracket and peg sold separately)
- Bench Mount Plate Compatible with GRS accessories
- Pull out Soldering Board
- Pull-out Additional Work Area
- 1 Large Pull-out Tray Draw with Galvanised Tray
- 13 Storage Drawers
- Foot Rest
- Arrives pre-built (excluding legs)
- Made from Quality Hardwood (some non structural parts made with HDF)



Box Contents

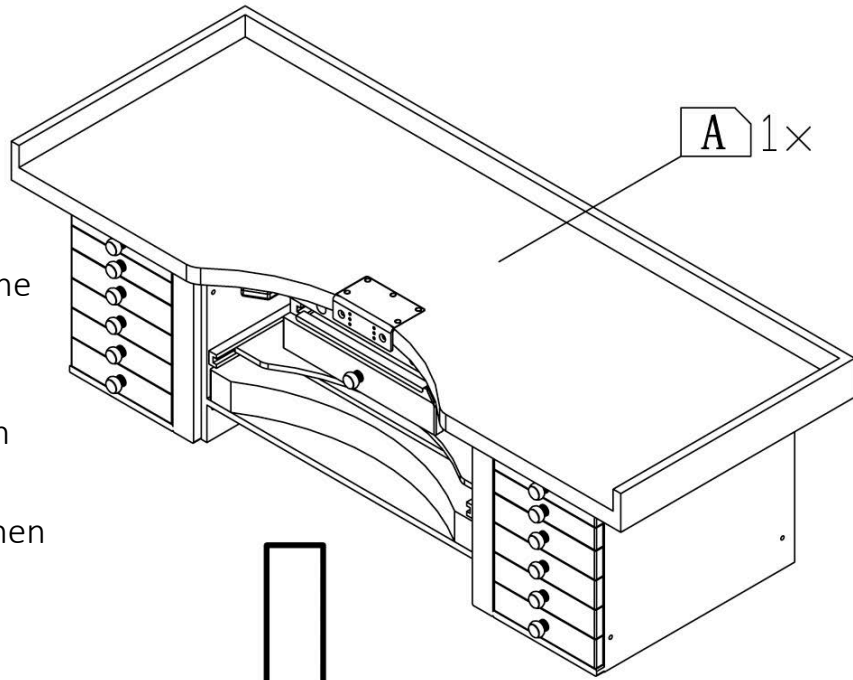


Assembling Your Bench

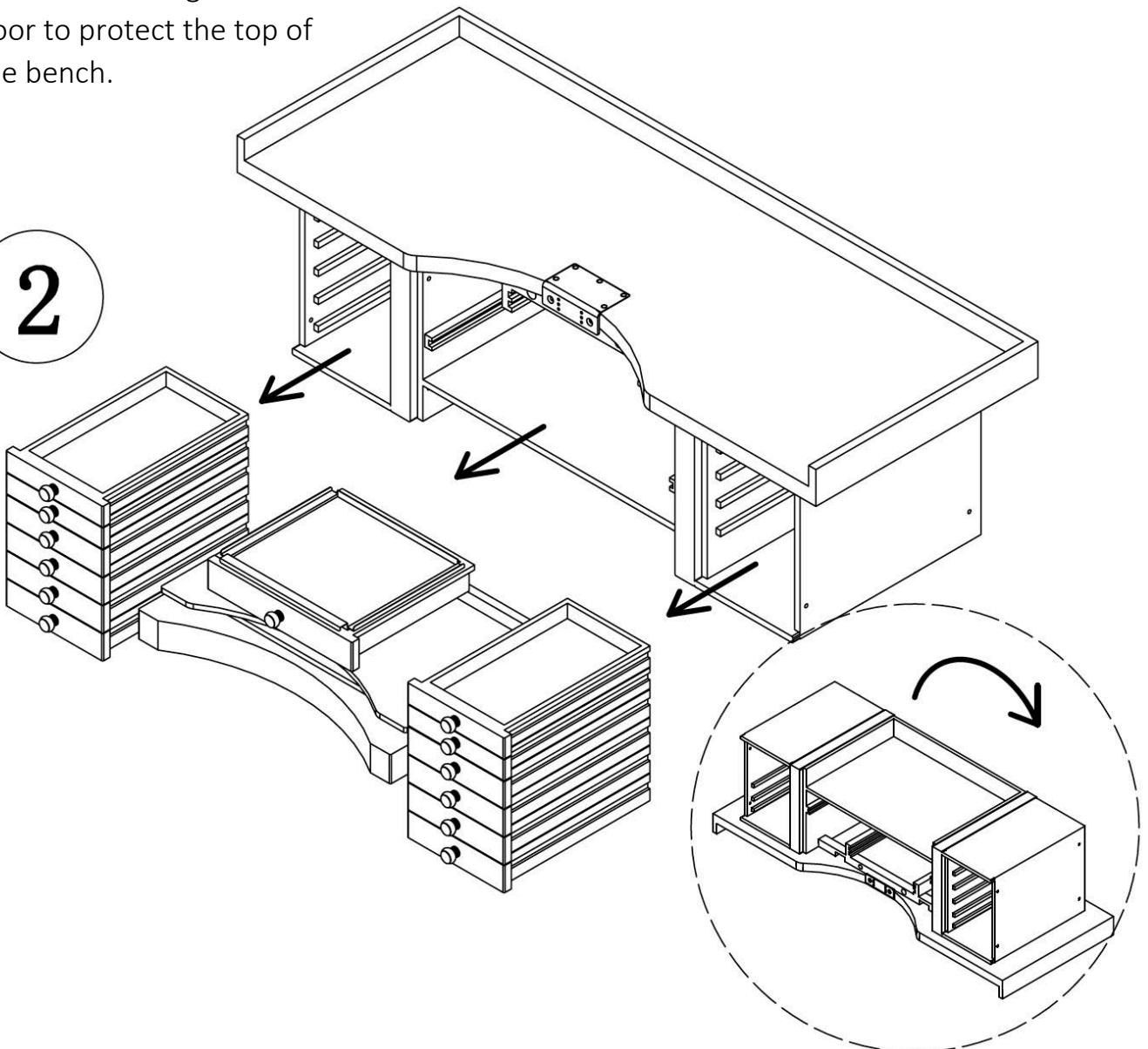
1

After removing all of the box contents, the first step is to remove the drawers from the main body (a) this prevents anything falling out when turning.

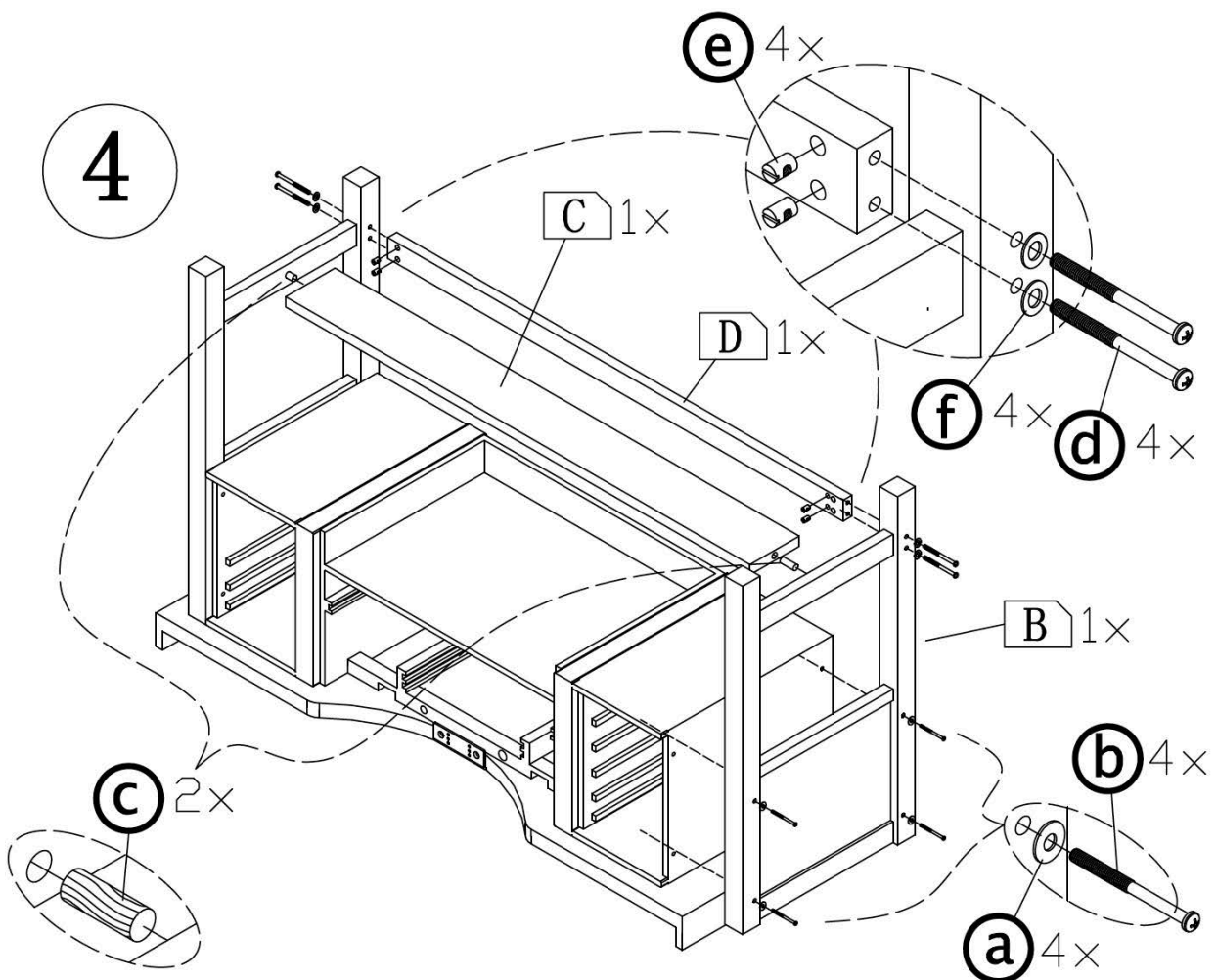
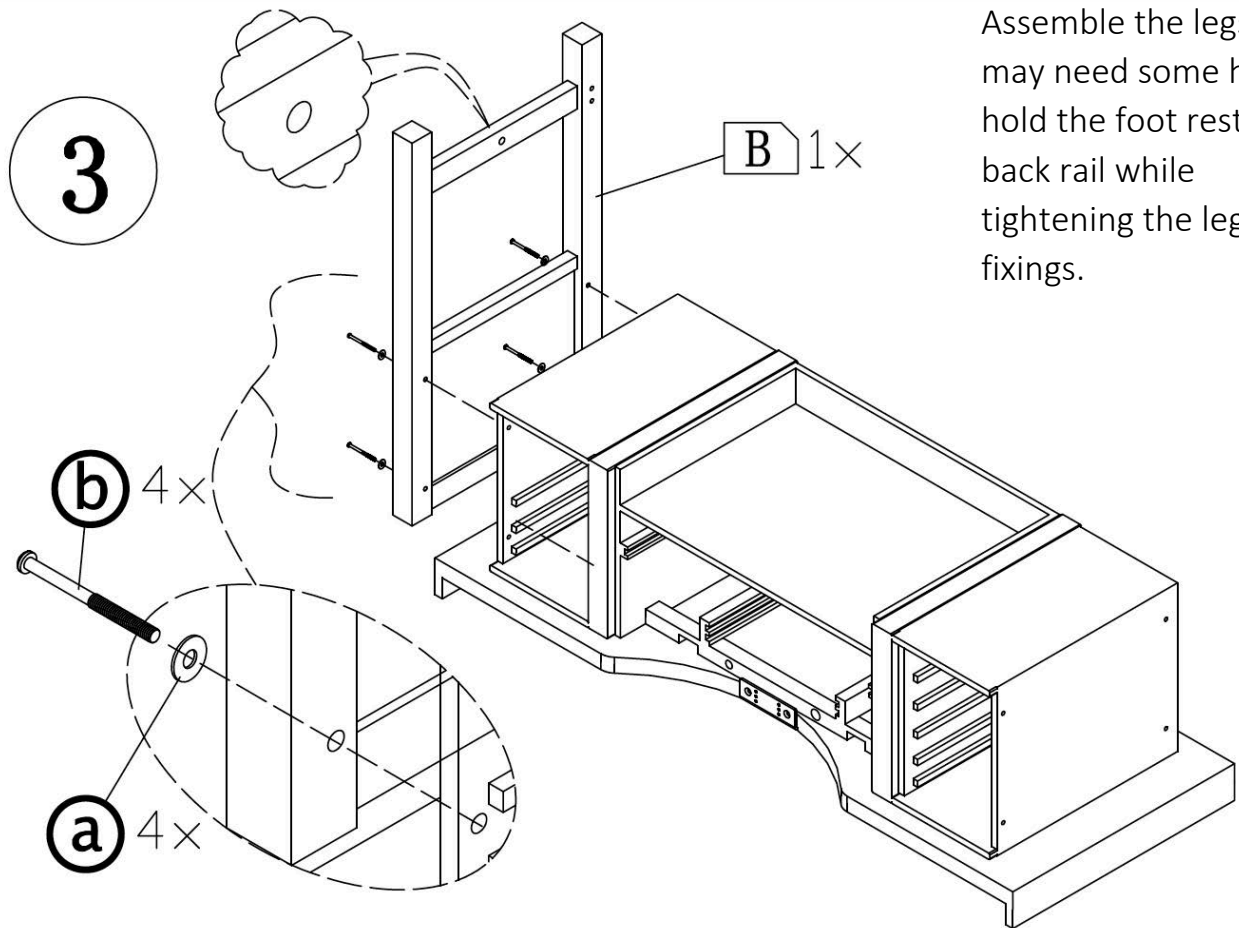
After removing, turn upside down. remember to use something on the floor to protect the top of the bench.



2



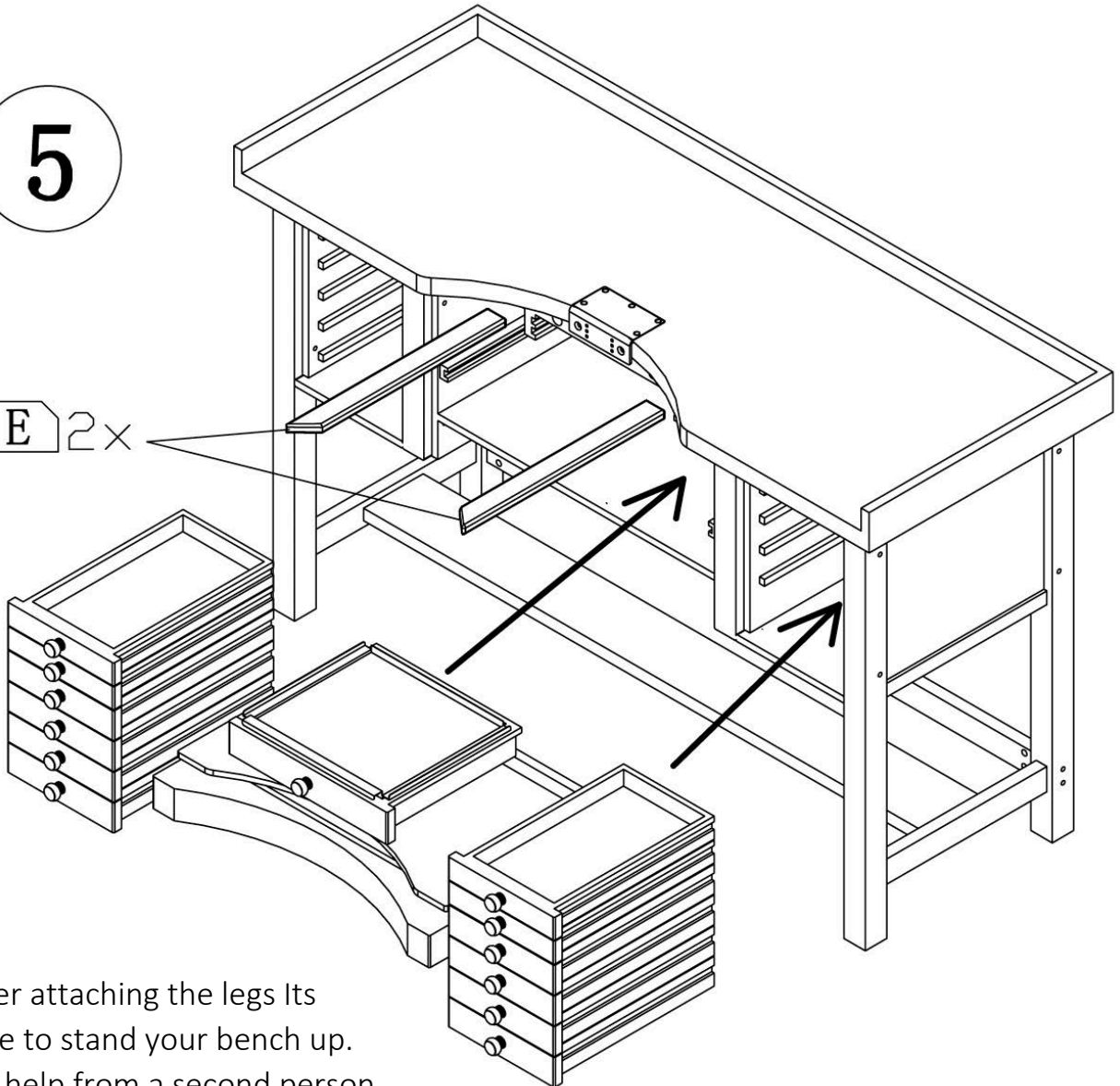
Assembling Your Bench



Assembling Your Bench

5

E 2x



After attaching the legs its time to stand your bench up. get help from a second person to lift and turn the bench.

Then move to your desired position. Its easier to move the bench before replacing the drawers incase any slide out and to make lighter work.



When your bench is in position you can replace all of the drawers.

Now your Durston Goldsmith Bench is ready for many years of work.

If you have any queries please contact our support team support@durston.com