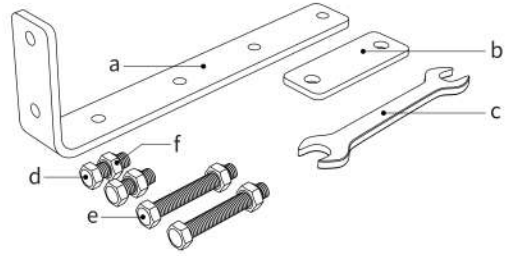


# INSTRUCTIONS

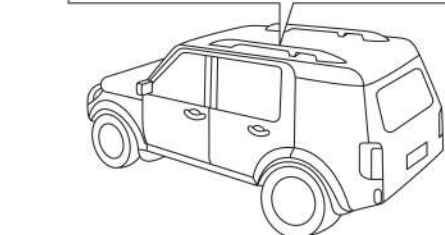
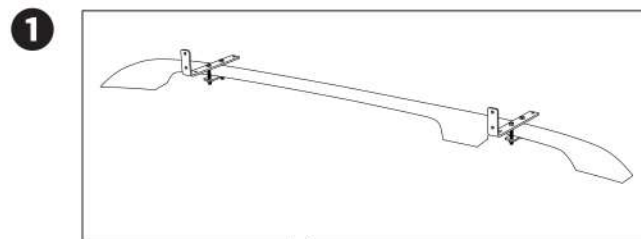
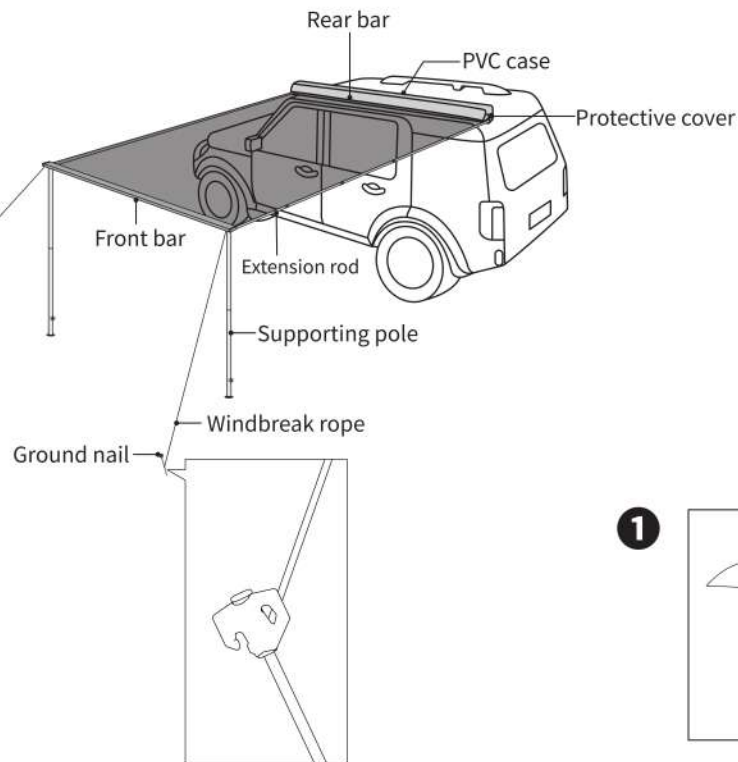
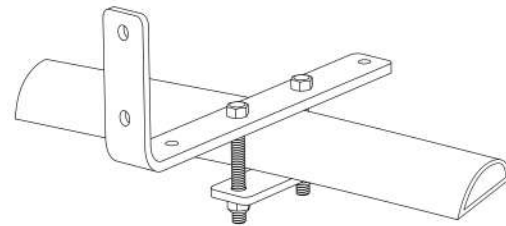
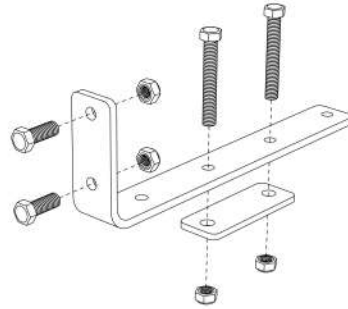
## instructions of clamps

### List of accessories

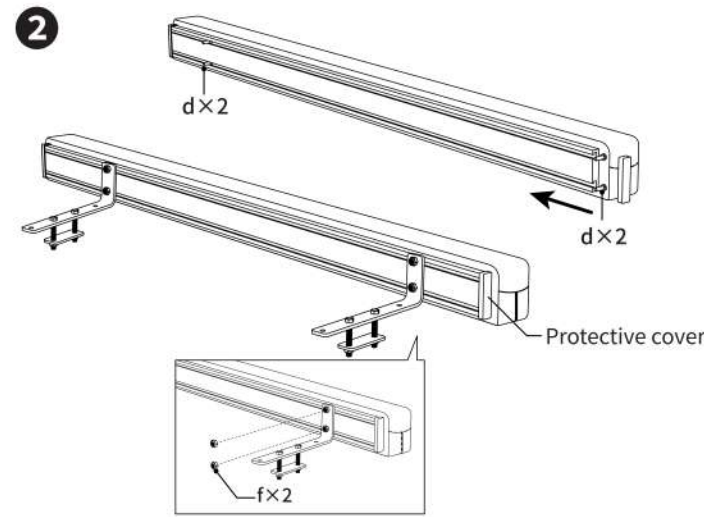


- a. Clamps × 2
- b. Plates × 2
- c. Wrenches × 2
- d. Outer hexagon bolts (M8\*25) × 4
- e. Outer hexagon bolts (M8\*50) × 4
- f. Hexagon check nuts (M8) × 8

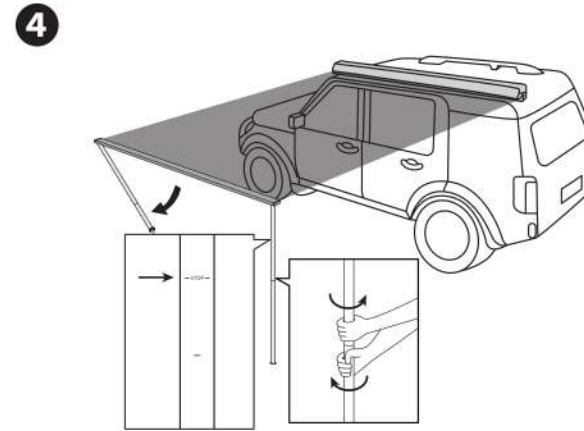
### How to use



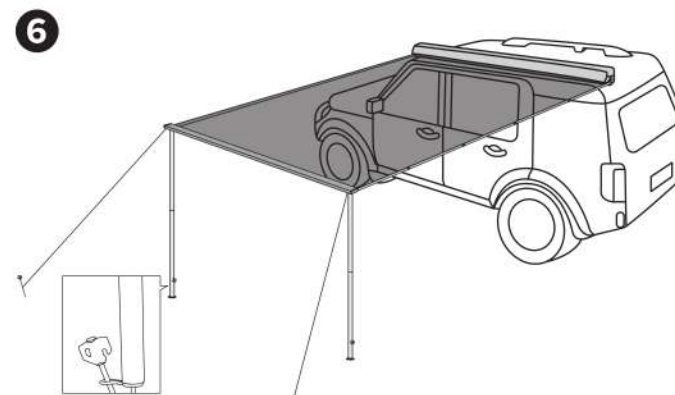
① Install the two clamps to appropriate positions of the roof rack as shown in the picture.



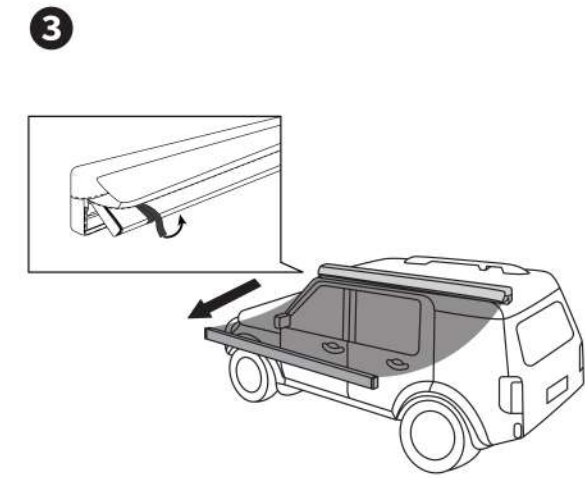
② Open the protective cover and slide 2 M8\*25 bolts respectively onto the upper and lower slides; lift the side awning to align the aforementioned bolts with the corresponding holes of the clamps and tighten them with the supplied nuts. (At least four bolts on both sides of the clamp and side awning are required to ensure safety and firmness. Users can also adjust the position of the clamps according to the actual situation and use more bolts for fastening.)



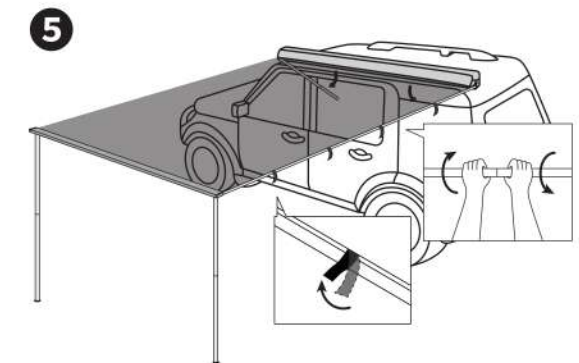
④ Expand the side awning to its full length, adjust the supporting poles of the side awning to a desired height, and tighten them until they are locked.



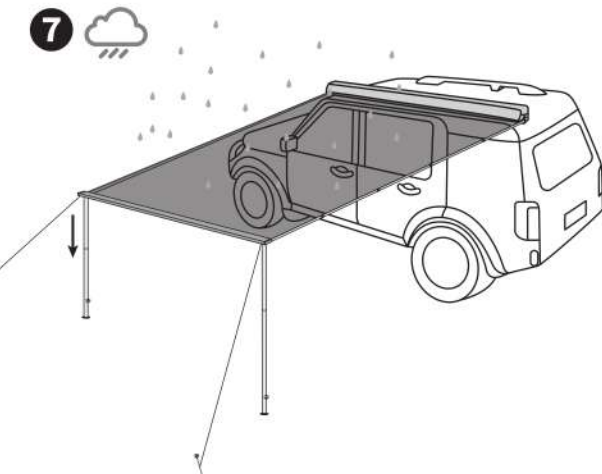
⑥ Wind cables: Use the wind cables and stakes to ensure a steady condition of the side awning to prevent from being blown down by strong winds.



③ Unzip the PVC case and undo the hook and loop fasteners.



⑤ Loosen the extension rod of the side awning, insert it into the corresponding mounting holes, and tighten the rod. Use hook and loop fasteners to fasten the tarpaulin to the rod.



⑦ Rainy days: In order to reduce the accumulation of water on the roof in rainy days, please appropriately lower the height of the supporting poles to make sure the front end is lower than the height of your car so that the rainwater can flow to the ground.

## NOTES

1. After installation, there is no need to repeatedly install and disassemble the side awning.
2. When installing the side awning, please lay a soft cloth or cushion on the installation area to prevent scratches of your car due to installation.
3. Please dry the awning completely before storing it when using in rainy days.
4. Before use, please read this manual thoroughly for correct use and maintenance.
5. Children shall not use the product.
6. Do not disassemble this product by yourself.
7. Do not modify this product by yourself.