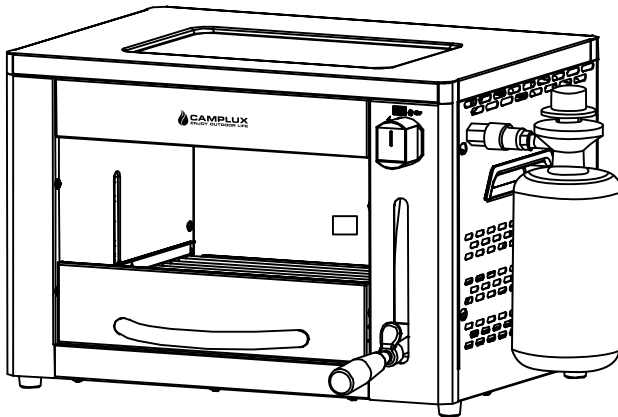


# GAS INFRARED GRILL

USE & CARE MANUAL

Model No.:CAMPLUX SG101



**1** **Table Of Content**

For Your Safety ..... 2

Explosive View ..... 4

Assembly Instructions ..... 5

In the Box ..... 6

Quick Installation ..... 6-10

Connecting/Disconnecting LP Gas Cylinder ..... 11


Leakage Test ..... 11

Lighting Instruction ..... 12-13

Shutdown Instruction ..... 13

Maintenance ..... 14


Troubleshooting ..... 14

** DANGER**

If you smell gas:

- Extinguish any open flame.
- Open lid.
- If odor continues, keep away from the appliance and immediately call your fire department.

Failure to follow these instructions and result in fire or explosion which could cause property damage, personal injury or death.

** DANGER**

- Never operate this appliance unattended.
- Never operate this appliance within 10ft (3.0 m) of any structure, combustible material or other gas cylinder.
- Never operate this appliance within 25 ft (7.5 m) of any flammable liquid.
- If a fire should occur, keep away from the appliance and immediately call your fire department. Do not attempt to extinguish an oil or a grease fire with water.

This instruction manual contains important information necessary for the proper assembly and safe use of the appliance.  
 Read and follow all warnings and instructions before assembling and using the appliance.  
 Follow all warnings and instructions when using the appliance.

**PLEASE KEEP THIS MANUAL FOR FUTURE REFERENCE.**

## For Your Safety

### FOR OUTDOOR USE ONLY!

Never use this appliance in a building, garage or any other enclosed area. This appliance is not intended to be installed in or on a boat or recreational vehicle. The appliance is not intended for commercial use.

Minimum clearance from sides and back of unit to combustible construction, 24 inches from sides and 24 inches from back.

Do not use this appliance under a combustible surface.

This appliance is for use with liquid propane (LP) gas only. The conversion to or attempted use of natural gas in this LP gas appliance is dangerous and will void your warranty.

The LP gas supply cylinder to be used must be constructed and marked in accordance with the specifications for LP gas cylinders, U.S. Department of Transportation (DOT) or the Standard for Cylinders, Spheres and Tubes for the Transportation of Dangerous Goods, CAN/CSA-B339.

Use only 16.4 oz propane gas cylinder.

Only cylinders marked "propane" must be used.

The cylinder supply system must be arranged for vapor withdrawal.

The cylinder must be disconnected when the appliance is not in use.

- a) Do not store a spare LP gas cylinder under or near this appliance.
- b) Use only 16.4 oz (1 lb). capacity disposal propane gas cylinder, never fill the cylinder, and if the instructions in (a) and (b) are not followed exactly, a fire causing death or serious injury may occur.

The pressure regulator assembly supplied with the appliance must be used. Replacement pressure regulators assemblies shall be those specified by the appliance manufacturer.



## CAUTION

The gas pressure regulator provided with this appliance must be used. Replace only with regulator Model No. KR-106A.

## WARNING

- The use of alcohol, prescription or non-prescription drugs may impair the consumer's ability to properly assemble or safely operate the appliance.
- When cooking with oil or grease, have a type BC or ABC fire extinguisher readily available.
- In the event of an oil or grease fire do not attempt to extinguish with water. Immediately call the fire department. A Type BC or ABC fire extinguisher may, in some circumstances contain the fire.
- Do not leave the appliance unattended. Keep children and pets away from the appliance at all times.
- Do not move the appliance when in use.
- This appliance is not intended for and should never be used as a heater.
- This appliance will be hot during and after use. Use insulated oven mitts or gloves for protection from hot surfaces or splatter from cooking liquids.

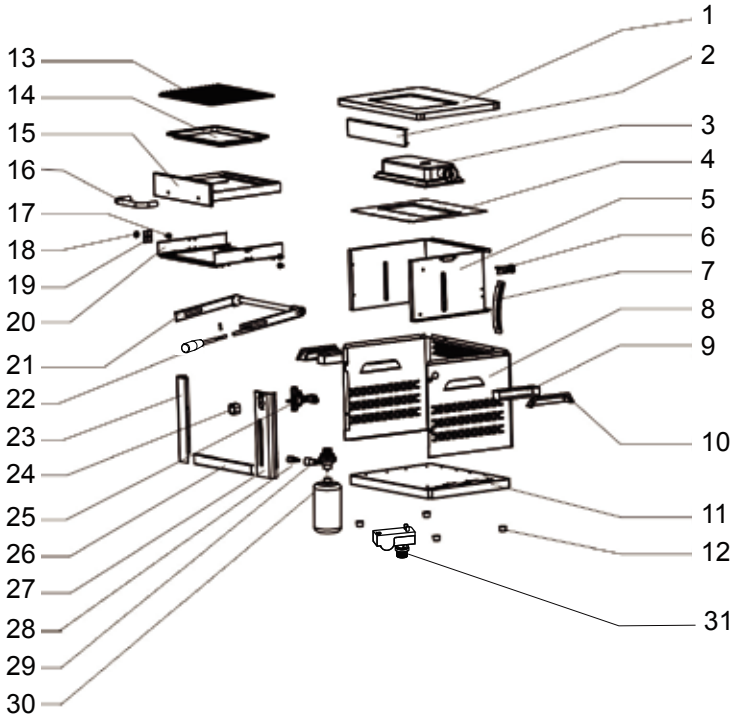
## California Proposition 65

### WARNING

This product can expose you to Carbon Monoxide/Lead, which is known to the State of California to cause birth defects or other reproductive harm. For more information go to [www.P65Warnings.ca.gov](http://www.P65Warnings.ca.gov).



# Explosive View



- |   |  |
|---|--|
| 1. Top Panel                              | 17. Guide Wheel 1                          |
| 2. Front Panel-top                        | 18. Guide Wheel 2                          |
| 3. Burner                                 | 19. Adjustable Rack & Tray Support-support |
| 4. Burner Support                         | 20. Adjustable Rack & Tray Support-outer   |
| 5. Combustion Chamber-inner Around        | 21. Interlock                              |
| 6. Pilot, Electrode And Wire Assembly     | 22. Adjustable Rack & Tray Support Handle  |
| 7. Support Panel                          | 23. Front Panel-left Side                  |
| 8. Shell-outer Around                     | 24. Control Knob                           |
| 9. Lifting Handle Support                 | 25. Burner Control Knob                    |
| 10. Lifting Handle                        | 26. Front Panel-bottom                     |
| 11. Bottom Panel                          | 27. Front Panel-right Side                 |
| 12. Legs                                  | 28. Qdd With Female Connector              |
| 13. Grill Plate                           | 29. Regulator And Qdd With Male Connector  |
| 14. Grill Tray                            | 30. Cylinder (Not Supply)                  |
| 15. Adjustable Rack & Tray Support        | 31. Ignition Control                       |
| 16. Adjustable Rack & Tray Support Handle |  |

Please contact the manufacturer or dealer to obtain replacement parts.



## Assembly Instructions

The installation must conform with local codes or, in the absence of local codes, with the National Fuel Gas Code, ANSI Z223.1/NFPA 54, Storage and Handling of Liquefied Petroleum Gases, ANSI/NFPA 58; or Natural Gas and Propane Installation Code, CSA B149.1; Propane Storage and Handling, CSA B149.2, or the Standard for Recreational Vehicles, ANSI A119.2/NFPA 1192; and Recreational Vehicle Code, CSA Z240 RV Series, as applicable.

This appliance must be installed on the opposite side, from the fuel distribution/dispensing system of RV.

The installation of the appliance must preclude the possibility of operation or gas flow when in storage (travel) position.

This appliance must be connected to the vehicles propane system with a flexible hose connector complying with the high pressure requirements of the Standard for Pigtails and Hose Connections for LP-Gas, ANSI/UL 569, and must be of the length no longer than that required to allow the grill to be mounted in the “in Use” position of its mounting system.

The hose must be installed in a manner that will not allow it to come in contact with the hot surface of the grill while in use or in the storage/travel mode.

### **WARNING**

Do not use this appliance under extended awnings. Failure to comply could result in a fire or personal injury.

### **DANGER**

Do not put grill in storage or travel mode immediately after use. Allow grill to cool to touch before moving or storing. Failure to do so could result in fire resulting in property damage, personal injury, or death.

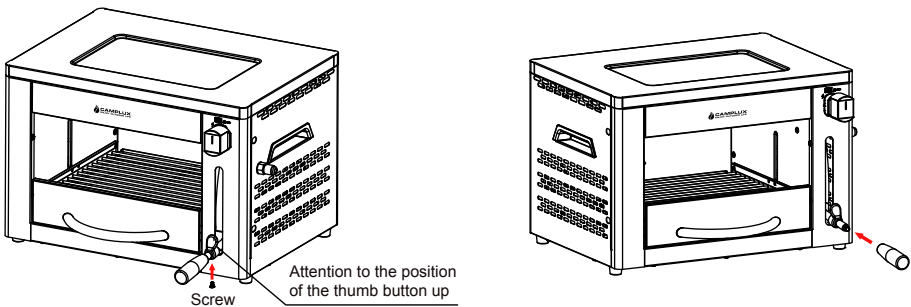


## In the Box

	Packing List	Qty
1	Camplux infrared gas grill	1
2	Grille handle	1
3	Grille	1
4	Trays (smaller one is at the bottom of the grille plate for drippings/oil, bigger one is for warming cooked foods)	2
5	5 feet gas regulator	1
6	Male connector for propane tank	1
7	Instruction manual in English & French	1

## Quick Installation

1. Operating the grilling plate lifting and illustration, always pay attention to the position of the thumb button up, and move up to adjust the grilling plate in the proper position.

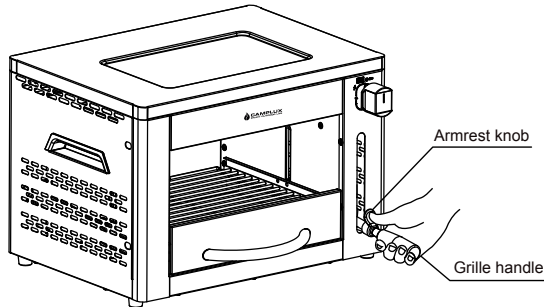


2. The ignition knob and the grille was not installed before the factory, please install as per users manual.
3. To prevent excessive force damage, please always take wrenches by the torque value 60-70 N when you connecting gas regulator and gas source. Or leads gas leakage if sealed by small force.



## Instruction Guide for Adjustable Grille

STEP 1: Hold the grille handle with four fingers, press the armrest knob with your thumb (as shown below), pull out the grille handle and move it upward.



STEP 2: Move to desired layer.

STEP 3: Loosen the grille handle then you can regularize the layer position of the steak rack. Repeat step 1 to step 3 to if you want adjust different layers again.

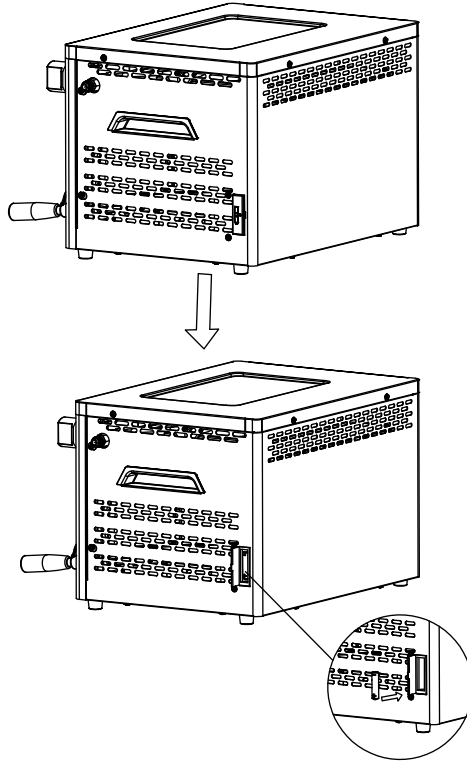
## Battery installation guide

### 1pcs AA battery required for ignition (not included)

Open the battery compartment cover on the left, insert one AA battery (not included) and pay attention, make sure the AA battery is facing down before ignition.







## Multiple & Quick Installation

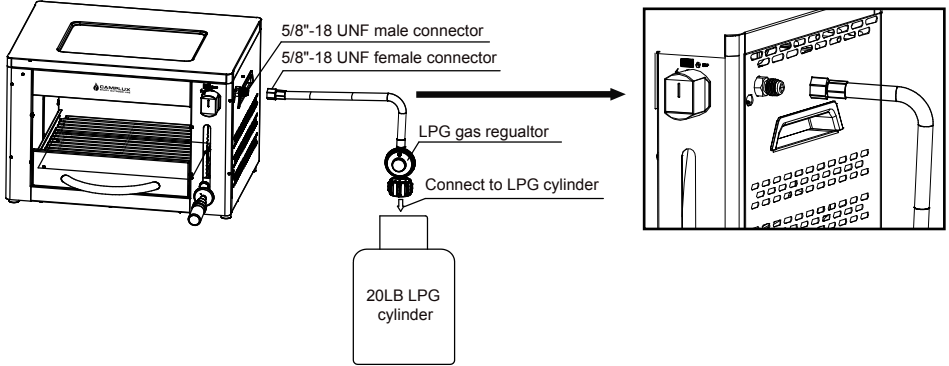
1. You can connect to standard 20lb propane cylinder with supplied gas regulator quickly.

STEP 1: Remove all parts from the carton and lay them out on a smooth, clean place. Verify all parts in explosive view are included and without damage.

STEP 2: Connect regulator.

STEP 3: Tested outdoors in a well-ventilated area, away from ignition sources such as gas fired or electrical appliances to make sure no gas leaks and keep grills away from open flames or sparks.



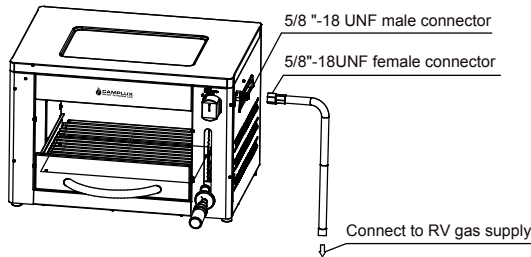


2. Connect to standard RV propane directly.

STEP 1: Remove all parts from the carton and lay them out on a smooth, clean place. Verify all parts in explosive view are included and without damage.

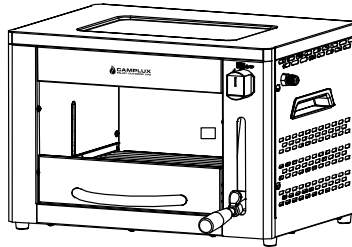
STEP 2: Connect the gas hose from RV.

STEP 3: Tested in a well-ventilated RV, away from ignition sources such as gas fired or electrical appliances to make sure no gas leaks and keep grills away from open flames or sparks.

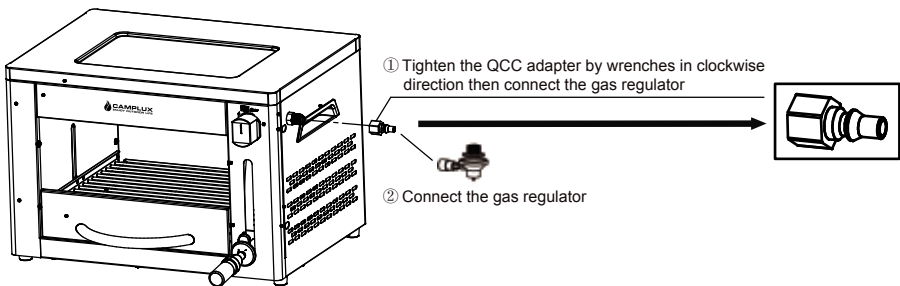


3. Try conversion to 1 lb cylinder for tailgating with Camplux T4-C adapter ( Not included from the package but available from Camplux on Amazon-Model No. T4-C)

STEP 1: Remove all parts from the carton and lay them out on a smooth, clean place. Verify all parts in explosive view are included and without damage.



STEP 2: Tighten the QCC adapter by wrenches in clockwise direction then connect the gas regulator.

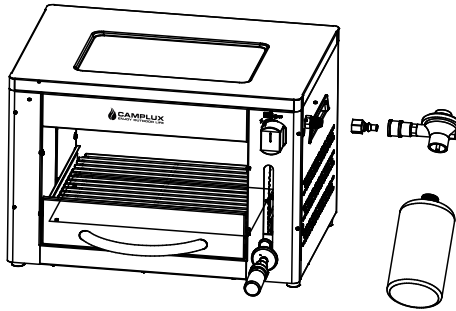


STEP 3: Verify orifice inside of burner venturi correctly. Verify and place racks in correct position.



## Connecting LP Gas Cylinder

1. Turn the burner control knob to “OFF” position.
2. Try conversion to 1 lb cylinder for tailgating with Camplux T4-C adapter ( Not included from the package but available from Camplux on Amazon-Model No.T4-C )



Tighten 1 lb cylinder by hand in clockwise direction

## Disconnecting LP Gas Cylinder

1. Turn the burner control knob to “OFF” position.
2. Disconnect the 1 lb propane cylinder from the regulator by turning cylinder counterclockwise by hand.

After completed of installation, leakage test shall be conducted before used.

## Leakage Test

- Do not smoke during leak test.
- Do not use an open flame to check for gas leaks.
- Grill must be leak tested outdoors in a well-ventilated area, away from ignition sources such as gas fired or electrical appliances. During leak test, keep grill away from open flames or sparks.

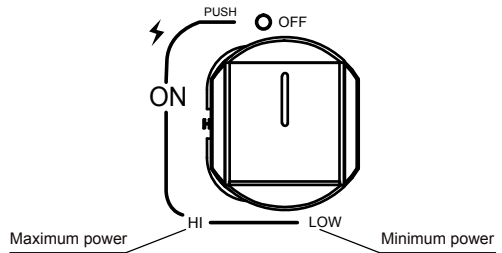
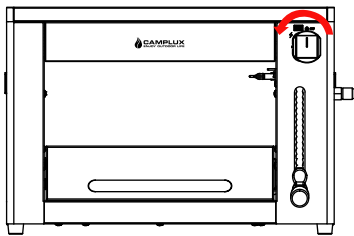


## Test procedure

1. Prepare a clean paintbrush and a 50/50 mild soap and water solution.
2. Make sure valve is in OFF position.
3. Connect 1 lb propane cylinder to regulator CGA600 Connector (**not included**) by turning cylinder clockwise by hand to tight.
4. Brush soapy solution onto gas connection such as propane cylinder and CGA600 connector, valve control knob, QDD, if there's bubbles "growing", disconnect propane cylinder by turning anticlockwise by hand, and replace gas regulator assembly.

## Lighting Instruction

**⚠ Note:** Please open the gas pressure valve of connecting gas cylinder before the following ignition operations.



1. Read Instruction before lighting.
2. Make sure control knob is in OFF position.
3. Connect 1 lb propane cylinder to regulator connector by turning cylinder clockwise by hand to tight.
4. Push and turn on control knob counterclockwise to "ON" position.
5. If pilot was not lit, try to push and turn on control knob to "ON" position several times.
6. Once the pilot was lit, continue to push the control knob for 10~20 seconds
7. After pilot was lit, adjust burners to desired cooking settings.
8. If ignition does not occur in 5 seconds, turn the burner control(s) off, wait 5 minutes, and repeat the lighting procedure.

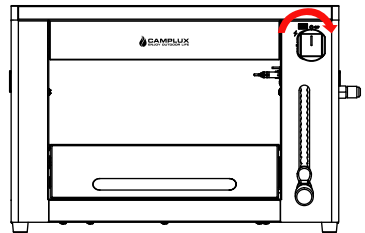


## Match lighting instruction

1. Read Instruction before lighting.
2. Make sure control knob is in OFF position.
3. Connect 1 lb propane cylinder to regulator connector by turning cylinder clockwise by hand to tight.
4. Place a long lit grill lighter or light via lighting rod near pilot.
5. Immediately push and turn control knob counterclockwise to Pilot position.
6. If pilot was not lit, try to push and turn on control knob to pilot position several times.
7. Once the pilot was lit, continue to push the control knob for 10-20 seconds.
8. After pilot was lit, adjust burners to desired cooking settings.
9. If ignition does not occur in 5 seconds, turn the burner control(s) off, wait 5 minutes, and repeat the lighting procedure.

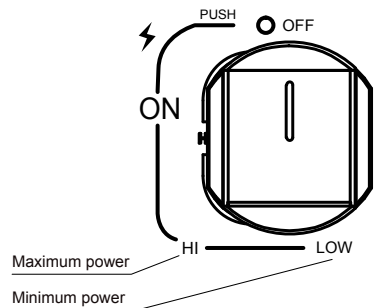
## Shutdown Instruction

1. Turn control knob clockwise to "OFF" position.
2. Disconnect the 1 lb propane cylinder from the regulator by turning cylinder counterclockwise by hand, when appliance is not in use.



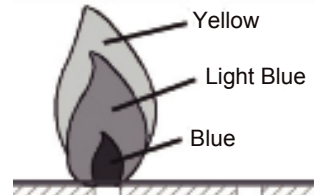
## Burner Power Adjustment

You can choose the desired power after the burner light. "HI" position is for maximum power. "LOW" position is for minimum power.



## Maintenance Instruction

- Keep appliance area clear and free of any combustible materials, gasoline and other flammable vapors and liquids.
- Not obstructing the flow of combustion and ventilation air.
- Checking and cleaning burner/venturi tubes for insects and insect nests. A clogged tube can lead to a fire beneath the appliance.
- To reduce the risk of grease fire, always clean the drip tray and remove any grease from the inside of the grill using warm soapy water. The outside of the appliances can also be wiped down with warm soapy water.
- Use a brass bristled barbecue brush to scrub the stainless steel cooking grates, not a steel bristled wire brush.
- Visually checking burner flames, flame should be a blue with yellow tipping.



## Troubleshooting

Problem	Possible Cause	Solution
Burner could not light	Faulty regulator	Have the regulator checked or replaced
	Obstructions in the burner	Clean burner
	Obstructions in gas orifice	Clean orifice
	Electrode is damaged/faulty igniter	Change electrode and wire or change igniter
	Empty LP cylinder	Use a new LP cylinder
Flame extinguished when release the valve	Faulty safety valve/thermocouple	Replace safety valve / thermocouple
	Thermocouple loose from safety valve	Re-assembly thermocouple and safety valve
Low flame	Obstructions in the burner	Clean burner
	Obstructions in gas orifice	Clean orifice



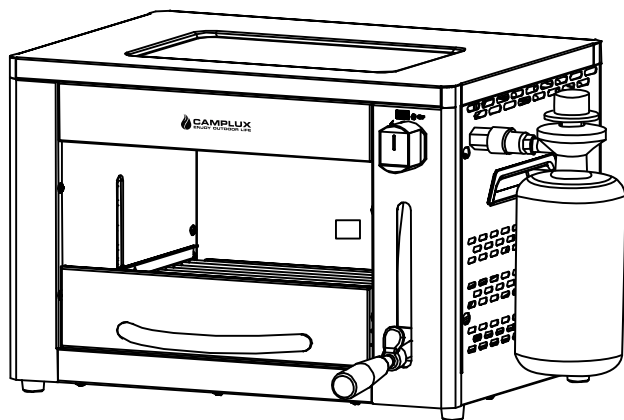




# GRILL INFRAROUGE AU GAZ

Manuel d'utilisation et d'entretien

Numéro de modèle: CAMPLUX SG101



## Table des matières

Pour votre sécurité .....	2
Vue explosive .....	4
Instructions de montage .....	5
Dans la boîte .....	6
Astuces .....	6-10
Connexion/déconnexion du cylindre de gaz LP .....	11
Essai de fuite .....	11
Instructions d'éclairage .....	12-13
Instruction d'arrêt .....	13
Entretien .....	14
Dépannage .....	14



### DANGER

Si vous sentez une odeur de gaz:

- Éteindre toute flamme nue.
- Ouvrir le couvercle.
- Si l'odeur persiste, appelez immédiatement votre fournisseur de gaz ou votre service des incendies.

Le non respect des instructions suivantes peut entraîner des dommages matériels, des blessures graves ou la mort résultant d'un incendie ou d'une explosion.



### DANGER

- Never operate this appliance unattended.
- Never operate this appliance within 10ft (3.0 m) of any structure, combustible material or other gas cylinder.
- Never operate this appliance within 25 ft (7.5 m) of any flammable liquid.
- If a fire should occur, keep away from the appliance and immediately call your fire department. Do not attempt to extinguish an oil or a grease fire with water.

Cette notice contient des renseignements importants permettant un assemblage adéquat et à une utilisation sécuritaire de l'appareil.

Lire et suivre toutes les mises en garde et toutes les instructions avant l'assemblage et l'utilisation de l'appareil.

Suivre toutes les mises en garde et toutes les instructions lors de l'utilisation de l'appareil.

**CONSERVEZ CETTE NOTICE POUR CONSULTATION ULTÉRIEURE.**



## Pour votre sécurité

### UTILISER À L'EXTÉRIEUR UNIQUEMENT!

N'utilisez jamais cet appareil dans un bâtiment, un garage ou tout autre espace clos.

Cet appareil de cuisson extérieure n'est pas conçu pour être installé dans ou sur un bateau et/ou des véhicules récréatifs.

L'appareil n'est pas destiné à un usage commercial.

Dégagement minimal entre les parois latérales et l'arrière de l'appareil et la construction combustible, 61 cm à partir des parois latérales et 61 cm à partir de l'arrière.

Ne pas utiliser cet appareil sous une surface combustible.

Ce gril est destiné à être utilisé avec du gaz propane liquide (LP) seulement. La conversion ou la tentative d'utilisation du gaz naturel dans ce gril à gaz propane est dangereuse et annulera votre garantie.

La bouteille de LP à être utilisé doit être fabriquée et marquée conformément aux spécifications des bouteilles de GPL, US Department of Transportation (DOT) ou la norme pour les bouteilles et tubes pour le transport des marchandises dangereuses, CAN/CSA-B339.

Utiliser seulement 16.4 oz bouteille de propane.

Seules les bouteilles marquées "propane" doit être utilisé.

Le LP bouteille doit être positionné pour le retrait de vapeur.

La bouteille doit être débranchée lorsque l'appareil n'est pas utilisé.

- a) Ne rangez pas de bouteille de gaz de rechange sous ou à proximité de cet appareil.
- b) N'utilisez que des bouteilles de propane dont la capacité d'élimination est de 16,4 oz (1 lb) .

Le régulateur fourni doit être utilisé avec l'appareil. Replacement pressure regulators assemblies shall be those specified by the appliance manufacturer.



## ATTENTION

Le régulateur de pression de gaz fourni avec cet appareil doit être utilisé. Remplacez le régulateur seulement avec le Modèle No. KR-106A spécifié par le fabricant de l'appareil.

## AVERTISSEMENT

- La consommation d'alcool, de médicaments prescrits ou non prescrits peuvent nuire à la capacité du consommateur à faire fonctionner l'appareil correctement /en toute sécurité.
- Lorsque vous cuisinez avec de l'huile ou de la graisse, ayez un extincteur de type BC ou ABC facilement disponible.
- En cas d'incendie d'huile ou de graisse, ne tentez pas de s'éteindre avec de l'eau. Appelez immédiatement les pompiers. Un extincteur de type BC ou d'ABC peut, dans certaines circonstances, contenir l'incendie.
- Ne laissez pas l'appareil sans surveillance. Éloignez tout le temps les enfants et les animaux domestiques de l'appareil.
- Ne déplacez pas l'appareil pendant son utilisation.
- Cet appareil n'est pas destiné et ne doit jamais être utilisé comme un appareil de chauffage.
- Cet appareil sera chaud pendant et après l'utilisation. Utiliser des mitaines ou des gants isolés pour protéger les surfaces chaudes ou les éclaboussures des liquides de cuisson.

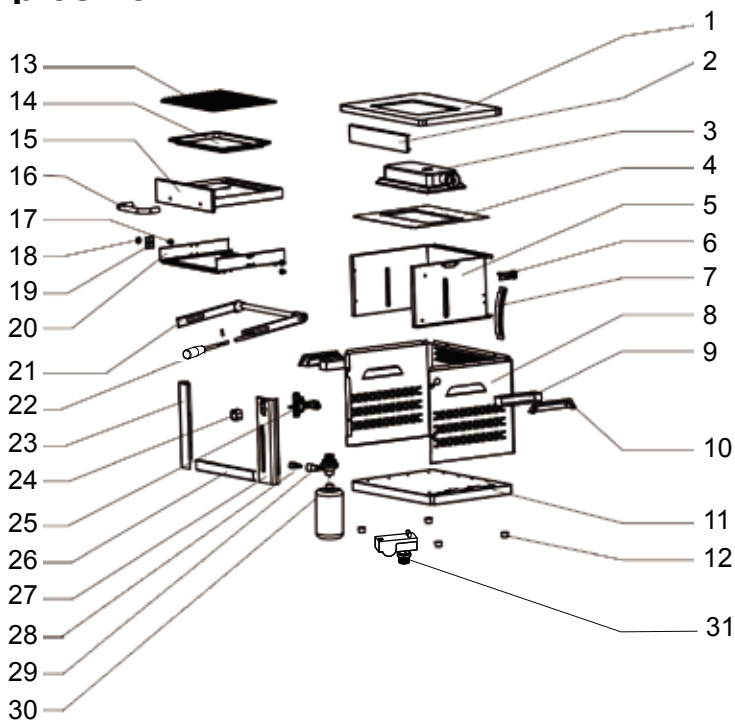
## Proposition 65 de la Californie

### AVERTISSEMENT

Ce produit peut vous exposer au monoxyde de carbone/plomb, reconnu par l'État de Californie comme pouvant causer des anomalies congénitales ou d'autres problèmes de reproduction. Pour plus d'informations, visitez [www.P65Warnings.ca.gov](http://www.P65Warnings.ca.gov).



## Vue explosive



- |  |  |
|--|--|
| 1. Panneau supérieur                         | 17. Roue de guidage 1                          |
| 2. Panneau avant-haut                        | 18. Roue de guidage 2                          |
| 3. Brûleur                                   | 19. Rack réglable-support plateau-support      |
| 4. Support brûleur                           | 20. Rack réglable-support plateau-outer        |
| 5. Chambre de combustion-intérieur autour    | 21. S'encastrer                                |
| 6. Montage pilote, électrode et fil          | 22. Rack réglable-poignée de support plateau   |
| 7. Panneau de soutien                        | 23. Panneau avant-côté gauche                  |
| 8. Shell-outer around                        | 24. Bouton de commande                         |
| 9. Soutien de poignée de levage              | 25. Bouton de commande de brûleur              |
| 10. Poignée de levage                        | 26. Panneau avant-bas                          |
| 11. Panneau de fond                          | 27. Panneau avant-côté droit                   |
| 12. Jambes                                   | 28. Qdd avec connecteur femelle                |
| 13. Assiette grill                           | 29. Régulateur et qdd avec connecteur masculin |
| 14. Plateau de grill                         | 30. Cylindre (pas d'alprovisionnement)         |
| 15. Support ajustable rack et pan            | 31. Commande d'allumage                        |
| 16. Rack réglable-poignée de support plateau |  |

Veuillez contacter le fabricant ou le revendeur pour obtenir des pièces de rechange.



## Instructions de montage

L'installation doit être conforme aux cordons locaux ou en l'absence de codes locaux, au code national du gaz et des carburants, ANSI Z223.1/NFPA 54, o el Código de Instalación de Gas Natural y Propano, CSA B149.1, Stockage et manutention du propane, CSA B149.2, ou la norme pour les véhicules récréatifs, ANSI A119.2/NFPA 1192; et le Code des véhicules récréatifs, série RV CSA Z240, le cas échéant.

Cet appareil doit être installé de l'autre côté, à partir du système de distribution /distribution de carburant du VR.

L'insallation de l'appareil doit empêcher la possibilité d'un fonctionnement ou d'un écoulement de gaz lorsqu'il est en position d'entreposage (voyage).

Cet appareil doit être relié au système de propane des véhicules avec un connecteur flexible de tuyau se conformant aux exigences de haute pression de la norme pour les queues de cochon et les connexions de tuyau pour LP-Gas, ANSI/UL 569, et doit être de la longueur pas plus longue que celle requise pour permettre au grill d'être monté dans la position "en cours d'utilisation" de son système de montage.

Le tuyau doit être installé d'une manière qui ne lui permettra pas d'entrer en contact avec la surface chaude du grill pendant son utilisation ou en mode stockage/voyage.



### AVERTISSEMENT

Ne pas utiliser cet appareil sous un auvent. Le non respect de cette mesure de sécurité pourrait entraîner un incendie ou des blessures.



### DANGER

Ne mettez pas le grill en mode stockage ou en mode voyage immédiatement après utilisation. Laissez le grill refroidir au toucher avant de le déplacer ou de le ranger. Le non respect de cette mesure de sécurité pourrait entraîner un incendie causant des dommages à la propriété, des blessures ou la mort.

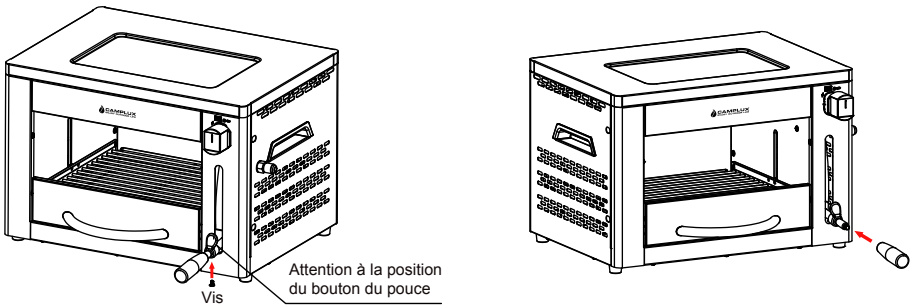


## Dans la boîte

	Liste de colisage	Quantité
1	Camplux gril à gaz infrarouge	1
2	Poignée de grille	1
3	Grille	1
4	plateaux (un plus petit est au bas de la plaque de la grille pour les égouttements / l'huile, un plus grand est pour réchauffer les aliments cuits)	2
5	5 feet gas regulator	1
6	Male connector for propane tank	1
7	Instruction manual in English & French	1

## Astuces

1. En actionnant le levage et l'illustration de la plaque de cuisson, faites toujours attention à la position du bouton du pouce vers le haut et déplacez-vous vers le haut pour régler la plaque de cuisson dans la position appropriée.

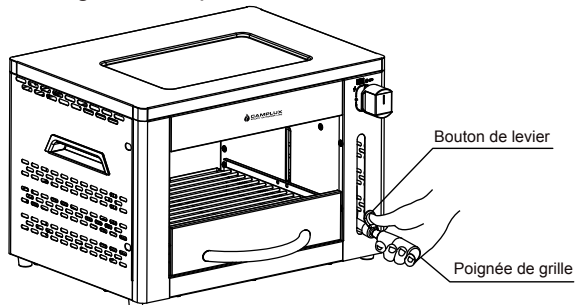


2. Le bouton d'allumage et la grille n'ont pas été installés avant l'usine, veuillez les installer conformément au manuel d'utilisation.
3. Pour éviter tout dommage excessif dû à la force, veuillez toujours prendre des clés au couple de 60 à 70 N lorsque vous connectez le régulateur de gaz et la source de gaz, ou entraîner une fuite de gaz si elles sont scellées par une petite force.



## Guide d'instructions pour la grille réglable

ÉTAPE 1: Tenez la poignée de la grille avec quatre doigts, appuyez sur l'accoudeur avec votre pouce (comme illustré ci-dessous), tirez la poignée de la grille et déplacez-la vers le haut.



ÉTAPE 2: Passez au calque souhaité.

ÉTAPE 3: Desserrez la poignée de la grille pour régulariser la position de la couche du casier à steak. Répétez les étapes 1 à 3 si vous souhaitez à nouveau ajuster différents calques.

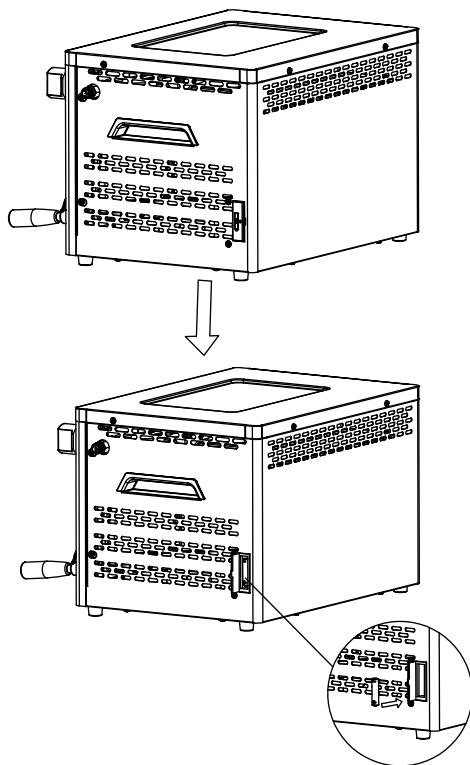
## Guide d'installation de la batterie

### 1 pile AA requise pour l'allumage (non incluse)

Ouvrez le couvercle du compartiment à piles à gauche, insérez une pile AA (non incluse) et faites attention, assurez-vous que la pile AA est orientée vers le bas avant l'allumage.







## Installation multiple et rapide

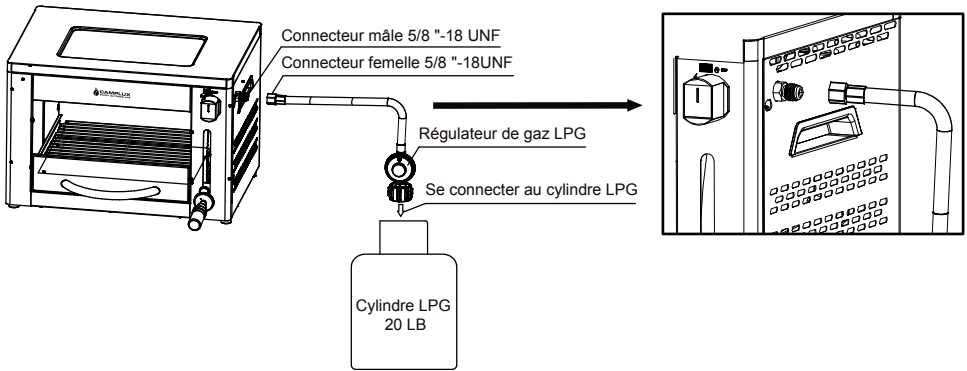
1. Vous pouvez vous connecter rapidement à une bouteille de propane standard de 20 lb avec le régulateur de gaz fourni.

ÉTAPE 1: Retirez toutes les pièces du carton et disposez-les dans un endroit lisse et propre. Vérifiez que toutes les pièces en vue explosive sont incluses et sans dommage.

ÉTAPE 2: Connectez le régulateur.

ÉTAPE 3: Testé à l'extérieur dans un endroit bien ventilé, loin des sources d'inflammation telles que les appareils à gaz ou électriques pour s'assurer qu'il n'y a pas de fuite de gaz et garder les grils loin des flammes nues ou des étincelles.



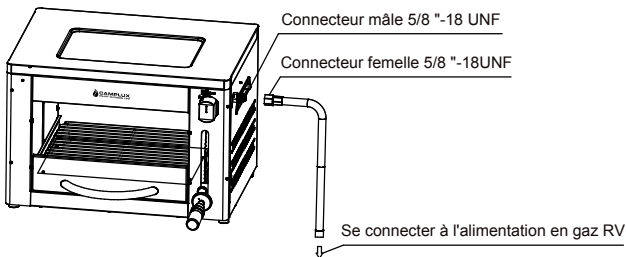


2. Connectez-vous directement au propane RV standard.

ÉTAPE 1: Retirez toutes les pièces du carton et disposez-les dans un endroit lisse et propre. Vérifiez que toutes les pièces en vue explosive sont incluses et sans dommage.

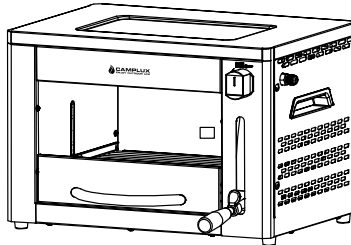
ÉTAPE 2: Connectez le tuyau de gaz de RV.

ÉTAPE 3: Testé dans un VR bien ventilé, loin des sources d'inflammation telles que les appareils à gaz ou électriques pour s'assurer qu'il n'y a pas de fuite de gaz et garder les grils loin des flammes nues ou des étincelles.

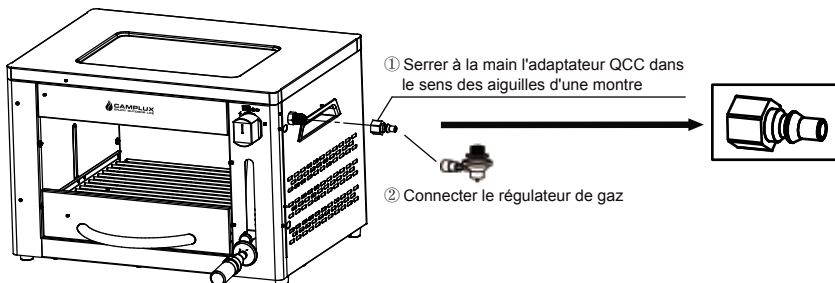


3. Essayez la conversion en réservoirs de 1 lb pour le talonnage avec l'adaptateur Camplux T4-C (non inclus dans l'emballage mais disponible sur le modèle Camplux n° T4-C sur Amazon).

ÉTAPE 1: Enlevez toutes les pièces du carton et posez-les sur une surface lisse et propre. Vérifier que toutes les pièces en vue explosive sont included et sans dommage.



ÉTAPE 2: Serrez à la main l'adaptateur de QCC dans le sens horaire puis connectez le régulateur de gaz.

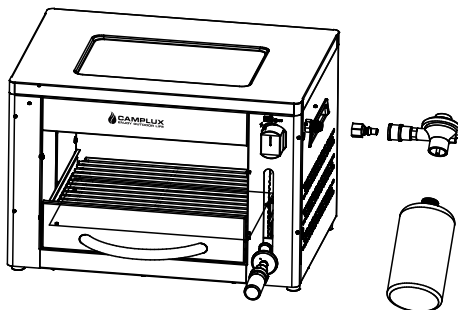


ÉTAPE 3: Vérifier correctement l'orifice à l'intérieur du brûleur venturi. Vérifier et placer les supports en bonne position.



## Brancher le cylindre de gaz de LP

1. Tournez le bouton de commande du brûleur sur la position "OFF".
2. Essayez la conversion en réservoirs de 1 lb cylindre le talonnage avec l'adaptateur Camplux T4-C (non inclus dans l'emballage mais disponible sur le modèle Camplux n° T4-C sur Amazon).



Serrer le cylindre de 1 lb à la main dans le sens des aiguilles d'une montre

## Débrancher la bouteille de gaz propane

1. Tournez le bouton de commande du brûleur sur la position "OFF".
2. Débranchez la bouteille de propane de 1 lb du régulateur en tournant le cylindre dans le sens antihoraire à la main.

Après avoir terminé l'installation, L'essai d'étanchéité doit être effectué avant l'utilisation.

## Essai de fuite

- Ne pas fumer pendant l'essai de fuite.
- Ne pas utiliser une flamme nue pour vérifier les fuites de gaz.
- Le gril doit être testé à l'extérieur dans une zone bien aérée, à l'écart des sources d'inflammation telles que les appareils alimentés au gaz ou électriques. Pendant l'essai de fuite, gardez le gril loin des flammes ou des étincelles ouvertes.

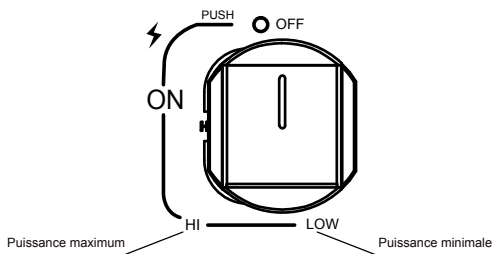
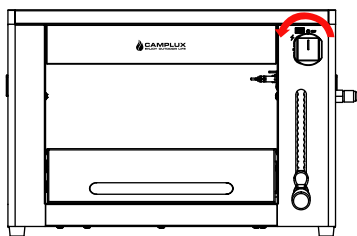


## Procédure d'essai

1. Préparer un pinceau propre et une solution d'eau et de savon doux 50/50.
2. Assurez-vous que la vanne est en position OFF.
3. Raccorder la bouteille de propane de 1 lb au connecteur du régulateur CGA 600 en tournant (**non inclus**) le cylindre dans le sens des aiguilles d'une montre à la main pour le serrer.
4. Brossez la solution savonneuse sur le raccordement de gaz tel que le cylindre de propane et le connecteur de CGA 600, bouton de commande de valve, QDD, Si il ya des bulles "de plus en plus", déconnectez le cylindre de propane en tournant dans le sens inverse des aiguilles d'une montre à la main, et remplacez l'ensemble régulateur de gaz.

## Instruction d'éclairage

**⚠ Remarque:** Veuillez ouvrir la soupape de pression de gaz de la bouteille de gaz de connexion avant les opérations d'allumage suivantes.



1. Lisez les instructions avant d'allumer l'appareil.
2. Assurez-vous que le bouton de commande est en position OFF.
3. Connectez le cylindre de propane de 1 lb au connecteur de régulateur en tournant le cylindre dans le sens des aiguilles d'une montre à la main à serré.
4. Poussez et tournez le bouton de commande dans le sens antihoraire en position "ON".
5. Si la veilleuse n'était pas allumée, essayez de pousser et de tourner le bouton de commande en position "ON" plusieurs fois.
6. Une fois que le pilote a été allumé, continuez à pousser le bouton de commande pendant 10 à 20 secondes.
7. Après que le pilote a été allumé, ajustez les brûleurs aux réglages de cuisson désirés.
8. Si l'appareil ne s'allume pas en 5 secondes, fermez le robinet du brûleur, attendez 5 minutes puis procédez de nouveau à l'allumage.

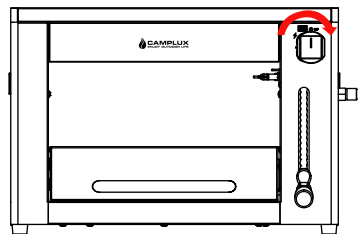


## Instruction d'éclairage de match

1. Lisez les instructions avant d'allumer l'appareil.
2. Assurez-vous que le bouton de commande est en position OFF.
3. Connectez le cylindre de propane de 1 lb au connecteur de régulateur en tournant le cylindre dans le sens des aiguilles d'une montre à la main à serré.
4. Placez un long briquet de grill allumé ou allumez par l'intermédiaire de la tige d'éclairage près du pilote.
5. Immédiatement pousser et tourner le bouton de commande dans le sens inverse des aiguilles d'une montre à la position du pilote.
6. Si le pilote n'a pas été allumé, essayez de pousser et d'allumer le bouton de commande pour piloter la position à plusieurs reprises.
7. Une fois que le pilote a été allumé, continuez à pousser le bouton de commande pendant 10 à 20 secondes.
8. Après que le pilote a été allumé, ajustez les brûleurs aux réglages de cuisson désirés.
9. Si l'appareil ne s'allume pas en 5 secondes, fermez le robinet du brûleur, attendez 5 minutes puis procédez de nouveau à l'allumage.

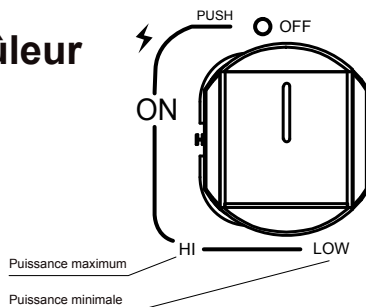
## Instruction d'arrêt

1. Tournez le bouton de commande dans le sens des aiguilles d'une montre jusqu'à la position "OFF".
2. Débranchez la bouteille de propane de 1 lb du régulateur en tournant le cylindre dans le sens antihoraire à la main, lorsque l'appareil n'est pas utilisé.



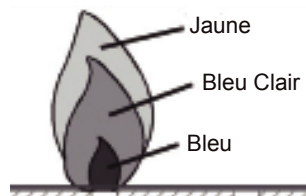
## Réglage de la puissance du brûleur

Vous pouvez choisir la puissance souhaitée après l'allumage du brûleur. La position "HI" correspond à la puissance maximale, la position "LOW" correspond à la puissance minimale.



## Entretien

- Éloignez la zone de l'appareil de tous matériaux combustibles, d'essence et d'autres vapeurs et liquides inflammables.
- N'obstruez pas le flux de combustion et de ventilation.
- Avant chaque utilisation, vérifiez/nettoyez toujours les tubes/le brûleur des insectes et des nids d'insectes. Un tube bouché peut provoquer un incendie sous les appareils.
- Pour réduire le risque d'incendie de friture, nettoyez toujours le plateau et enlevez toute trace de friture à l'intérieur du barbecue avec de l'eau chaude savonneuse. L'extérieur des appareils peut également être nettoyé avec de l'eau chaude savonneuse.
- Utilisez une brosse à barbecue en laiton pour frotter les grilles de cuisson en acier inoxydable, et non une brosse à poils de fil en acier.
- Vérifiez visuellement les flammes, Le modèle de la flamme adéquate est indiqué ci-dessous



## Dépannage

Problème	Causes possibles	Solution
Brûleur ne pouvait pas allumer	Le régulateur est défectueux	Faire vérifier ou remplacer le régulateur
	Le brûleur est bouché	Nettoyer le brûleur
	L'arrivée de gaz est bouchée	Nettoyez l'orifice
	L'électrode ou le circuit d'allumage sont endommagés ou défectueux	Changer l'électrode et le circuit d'allumage
	La bouteille de gaz est vide	Utilisez un nouveau cylindre LP
Flamme éteinte lors de la libération de la valve	Valve de sécurité/thermocouple défectueux	Remplacer la soupape de sécurité/thermocouple
	Thermocouple lâche de la soupape de sécurité	Thermocouple et soupape de sécurité re-assey
Basse flamme	Le brûleur est bouché	Nettoyer le brûleur
	L'arrivée de gaz est bouchée	Nettoyez l'orifice



