



UNDER CABINET RANGE HOOD

Live Smart, Better Life!

UCPS75 & UCPB75

Instruction / Installation Manual

☎ 1 (844) 334-4203

🌐 www.thermomate.com

✉ support@thermomate.com

📍 3330-A Marathon Ct Charleston, SC 29418

Contents

Live Smart, Better Life!

Important Safety Instructions Aluminum Filters..... 02

Aluminum Filters..... 04

Accessories..... 04

Installation Requirments..... 05

Installation Diagram For External Venting..... 07

Wiring Diagram..... 07

Operation Instructions..... 12

Troubleshooting..... 14



📞 1(844) 334-4203

✉ support@thermomate.com

Important Safety Instructions Aluminum Filters

Read all instructions before using this appliance. Save these instructions for future reference. Approved for residential appliances. For residential use only.



Caution

For general ventilating use only. Do not use to exhaust hazardous or explosive materials or vapors.



Caution

To reduce the risk of fire and to properly exhaust air, do not vent exhaust air into spaces within walls, ceilings, attics, crawl spaces, or garages.



Warning

TO REDUCE THE RISK OF FIRE, USE ONLY METAL DUCT WORK. Install this hood in accordance with all requirements specified.



Warning

TO REDUCE THE RISK OF FIRE, ELECTRIC SHOCK, OR INJURY TO PERSONS, OBSERVE THE FOLLOWING:

1. Use this unit only in the manner intended by the manufacturer. If you have questions, contact the manufacturer.
2. Before servicing or cleaning the unit, switch power off at the service panel and lock service panel disconnecting means to prevent power from being switched on accidentally. When the service disconnecting means cannot be locked, securely fasten a prominent warning device, such as a tag, to the service panel.
3. Installation work and electrical wiring must be done by qualified person(s) in accordance with all applicable codes and standards, including fire-rated construction.
4. Sufficient air is needed for proper combustion and exhausting of gases through the flue (Chimney) of fuel burning equipment to prevent back-drafting. Follow the heating equipment manufacturer's guideline and safety standards such as those published by the National Fire Protection Association (NFPA), the American Society for Heating, Refrigeration and Air Conditioning Engineers (ASHRAE), and the local code authorities.
5. When cutting or drilling into wall or ceiling, do not damage electrical wiring and other hidden utilities.
6. Ducted systems must always be vented to the outdoors.



Warning

Disconnect the appliance from the power source before servicing.



Warning

GROUNDING INSTRUCTIONS. This appliance must be grounded. In the event of an electrical short circuit, grounding reduces the risk of electric shock by providing an escape wire for the electric current.

WARNING - IMPROPER GROUNDING CAN RESULT IN A RISK OF ELECTRIC SHOCK. Consult a qualified electrician if the grounding instructions are not completely understood, or if doubt exists as to whether the appliance is properly grounded.



Warning

TO REDUCE THE RISK OF INJURY TO PERSONS, IN THE EVENT OF A RANGE TOP GREASE FIRE, OBSERVE THE FOLLOWING:

- **SMOTHER FLAMES** with a close-fitting lid, cookie sheet, or metal tray, then turn off the burner. **BE CAREFUL TO PREVENT BURNS.** If the flames do not go out immediately, **EVACUATE AND CALL THE FIRE DEPARTMENT.**
- **NEVER PICK UP A FLAMING PAN** – You may be burned.
- **DO NOT USE WATER**, including wet dishcloths or towels - a violent steam explosion will result.
- Use an extinguisher **ONLY** if:
 1. You know you have a Class ABC extinguisher, and you already know how to operate it.
 2. The fire is small and contained in the area where it started.
 3. The fire department is being called.
 4. You can fight the fire with your back to an exit Always leave safety grills and filters in place. Without these components, operating blowers could catch onto hair, fingers and loose clothing. The manufacturer declines all responsibility in the event of failure to observe the instructions given here for installation, maintenance and suitable use of the product. The manufacturer further declines all responsibility for injury due to negligence and the warranty of the unit automatically expires due to improper maintenance.



Warning

WARNING – TO REDUCE THE RISK OF A RANGE TOP GREASE FIRE:

- A. Never leave surface units unattended at high settings. Boilovers cause smoking and greasy spillovers that may ignite. Heat oils slowly on low or medium settings.



- B. Always turn hood ON when cooking at high heat or when flaming food (i.e. Crepes Suzette, Cherries Jubilee, Peppercorn Beef Flambe).
- C. Clean ventilating fans frequently. Grease should not be allowed to accumulate on fan or filter.
- D. Use proper pan size. Always use cookware appropriate for the size of the surface element.

Aluminum Filters

About Your New Filters

Aluminum filters are recommended to be replaced every 4-6 months, depending on usage.

Cleaning My Aluminum Filters

Your filters can be hand washed and cleaned to increase time between replacements. Aluminum filters should not be placed in the dishwasher.

Accessories

Range Hood Accessories Provided:

- 1 x Range hood
- 4 x ST4 0.63inch
- 4 x ST4 1.38inch
- 4 x M5Φ 0.2inch Washers
- 4 x Plastic wall anchors
- 4 x ST4 0.31inch
- 2 x Filters
- 1 x Ducting outlet
- 1 x User manual

Check to make sure that all parts and accessories are present and in good condition.



Installation Requirements

General Preparation

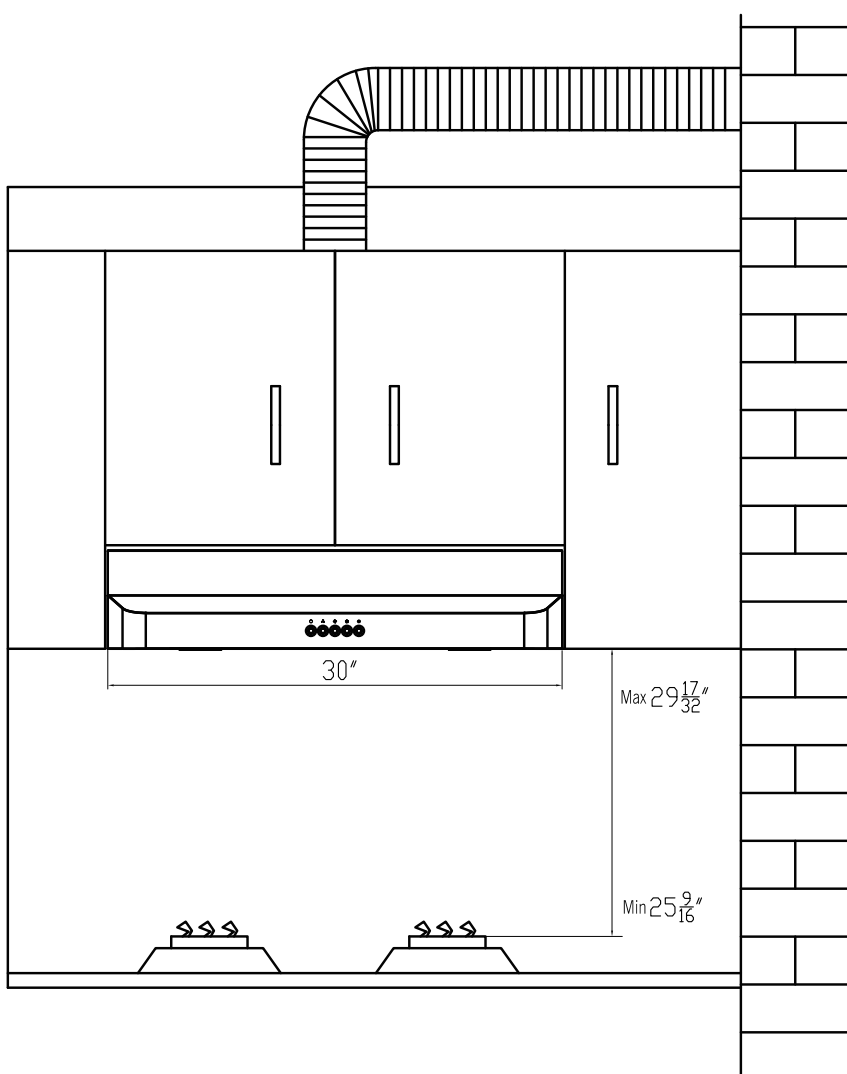
- *Remove range hood from packaging and lay upside down on a table covered with cardboard or paper to prevent scratching of the hood or table.
- *Check the power switch is set to OFF. Tools needed for installation:
 - *Drill
 - *Wood bit or drilling electrical wiring access hole
 - *Phillips head screwdriver
 - *Flat-head screwdriver
 - *Pencil, ruler, and level for marking range hood location
 - *Hand saw or jig saw for cutting the wall or cabinet openings
 - *Duct Tape
 - *Electrical tape

Warning

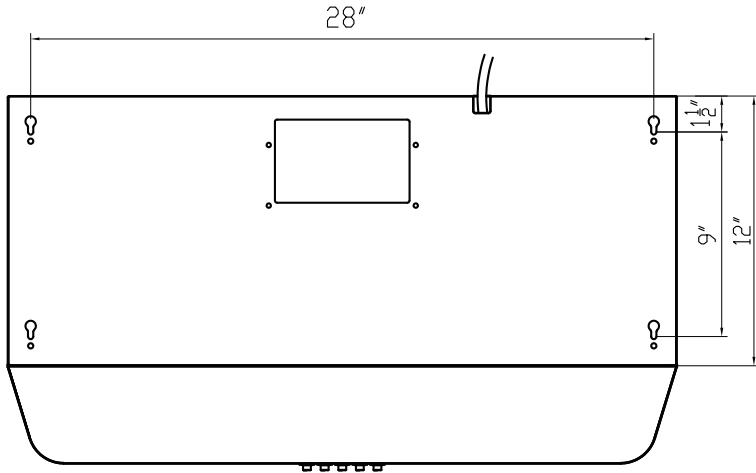
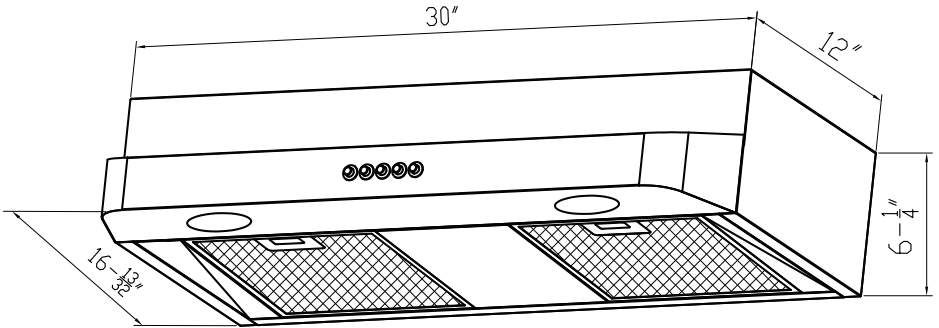
All electrical connections must be in accordance with local codes, ordinances, or national electrical codes. If you are unfamiliar with methods of installing electrical wiring, secure the services of a qualified electrician.



This range hood vented from top side. Follow the cooking equipment manufacturer's guideline and safety standards such as those published by the National Fire Protection Association(NFPA), the American Society for Heating, Refrigeration and Air Conditioning Engineers(ASHRAE), and local code. When cutting or drilling into wall or ceiling, do not damage electrical wiring and other hidden utilities, Ducted systems must always be vented outdoors.



Installation Diagram For External Venting

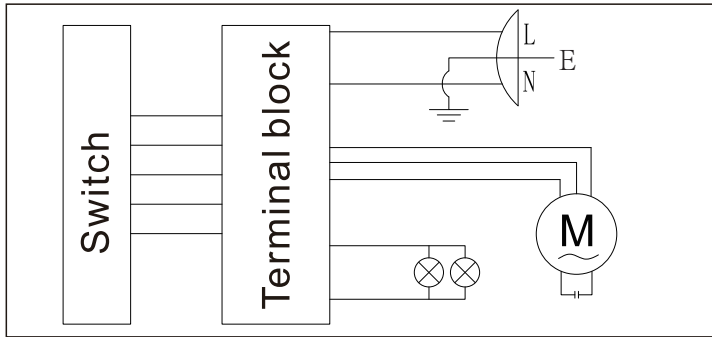


Wiring Diagram

Caution!

Shut-off power supply before installing. Installation work and electrical wiring must be done by qualified person(s) in accordance with all applicable codes & standards, including fire-rated construction.





Caution!

Hood may have very sharp edges, please wear protective gloves whenever it is necessary to remove any parts for installing, cleaning or servicing.

This range hood has two ways for installation.

Method 1: Mounting to the wall only.

1. Drill two 0.31inch holes in position for plastic wall anchor placement. (Fig.1).
2. Tap plastic wall anchors securely into each of the drilled holes. (Fig.1).
3. After wall anchors have been tapped in place, insert ST4x1.38inch wood screws to the top two wall anchors and tighten two screws. (Fig.1)

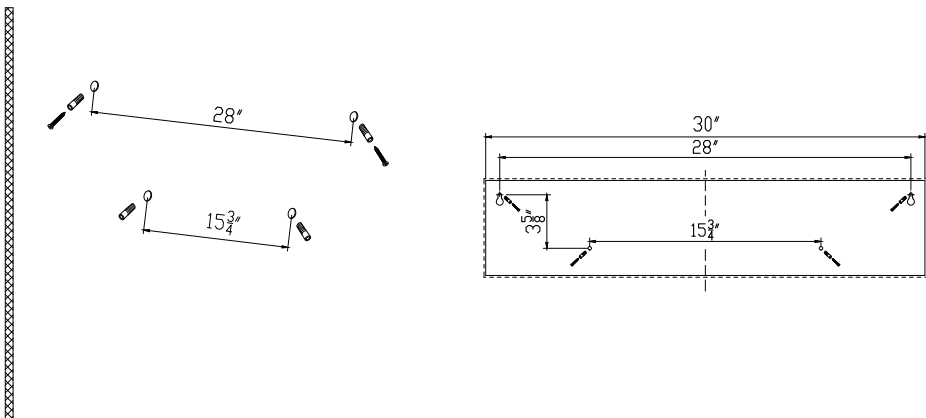


Fig.1

4. Take out the outlet from the cooker hood inside. To use 4pcs ST4x0.31inch screw to install the outlet. (Fig.2)

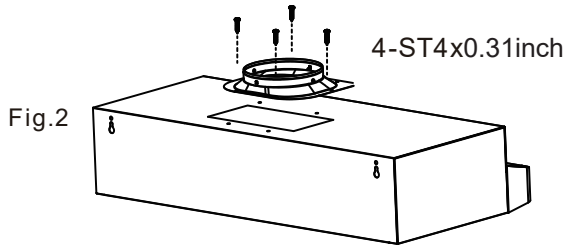


Fig.2

5. Take the hood unit along with the 6" Round aluminum duct or the damper at the top of the hood unit using HVAC aluminum foil tape. (Fig.3)

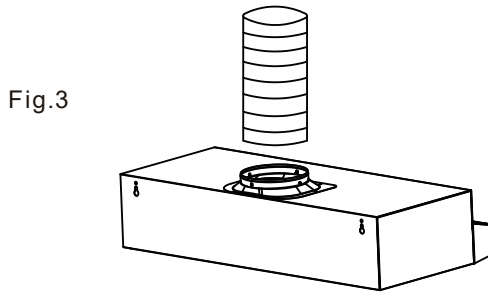


Fig.3

6. Lift the hood and hang the hood unit on the back wall using screws drilled in the wall. Once the hood is securely hung on the wall, tighten the screws from the interior of the hood after removing the filters. (Fig.4)

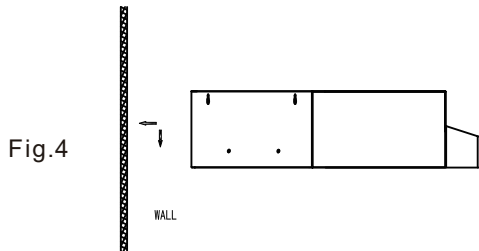
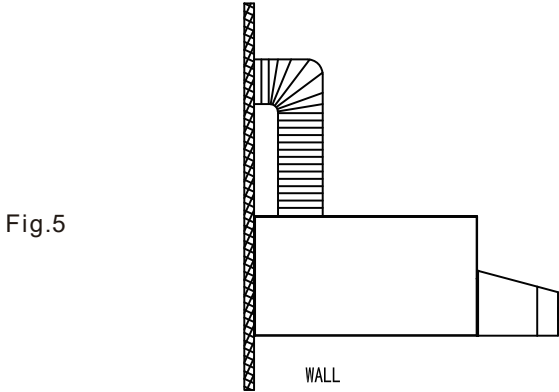


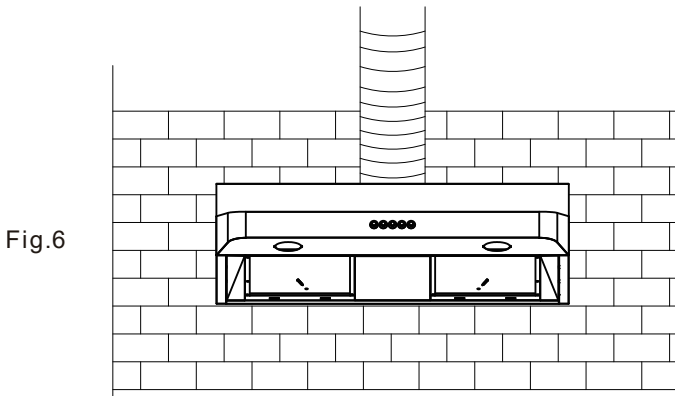
Fig.4



7. Pull adapter/ductwork through the newly drilled hole in the wall. Connect unit to power source. (Fig.5)

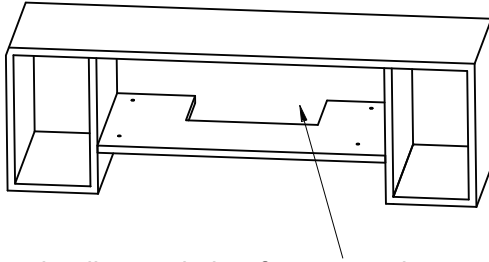


8. Remove the filters and insert two ST4x1.38inch wood screws to the rest of two wall anchors and tighten two screws. (Fig.6)



Method 2: Mounting to the cabinet.

To install the hood with a duct, you will need to provide a hole for the duct. Please use the template provided to correctly place the hole. (Fig.7)



Use the diagram below for correct placement of ductwork and electrical cutout in the cabinets.

3. Pull the round duct through the bottom of the new cabinet hole.
4. Pull the electrical cord through the bottom of the new cabinet hole.
5. Remove the filters and lift the hood and hang the hood unit on the bottom of the cabinet. And using 4pcs ST4x0.63inch self-tapping screw to drill in the cabinet plate. (Fig.7)

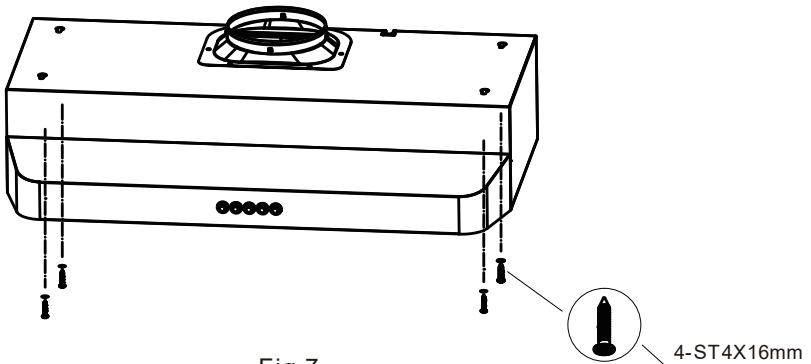
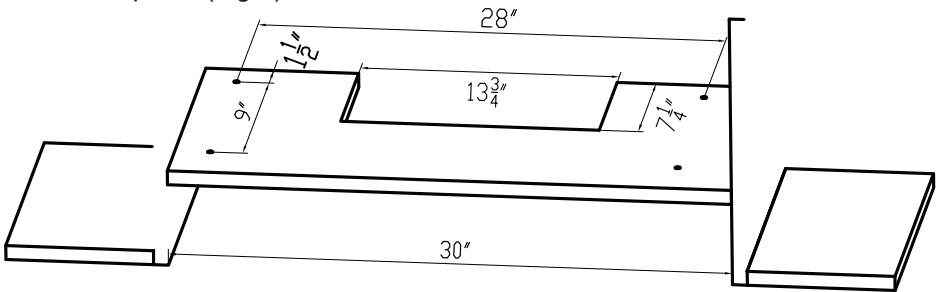
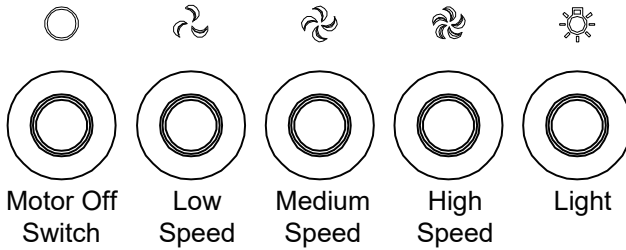







Fig.7



Operation Instructions



 Light	Press this button to turn on the lights, and press again to turn them off.
 Low Speed	Press this button to run the motor at low speed.
 Medium Speed	Press this button to run the motor at medium speed.
 High Speed	Press this button to run the motor at high speed.
 Motor Off Switch	Press this button to stop the motor while it is running at any given speed.

Caution:

never put your hand inside of the unit while it is operating. For the best performance clean your range hood regularly.



Cleaning

1. Use only mild soap or cleaning solutions to clean the hood's outer surface. Dry surfaces using a soft cloth.
2. Stainless Steel cleaner may be used on the external surface.
3. Clean the Range Hood motor assembly every 1 to 3 months depending on use.
4. DO NOT clean the motor or electrical components with water or any other liquid.

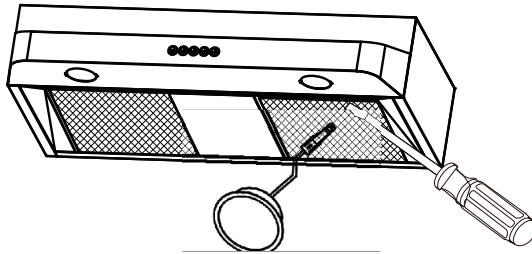
Lamp Replacement

Always switch off the power supply before working on the device. When handling the lamp, make sure that it has cooled down completely before you come into direct contact with your hands.

1. Before changing the lighting, make sure that the device is switched off and disconnected from the power supply.
2. Protect yourself from dangers when you change the LED module, e.g. with gloves.

Chang The Lamp

1. Using a screwdriver, gently lever the lamp out of the hood housing and remove it by turning it slightly counterclockwise.
2. Disconnect the lamp cable from the connector of the connection cable in the hood.
3. Connect the lamp cable of the new light with the plug connection of the connection cable in the hood.
4. Press the lamp lightly into the hood housing and fix it by turning it slightly clockwise.
5. Dispose of the old lamp at an electronic waste disposal point.



Troubleshooting

Caution:

Always disconnect unit from power before.

Problem	Solution	Tools
My range hood is noisy.	A. Check inside the range hood for any loose debris and remove.	Phillips screwdriver gloves.
My range hood has poor performance.	A. The range hood and cooktop are too far away from each other. Optimal distance is 24 inch to 30 inch. B. There are too many open windows or doors in the area. Close some doors or windows. C. The motor performance has decreased due to wear. Replace motor. D. Check and make sure the tape holding down the damper flaps at the vent hole are removed before use.	Phillips screwdriver gloves.
My range hood shakes.	A. The installation is not secure. Check again and make sure the installation hardware is securely mounted. B. The fan is broken or not balanced. Realign or replace fan. C. The motor is loose. Check and make sure the motor is solidly mounted to the unit.	Phillips screwdriver gloves.
The motor no longer runs.	A. Replace control panel or circuit board. B. Replace with new motor assembly.	Phillips screwdriver nose pliers gloves.
Light bulb went out.	A. Replace with a new LED light 1 watt max.	Gloves

☎ 1 (844) 334-4203

🌐 www.thermomate.com

✉ support@thermomate.com

📍 3330-A Marathon Ct Charleston, SC 29418

