



Outdoor Stainless Steel Fire Pit

Live Smart, Better Life!

SSFP170

Instructions / Installation Manual

© www.thermomate.com

✉ support@thermomate.com

📍 3330-A Marathon Ct Charleston, SC 29418

Table of Contents

Important Safety Instructions..... 02

Parts 03

Assembly Instructions..... 04

Use Instructions..... 04

Maintenance..... 05

Limited Warranty..... 06



Important Safety Instruction

Read and understand this entire manual before attempting to assemble, operate or install this product. Failure to follow instructions in this manual could cause property damage, personal injury or death. Save these instructions for future reference.



Warnings

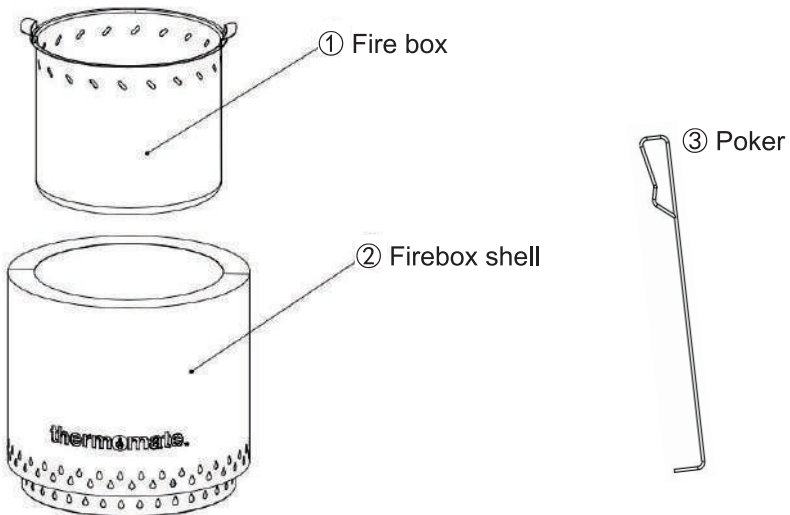
1. This fire pit is for outdoor use only, and shall NOT be used in a building, garage, vehicles, tents, or any other enclosed unventilated areas.
2. This outdoor fire pit is NOT for commercial use.
3. This fire pit must be used in accordance with all applicable local, state and national codes. Contact your local fire department for details on outdoor burning.
4. Do not use this fire pit for indoor heating. Toxic carbon monoxide can accumulate and cause asphyxiation and possibly death.
5. There must be a minimum of 98 inches (2.5m) clearance from this fire pit to any combustible materials.
6. This fire pit will be extremely hot when in use. Never attempt to touch or move it during use or before it has completely cooled down. Alert children and adults to the hazards of high surface temperatures. Stay away from these surfaces to avoid burning skin.
7. It is recommended to use a poker, heat-resistant barbecue mitts or gloves when using the fire pit. Do not use accessories not specified for use with this unit. Do not put a cover or anything flammable on the unit while in use. Ensure the fire pit have cooled before placing a cover over top. Do not place the fire pit under overhead combustible ceiling, overhang, or canopy of trees.
8. Do not place the fire pit under overhead combustible ceiling, overhang, or canopy of trees.
9. Do not position on combustible floors, or floors protected with combustible surfaces.
10. This fire pit is NOT to be operated by children. Carefully supervise young children when in the vicinity of the fire pit.
11. Never leave the fire unattended, especially when children and pets are nearby.
12. Do not store or use gasoline or any other flammable vapors or liquids in the vicinity of this fire pit.
13. Do not use gasoline, kerosene, diesel fuel, lighter fluid, alcohol or any other flammable liquid for lighting or refreshing the fire in this fire pit
14. Do NOT attempt to move or store this outdoor fire pit until all ashes and coals are completely extinguished and the fire pit is completely cool

15. Do not alter or modify this fire pit in any manner. Failure to follow this warning could lead to a fire hazard and/or bodily harm, and will void your warranty.
16. This fire pit should be thoroughly inspected and cleaned on a regular basis
17. After a period of non-use, check the fire pit for foreign objects, and any air blockage around the fan intake holes. If the fire pit is stored outside during the rainy season or seasons of high humidity, wood pellets will expand greatly, decompose, and may jam the airflow system.
18. This fire pit is designed and approved for wood fuel only and may not function properly with other fuel sources.
19. As there is no control over the quality of wood pellets used, we assume no responsibility to damages caused by poor quality of fuel.
20. Exercise the same precautions you would with any other open fire when using this fire pit.

Carbon Monoxide Hazard

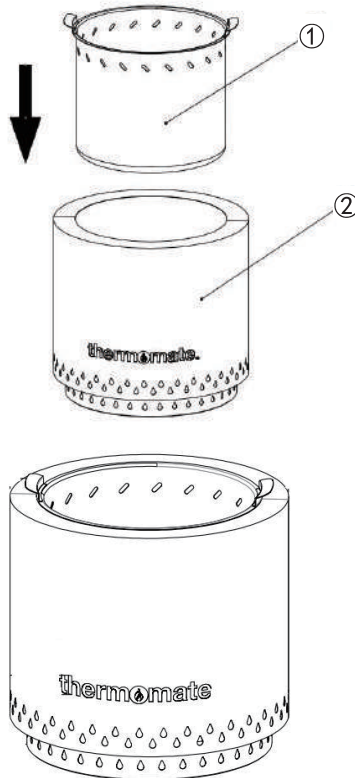
This unit can produce carbon monoxide which has no odor. Using it in an enclosed space can kill you. Never use this unit in an enclosed space such as a camper, tent or home.

Parts



Assembly Instructions

Unpack the unit and parts by removing all packaging materials. Before assembly, review all parts and reference the parts list. If any part is missing or damaged, do not attempt to assemble.



Use Instructions

Lighting

1. Stack hardwood pellets, firewood logs or wood chunks tightly inside the fire box.
2. Do Not overfill the fire box with wood fuels that cover or extend above the top air holes, otherwise will decrease efficiency and will produce more smoke.

3. Insert lighter gel, liquid fire starter, or apply lighter-fluid to multiple areas of the logs.
4. Use either a long handled lighter or match to light your fire.

Warning: Do not use charcoal, gasoline, kerosene, diesel fuel, lighter fluid, alcohol or any other flammable to light or relight your fire pit. This could cause serious injury.

Tending the Fire

Gently add more logs as needed to the inner Firebox while the fire is still burning.

Caution: During use, this unit can reach extreme temperatures that can cause serious injury. It is recommended to use a heat-resistant barbecue mitts or gloves when adding fuel to avoid injury.

Extinguishing the Fire

To extinguish the fire, allow all fuel to burn out.

Caution: Do not use water to put out the Fire pit. This can be harmful to the structure of the fire pit and heavily decrease its lifetime.

Transport and Storage

Important: Do not attempt to move or store this fire pit until all fire, coals, and ashes are completely extinguished and the fire pit has completely cooled. Ensure the ash in the bottom of the unit is also removed.

Store this fire pit in a cool and dry location. Prolonged exposure to harsh weather will increase rust and discoloration.

Maintenance

1. After each use, wait until the fire pit has completely cooled down then empty the fire pit. This will avoid any hard build-up of debris or ash in the bottom.
2. Due to extremely high temperatures, the bottom of the Firebox may discolor. This is a normal occurrence and should not be considered a defect of the product.
3. Wipe down the fire pit shell as needed. Ensure the fire pit is completely cool prior to cleaning.




Limited Warranty

thermomate warrants this fire pit to be free of defects in material and/or workmanship for a period of one (1) year commencing on the original date of purchase, for the length of use and ownership of the original purchaser. Proof of date of purchase, or copy of original bill of sale, is required to validate the warranty. During this 1 year limited warranty period, thermomate will at our option, at no charge to the customer, repair or replace this product if found by thermomate to be defective upon examination, with a new or reconditioned product. thermomate shall not be liable for transportation charges, labor costs, or export duties. Warranty does not cover damage from wear and tear, such as scratches, dents, dings, chips or minor cosmetic cracks. These aesthetic changes of the fire pit do not affect its performance. thermomate takes every precaution to utilize materials that resist rust. Even with these safeguards, the protective coatings can be compromised by various substances and conditions beyond our control. For these reasons, the warranty does not cover rust or oxidization, unless there is loss of structural integrity on the fire pit.

thermomate shall not be liable under this or any implied warranty for incidental or consequential damages to the property or persons resulting from the use of this product. thermomate liability is limited to the purchase price of the product only. This warranty is based on normal domestic use and shall not apply for a fire pit which is used in commercial applications. Warranty services provided shall neither prolong the warranty period nor initiate a new warranty period. All return goods must be shipped with transportation charges prepaid.



 Warning: Use of this product can expose you to chemicals including wood dust, which is known to the state of California to cause cancer. Combustion of this product can expose you to chemicals including carbon monoxide, which is known to the state of California to cause birth defects or other reproductive harm. For more information go to www.P65Warnings.ca.gov

 www.thermomate.com

 support@thermomate.com

 3330-A Marathon Ct Charleston, SC 29418

