



Tabletop Gas Pizza Oven

Installation Instructions

Available Model


PZ101S



1 (844) 538-7890

 www.gaslandchef.com

 support@gaslandchef.com

 3330-A Marathon Ct Charleston, SC 29418

Contents

02	Warning
03-04	For Your Safety
05	Explosive View
06-08	Assembly Instructions
09	Connecting/Disconnecting LP Gas Cylinder
09	Leakage Test
10	Lighting Instruction
11	Shutdown Instruction
11	Maintenance Instruction
12	Troubleshooting
12-13	Warranty





⚠ Danger

If you smell gas:

- Shut off gas to the appliance.
- Extinguish any open flame.
- Open lid.
- If odor continues, keep away from the appliance and immediately call your fire department.

Failure to follow these instructions could result in fire or explosion which could cause property damage, personal injury or death.

⚠ Danger

- Never operate this appliance unattended.
- Never operate this appliance within 10 ft (3.0 m) of any structure, combustible material or other gas cylinder.
- Never operate this appliance within 25 ft (7.5 m) of any flammable liquid.
- If a fire should occur, keep away from the appliance and immediately call your fire department. Do not attempt to extinguish an oil or a grease fire with water.

This instruction manual contains important information necessary for the proper assembly and safe use of the appliance.

Read and follow all warnings and instructions before assembling and using the appliance.

Follow all warnings and instructions when using the appliance.

Keep this manual for future reference.



For Your Safety

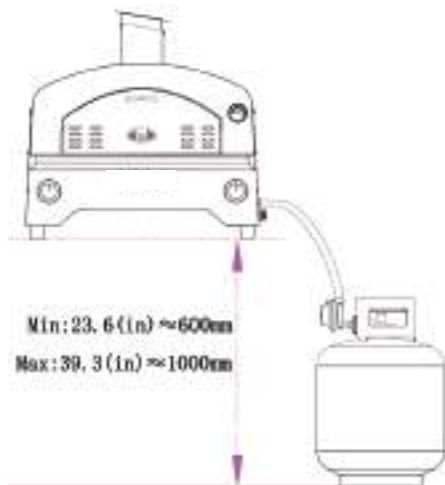
FOR OUTDOOR USE ONLY!

Never use this appliance in a building, garage or any other enclosed area. This appliance is not intended to be installed in or on a boat or recreational vehicle.

The appliance is not intended for commercial use.

This appliance is for use with liquid propane (LP) gas only. The conversion to or attempted use of natural gas in this appliance is dangerous and will void your warranty.

Clean and inspect the hose before each use of the appliance. If there is evidence of abrasion, wear, cuts, or leaks, the hose must be replaced prior to the appliance being put into operation. The replacement hose assembly shall be that specified by the manufacturer.



Minimum clearance from sides and back of unit to combustible construction, 24" from sides and 24" from back.

Do not use this appliance under overhead combustible surfaces. Place and use the appliance at a tabletop with a height: Min. 23.6" (600mm), Max. 39.3" (1,000mm). Place and use max. 20 lb LP gas supply cylinder at the side of the appliance, which neither cause high tension to the hose, nor possible cause tripping hazard.

Caution: Keep the fuel supply hose away from any heated surface(s).

⚠ Caution: The gas pressure regulator provided with this appliance must be used. Replace only with gas pressure regulator that specified by the manufacturer.

The LP gas supply cylinder to be used must be constructed and marked in accordance with the specifications for LP gas cylinders, U.S. Department of Transportation (DOT) or the Standard for Cylinders, Spheres and Tubes for the Transportation of Dangerous Goods, CAN/CSA-B339.



Use only max 20 lb LP gas supply cylinder.
20 lb LP gas supply cylinder: 18-1/4"(45.6 cm) high,
12-1/4"(32 cm) diameter.

LP gas supply cylinder must be placed in upright position
for vapor withdrawal.

- a) do not store a spare LP gas cylinder under or near this
appliance;
- b) never fill the cylinder beyond 80 percent full;
- c) if the instructions in (a) and (b) above are not followed exactly, a fire causing
death or serious injury may occur.



If the appliance is not in use, the gas must be turned off at the supply cylinder.
Storage of an appliance indoors is permissible only if the cylinder is disconnected
and removed from the appliance.

Cylinders must be stored outdoors out of the reach of children and shall not be
stored in a building, garage, or any other enclosed area.

Place dust cap on cylinder valve outlet whenever the cylinder is not in use. Only
install the type of dust cap on the cylinder valve outlet that is provided with the
cylinder valve. Other types of caps or plugs may result in leakage of propane.

Warning:

The use of alcohol, prescription or non-prescription drugs may impair the consum-
er's ability to properly assemble or safely operate the appliance.

Do not leave the appliance unattended. Keep children and pets away from the
appliance at all times.

Do not move the appliance when in use.

This appliance is not intended for and should never be used as a heater.

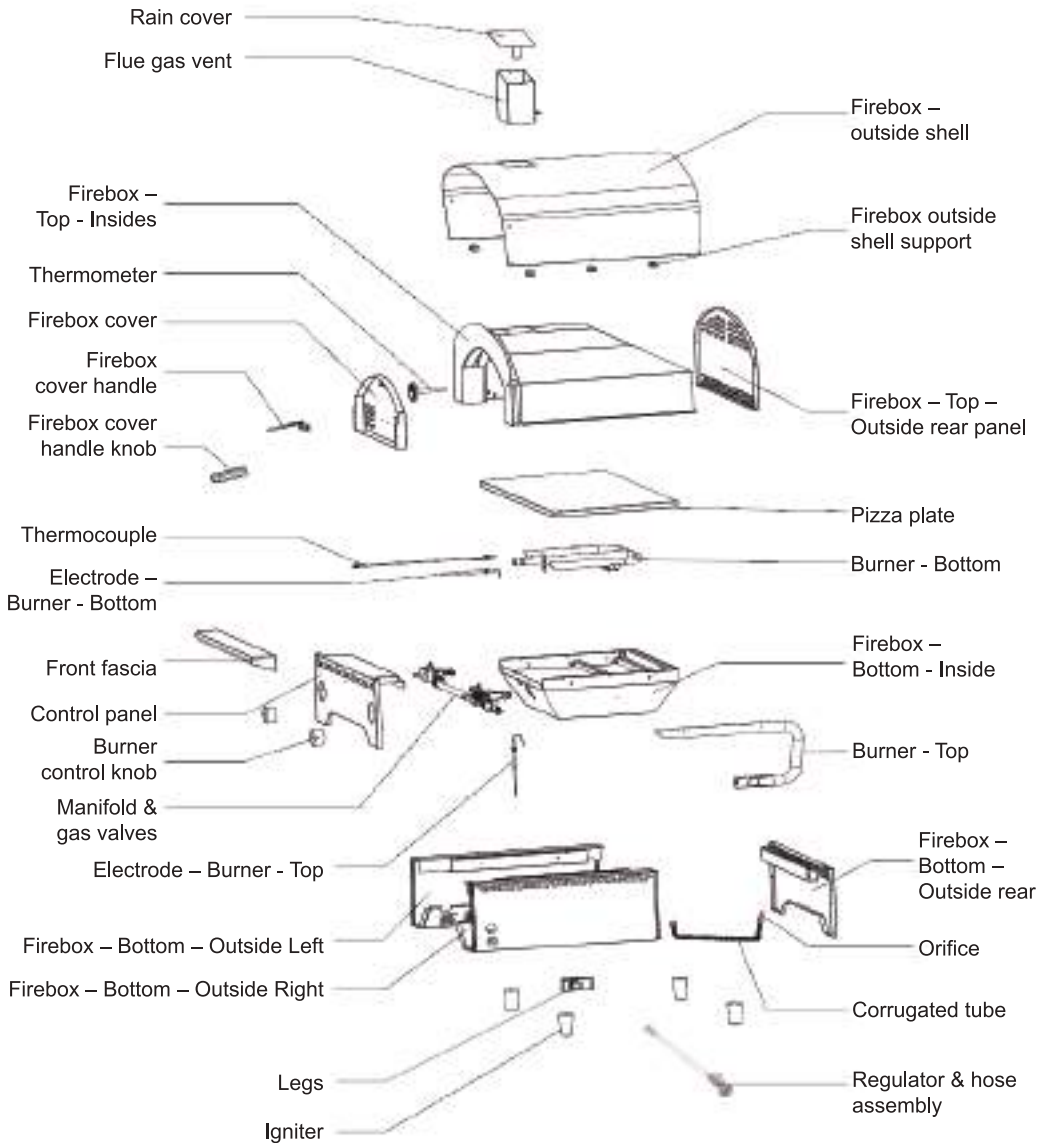
This appliance will be hot during and after use. Use insulated oven mitts or gloves
for protection from hot surfaces or splatter from cooking liquids.

California Proposition 65

Fuels used in gas or oil fired appliances and the products of combustion of
such fuels contain chemicals known to the State of California to cause cancer,
birth defects or other reproductive harm. This product contains chemicals,
including lead and lead compounds, known to the State of California to cause
cancer, birth defects or other reproductive harm.



Explosive View



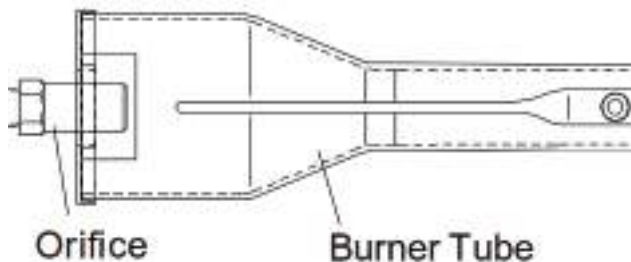
Please contact the manufacturer or dealer to obtain replacement parts.



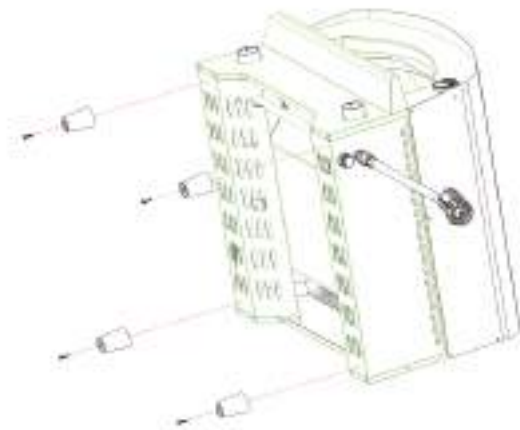
Assembly Instructions

The installation must conform with local codes or, in the absence of local codes, with the National Fuel Gas Code, ANSI Z223.1/NFPA 54, Storage and Handling of Liquefied Petroleum Gases, ANSI/NFPA 58; or Natural Gas and Propane Installation Code, CSAB149.1; Propane Storage and Handling, CSA B149.2.

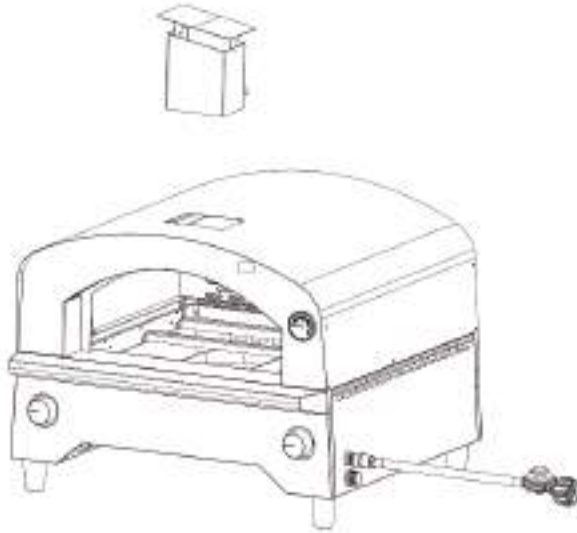
STEP 1: Remove all parts from the carton and lay them out on a smooth, clean surface. Verify all parts are included and without damage.
Importance: The orifice shall be properly located in the burner.



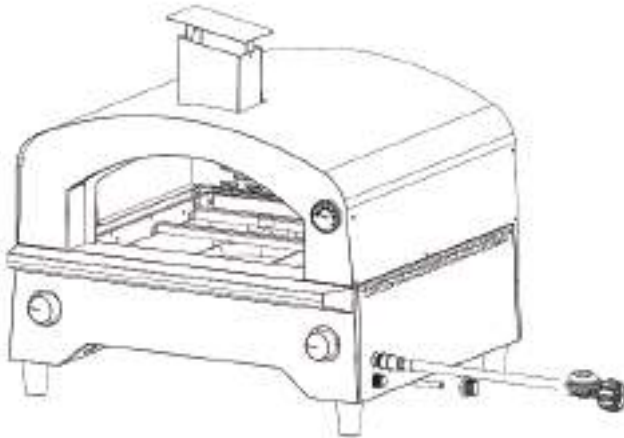
STEP 2: Install legs.



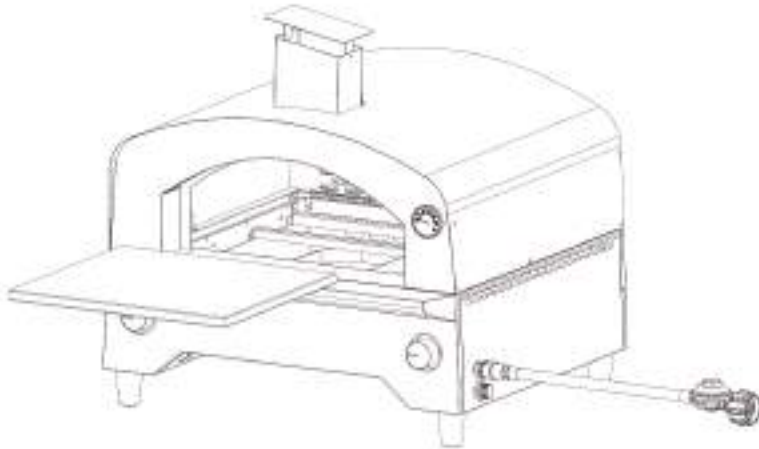
STEP 3: Install flue gas vent.



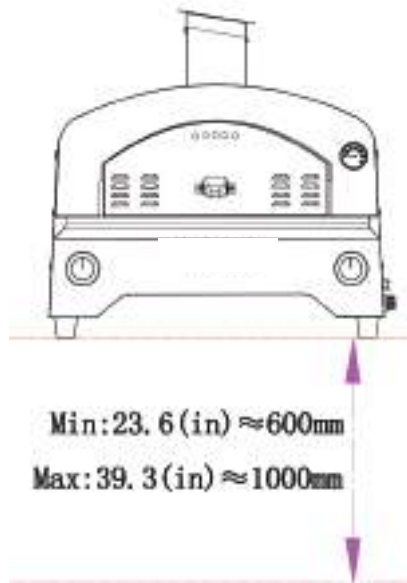
STEP 4: Turn igniter cap COUNTERCLOCKWISE to remove. Insert one pcs of AA battery and make sure the battery positive outward. Place the igniter cap back.



STEP 5: Place the pizza plate.



STEP 6: Place the appliance at a tabletop with a height: Min. 23.6"(600 mm),
Max. 39.3"(1,000 mm).



Connecting LP Gas Cylinder

1. Turn the burner control knob to “OFF” position.
2. Remove the protective cap from LP gas cylinder valve.
3. Make sure the cylinder valve will properly and safely mate with the pressure regulator.
4. Hold regulator and insert nipple into LP gas cylinder valve. Be sure the nipple is centered in the valve outlet.
5. Hand-tighten the coupling nut clockwise until it comes to a full stop. Firmly tighten by hand only. Do not use tools.
6. Place LP gas cylinder at the side of the appliance which neither cause high tension to the hose, nor possible cause tripping hazard. Keep the hose away from any heated surface(s).



Disconnecting LP Gas Cylinder

1. Turn the burner control knob to “OFF” position.
2. Turn the knob at the LP cylinder CLOCKWISE to the OFF position.
3. Turning the coupling nut counterclockwise until the regulator assembly detaches.

After completed of installation, Leakage test shall be conducted before used.

Leakage Test

- Do not smoke during leak test.
- Do not use an open flame to check for gas leaks.
- The appliance must be leak tested outdoors in a well-ventilated area, away from ignition sources such as gas fired or electrical appliances. During leak test, keep the appliance away from open flames or sparks.

Test procedure:

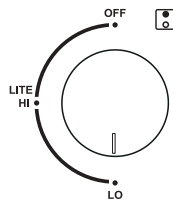
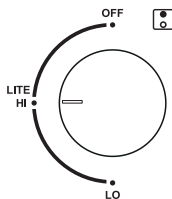
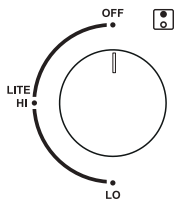
1. Prepare a clean paintbrush and a 50/50 mild soap and water solution.
2. Turn the burner control knobs to OFF position.
3. Be sure the appliance regulator is connected to the propane cylinder tightly.
4. Turn valve on propane cylinder COUNTERCLOCKWISE.



- Brush soapy solution onto all gas carrying connections and fittings, if bubbles appear, there is a leak. If a leak is found, turn off the gas supply, and re-connect the leaking connection.
- If the leak persists after several tries, contact GASLAND customer service 1(844)-538-7890.

Lighting Instruction

- Read Instruction before lighting.
- Make sure control knob is in OFF position.
- Open cover during lighting.
- Turn valve on propane cylinder COUNTERCLOCKWISE until fully open.
- Push in the control knob and turn COUNTERCLOCKWISE to LITE position.
- If ignition does not occur in 5 seconds, turn the burner control(s) off, wait five (5) minutes, and repeat the lighting procedure.
- When the burner stays lit, turn the control knob to the desired setting.
- Adjust burners to desired cooking settings via turning control knob from High to Low position.



Match lighting instruction:

- Read Instruction before lighting.
- Make sure control knob is in OFF position.
- Open cover during lighting.
- Open LP gas cylinder valve by turning counterclockwise.
- Place a long lit grill lighter or match at least 3 inches long near burner ports through gap of cooking grate.
- Push and turn on control knob counterclockwise to LITE position.
- If ignition does not occur in 5 seconds, turn the burner control(s) off, wait 5 minutes, and repeat the lighting procedure.
- After burner was lit, continue to push the control knob for 10~20 seconds.
- Adjust burners to desired cooking settings by control knob from High to Low position.

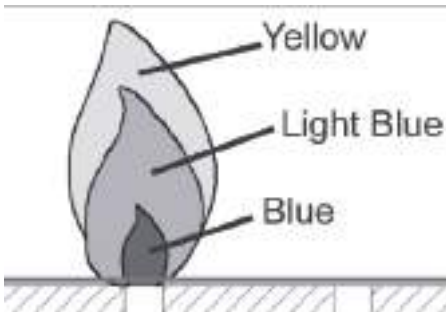


Shutdown Instruction:

1. Turn control knob CLOCKWISE to "OFF" position
2. Turn the knob at the LP cylinder CLOCKWISE to the OFF position.

Maintenance Instruction

- Keep appliance area clear and free of any combustible materials, gasoline and other flammable vapors and liquids.
- Not obstructing the flow of combustion and ventilation air.
- Checking and cleaning burner/venturi tubes for insects and insect nests. A clogged tube can lead to a fire beneath the appliance.
- To reduce the risk of grease fire, always clean the drip tray and remove any grease from the inside of the appliance using warm soapy water. The outside of the appliances can also be wiped down with warm soapy water.
- Use a brass bristled barbecue brush to scrub the stainless steel cooking grates, not a steel bristled wire brush.
- Visually checking burner flames, flame should be a blue with yellow tipping.



Troubleshooting

Problem	Possible Cause	Solution
Burner could not light	Faulty regulator	Have the regulator checked or replaced
	Obstructions in the burner	Clean burner
	Obstructions in gas orifice	Clean orifice
	Electrode is damaged/faulty igniter	Change electrode and wire
	Faulty igniter	Change battery or igniter
	Empty LP gas cylinder	Use a new LP gas cylinder
Low flame	Obstructions in the burner	Clean burner
	Obstructions in gas orifice	Clean orifice

Limited Warranty

Gasland warrants this pizza oven to the original retail purchaser only, to be free from defects in material and workmanship for a period of one (1) year from the date of initial purchase. This product must be properly installed, maintained and operated in accordance with the instructions provided.

Gasland requires reasonable proof of your date of purchase from an authorized retailer or distributor. Therefore, you should keep your sales slip, invoice or cancelled check from the original purchase.

This Limited Warranty shall be limited to the repair or replacement of parts, which prove defective under normal use and service within the warranty period, and which Gasland shall determine at its reasonable discretion.

This warranty does not apply to products purchased for rental use.



This Limited Warranty does not cover any failures or operating difficulties due to normal wear and tear, accident, abuse, misuse, alteration, misapplication, improper installation or improper maintenance and service by you or any third party. Failure to perform normal and routine maintenance on the pizza oven, shipping damage, damage related to insects, birds or animals of any kind, and damage due to weather conditions are also not covered. In addition, the Limited Warranty does not cover damage to the finish, such as scratches, dents, discoloration, rust or other weather damage, after purchase.

All transportation costs for the return of damaged product or parts will be the responsibility of the purchaser. Upon receipt of damaged item, Gasland will examine the item and determine if defective. Gasland will repair or replace and return the item, freight pre-paid.

If Gasland finds the item to be in normal operating condition, or not defective the item will be returned freight collect. This Limited Warranty is in lieu of all other express warranties. Gasland disclaims all warranties for products that are purchased from sellers other than authorized dealers or distributors.

After the period of the one (1) year express warranty expires, Gasland disclaims any and all implied warranties, including without limitation the implied Warranties of merchantability and fitness for a particular application. Further, Gasland shall have no liability whatsoever to purchaser or any third party for any special, indirect, punitive incidental, or consequential damages. Gasland assumes no responsibility for any defects caused by third parties. This Limited Warranty gives the purchaser specific legal rights; a purchaser may have other rights depending upon where he or she lives. Some states do not allow the exclusion or limitation of special, incidental or consequential damages, or limitations on how long a warranty lasts, so the above exclusion and limitations may not apply to you.

Gasland does not authorize any person or company to assume for it any other obligation or liability in connection with the sale, installation, use, removal, return or replacement of its equipment, and no such representations are binding on Gasland.





GASLAND outdoors

1 (844)538-7890

www.gaslandchef.com





Four à pizza à gaz de table

Instructions d'installation

Modèle disponible


PZ101S



1 (844) 538-7890

 www.gaslandchef.com

 support@gaslandchef.com

 3330-A Marathon Ct Charleston, SC 29418

Contenu

02	Attention
03-04	Pour votre sécurité
05	Vue explosive
06-08	Instructions de montage
09	Connexion / déconnexion de la bouteille de GPL
09	Test de fuite
10	Instruction d'éclairage
11	Instruction d'arrêt
11	Instruction de maintenance
12	Dépannage
12-13	Garantie





⚠ Danger

Si vous sentez le gaz:

- Coupez le gaz de l'équipement.
- Éteignez toutes flammes nues.
- Ouvrez le couvercle.
- Si l'odeur existe toujours, restez loin de l'équipement et appelez vite les sapeurs-pompiers.

Non-respect de ces instructions peut conduire à une incendie ou une explosion qui pourrait causer des dommages aux biens personnels, des blessures ou décès en personne.

⚠ Danger

- Ne jamais utilisez cet équipement sans surveillance.
- Ne jamais utilisez cet équipement dans une distance de 3m avec tout bâtiment, matière combustible ou autre cylindre de gaz.
- Ne jamais utilisez cet équipement dans une distance de 7.5m avec toute liquide inflammable.
- Si une incendie est produite, tenez vous à l'écart de feu immédiatement et appelez vite les sapeurs-pompiers. Ne pas essayer d'éteindre une incendie de graisse ou d'huile avec de l'eau.

Ce manuel d'instruction contient des informations importantes nécessaires pour l'assemblage correct et l'utilisation en sécurité de l'équipement. Lisez tous les avertissements et instructions suivantes avant d'utiliser cet équipement. Suivez tous les avertissements et instructions pendant l'utilisation de l'équipement. Gardez ce manuel pour future référence.



Pour votre sécurité

Utilisez uniquement à l'extérieur!

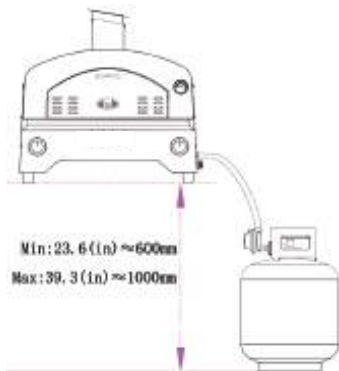
Ne jamais utiliser cette équipement dans un appartement, garage, ou autre lieux enfermés.

Cet équipement ne doit pas être installé dans un bateau ou un véhicule modifié.

Cet équipement n'est pas conçu pour utilisation commerciale.

Cet équipement est conçu pour être utilisé avec gaz liquide de propane (LP). Le changement au gaz naturel ou l'utilisation de gaz naturel dans cet équipement est dangereuse et va provoquer l'invalidation de la garantie.

Nettoyer et inspecter le tuyau souple avant chaque utilisation de l'équipement. En cas de l'usure évidente, éraillé, coupure ou fissure, il faut changer le tuyau avant de mettre en fonctionnement l'équipement. Le changement de tuyau se faire en fonction du mode d'emploi du fabricant.



Gardez une distance de 24 pouces au minimum entre les matières

combustibles et les côtés, l'arrière de l'appareil. Ne pas utiliser cet équipement sous une surface combustible.

Placez et utilisez cet équipement sur une table de hauteur de: Min 23.6 pouces (600mm), Max 39.3pouces(1000mm).

Placez et utilisez un cylindre d'approvisionnement de gaz Max 20 lb LP sur le côté de l'équipement, pour ne pas causer de haute tension au tuyau, ni de déclenchement occasionnel. Attention: Ne pas approcher le tuyau d'approvisionnement de carburant à toutes surfaces chauffées.

⚠ Attention: Il est obligatoire d'utiliser le régulateur de pression de gaz équipé avec cet équipement, en cas de remplacement utilisez uniquement un régulateur indiqué par le fabricant.

Le cylindre d'approvisionnement de gaz LP utilisé doit être conforme aux spécifications et exigences de U.S. Department of Transportation (DOT) ou the Standard for Cylinder, Spheres and Tubes for the Transportation of Dangerous Goods, CAN/CSA- B339.



Utilisez uniquement le cylindre de gas max 20 lb LP.
Le cylindre de gas max 20 lb LP: 18-1/4"(45.6 cm)
hauteur, 12-1/4"(32cm) diamètre



Le cylindre de gas LP doit être mis à position verticale pour la rétraction de vapeur.

- a) Ne pas stocker un cylindre de gas LP de recharge en dessous ou à côté de cet équipement.
- b) Ne jamais remplir le cylindre de plus de 80%.
- c) Si le a) et b) ci-dessus ne sont pas bien respectés, il est possible de provoquer un incendie qui conduit aux décès ou énormes pertes.

Si cet équipement n'est pas en service, le gaz doit être éteint par le régulateur du cylindre de gaz.

Stockage d'un équipement à l'intérieur est permmissible uniquement lorsque le cylindre est déconnecté est enlevé de l'équipement.

Cylindres doivent être stockés à l'extérieur et hors de la porté des enfants, ne doivent pas être stockés dans un bâtiment, garage, ou tout lieux enfermés.

Mettez le bouchon de protection à la poussière sur la vanne quand le cylindre n'est pas en cours d'utilisation. Utilisez uniquement le bouchon de protection équipé avec le cylindre, tout autres type de bouchon peut mener à une fuite de gaz.

Avertissement:

Le fait d'avoir consommé d'alcool ou pris des médicaments prescrits ou non-prescrits peut déranger l'installation correcte et la manipulation de l'équipement en sécurité.

Ne pas laisser l'équipement en utilisation sans surveillance. Empêchez les enfants et les animaux de compagnie d'approcher l'équipement.

Ne pas déplacer le cylindre lors de l'utilisation.

Cet équipement n'est pas destiné à chauffer comme radiateur, et ne doit jamais être utilisé comme un appareil de chauffage.

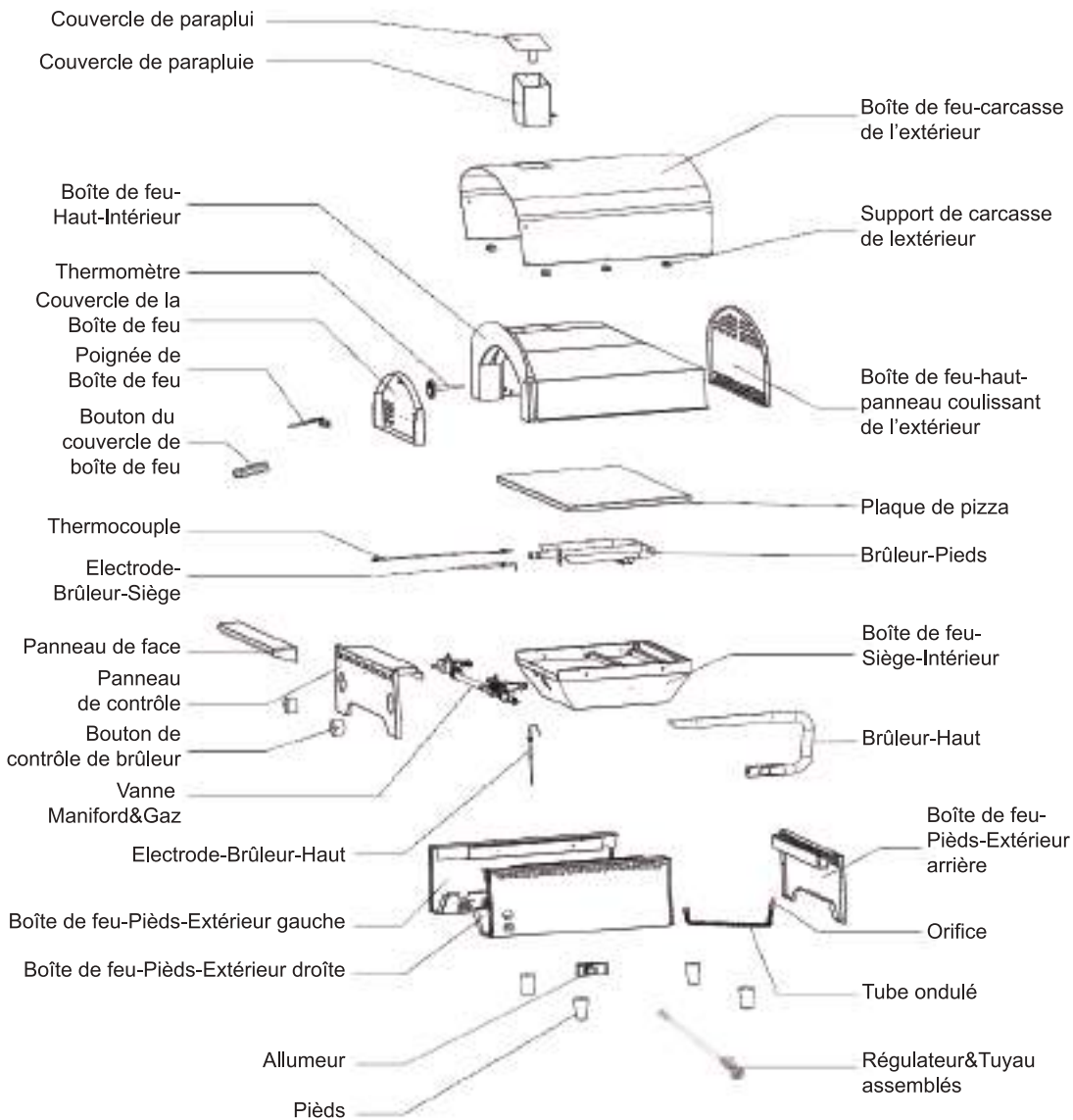
Cet équipement sera chaud pendant et après le fonctionnement. Mettez les gants isolants pour vous protéger des surfaces brulantes ou des éclaboussures des liquides de cuisson.

California Proposition 65

Carburants utilisés dans les équipement allumés par gaz ou huile et produits combustibles de carburant contiennent les matières chimiques connus pas State of California qui risquent de causer des cancers, défauts de naissance, ou autres dommages reproductives. Ce produit contient de matières chimiques, y compris le plomb ou plomb composant, connus pas State of California qui risquent de causer des cancers, défauts de naissance, ou autres dommages reproductives.



Vue Explosive



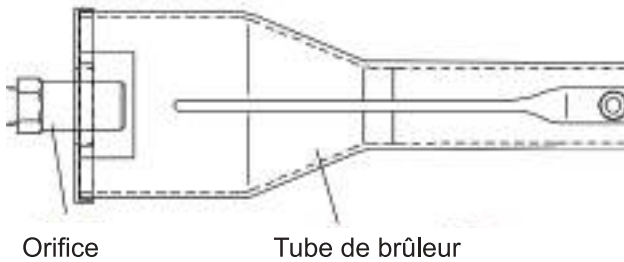
Veuillez contacter le manufacteur ou votre fournisseur pour le changement des pièces.



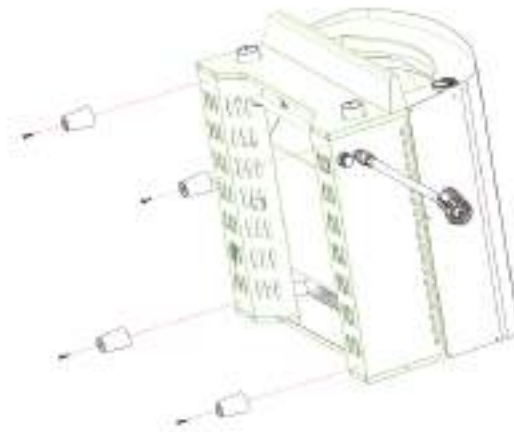
Instruction D'assemblage

L'installation doit conformer aux normes locaux, en cas d'absence des normes locaux, conformer à National Fuel Gaz Code, ANSI Z223.1/NFPA54, Storage and Handling of Liquefied Petroleum Gases, ANSI /NFPA58; ou Natural Gas and Propane Installation Code, CSA B149.1; Propane Storage and Handling, CSA B149.2.

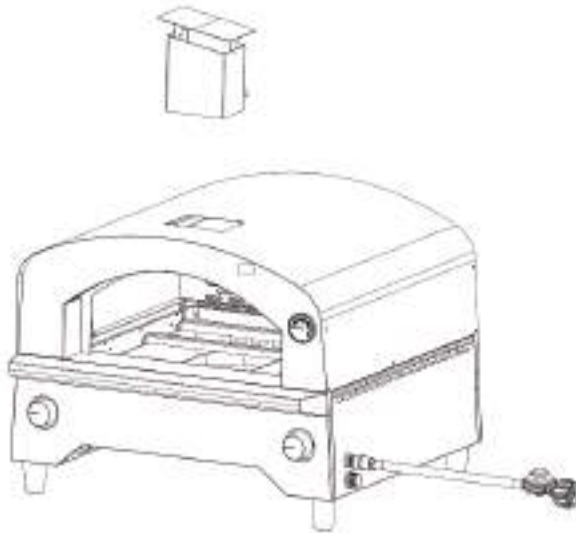
Étape 1: sortir tous les composants du carton et les placer sur une surface lisse et propre. Vérifier si tous les composants sont compris et sans dommage. Important: l'orifice doit être correctement installée dans le brûleur.



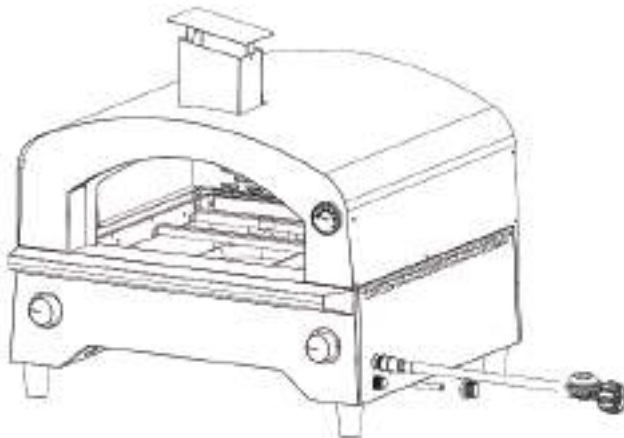
Étape 2: Installer les pieds.



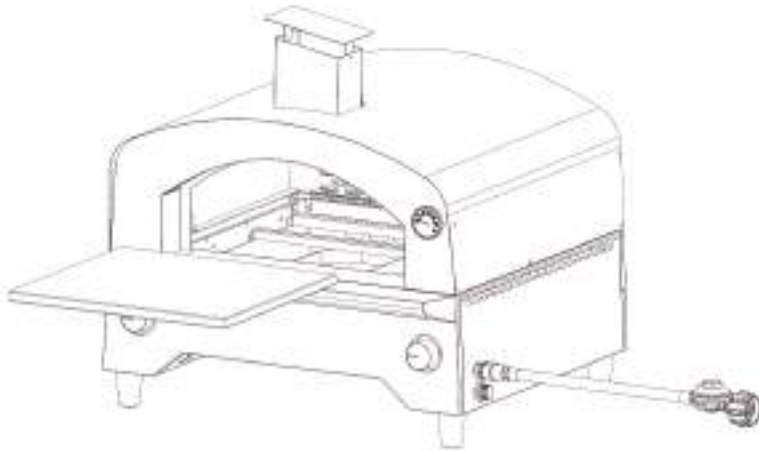
Étape 3: Installer le cheminée d'échappement



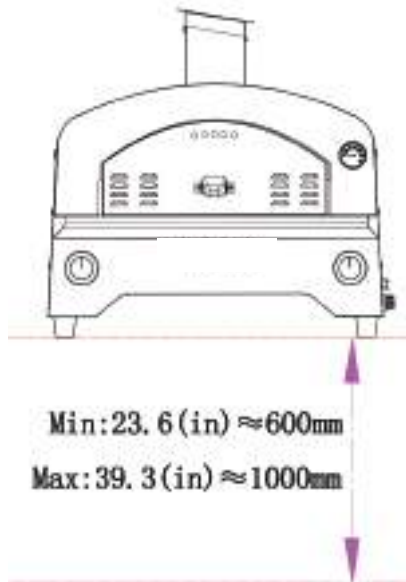
Étape 4: Tourner le capuchon d'allumeur dans le sens contre des aiguilles pour l'enlever. Insérer une batterie AA dans le corps d'allumeur avec le bout Positive(+) contre l'extérieur, remettre le capuchon.



Étape 5: Palcer la plaque de Pizza



Étape 6: Placer l'équipement sur une table de hauteur de: Min 23.6 pouces (600mm), Max 39.3 pouces (1000mm).



Connecter le cylindre de gaz LP:

1. Tourner le bouton du contrôle jusqu'à la position "OFF".
2. Enlever le bouchon de protection de la vanne du cylindre de gaz LP.
3. Assurer que la vanne du cylindre va joindre correctement le régulateur de pression.
4. Tenir le régulateur et insérer le raccord de tuyau dans la vanne du cylindre de gaz LP, assurer que le raccord soit bien centré dans la sortie de la vanne.
5. Serrer à la main l'écrou de couplage dans le sens des aiguilles jusqu'à l'arrêt complet. Bien serrer à la main, ne pas utiliser des outils.
6. Placer le cylindre de gaz LP sur le côté de l'équipement, pour ne pas causer de haute tension au tuyau, ni de déclenchement occasionnel. Ne pas approcher le tuyau aux surfaces chaude



Déconnecter le cylindre de gaz LP:

1. Tourner le bouton du contrôle jusqu'à la position "OFF".
2. Tourner dans le sens des aiguilles pour éteindre complètement la vanne du cylindre de gaz LP.
3. Tourner l'écrou de couplage dans le sens contre des aiguilles d'une montre pour le dévisser jusqu'à ce que le régulateur soit détaché.

Après la finition de l'installation, il faut faire un teste de fuite de gaz avant l'utilisation.

Teste De Fuite De Gaz

- Ne pas fumer pendant le teste de fuite de gaz.
- Ne pas tester la fuite de gaz avec la flamme nue.
- Le teste de fuite de gaz de l'équipement doit se faire à l'extérieur dans un endroit avec de bonne ventilation, loin des sources d'inflammation, comme des produits de gaz ou équipements électriques. Pendant le teste, ne pas approcher l'équipement à la flamme nue ou des étincelles.

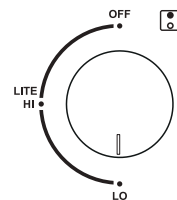
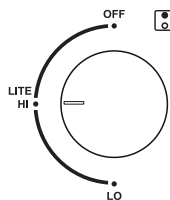
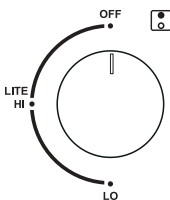


Procédure de teste:

1. Préparer une brosse propre et de l'eau savonneuse à 50/50.
2. Tourner le bouton de contrôle de l'équipement à la position "OFF".
3. Assurer que le régulateur de l'équipement soit connecté étroitement au cylindre de gaz LP.
4. Tourner la vanne du cylindre de gaz dans le sens contre des aiguilles pour l'ouvrir.
5. Brosser avec de l'eau savonneuse à toutes les connexions et accessoires passées par le gaz, si vous voyez des bulles d'air qui s'agrandissent, vous sentez ou entendez le gaz, tourner la vanne du cylindre dans le sens des aiguilles pour la fermer immédiatement, refaire chaque connexions, et répéter le TESTE DE FUITE DE GAZ.
6. Si la fuite de gaz existe toujours, appeler votre fournisseur pour le remplacement ou la réparation.

Instruction D'allumage

1. Lire ce mode d'emploi avant d'allumer les indicateurs.
2. Assurer que le bonton de contrôle est à la position "OFF".
3. Ouvrir le couvercle pendant l'allumage.
4. Tourner la vanne du cylindre de gaz dans le sens contre des aiguilles pour l'ouvrir.
5. Appuyer et tourner le bonton de contrôle dans le sens contre les aiguilles jusqu'à la position LITE.
6. Si l'ignition n'est pas réussit pendant 5 secondes, mettre le bonton de contrôle à OFF, attendre 5 minutes, répéter la procédure d'allumage.
7. Après l'allumage, continuer d'appuyer le bouton de contrôle pendant 10 à 20 secondes.
8. Tourner le bonton entre High position et Low position pour régler le feu en fonction de besoin de cuisson.



Allumage avec allumettes

1. Lire cette instruction avant l'allumage.
2. Assurer que le bonton de contrôle est à la position "OFF".
3. Ouvrir le couvercle pendant l'allumage.
4. Tourner la vanne du cylindre de gaz dans le sens contre des aiguilles pour l'ouvrir.
5. Placer un long allumeur ou allume-gaz ou allumette de 3 pouces long minimum près de l'orifice d'allumage à travers de trou de la grille.
6. Appuyer et tourner le bouton de contrôle dans le sens contre les aiguilles jusqu'à la position LITE.
7. Si l'ignition n'est pas réussit pendant 5 secondes, mettre le bonton de contrôle à OFF, attendre 5 minutes, répéter la procédure d'allumage.
8. Après l'allumage, continuer d'appuyer le bouton de contrôle pendant 10 à 20 secondes.
9. Tourner le bounton entre High position et Low position pour régler le feu en fonction de besoin de cuisson.

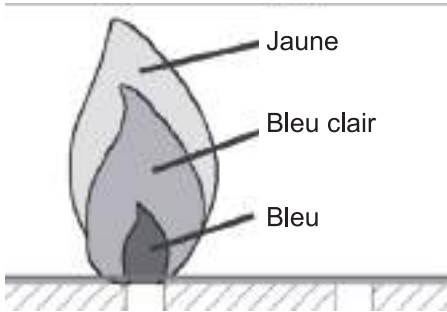
Instruction Pour L'arret

1. Tourner le bonton de contrôle à la position "OFF".
2. Tourner le bonton de contrôle à la main dans le sens contre les aiguilles lorsque l'équipement n'est pas en utilisation.

INSTRUCTION DE MAINTENANCE

- Maintenir l'endroit de l'équipement propre et sans aucun matériel combustible, essence, vapeur ou liquide inflammable.
- Ne pas obstruer la combustion d'air et la ventilation.
- Vérifier et nettoyer le bec de gaz / tubes de venturi s'il y a des insectes et des nids.
- Un tuyau bouché peut conduire à une incendie au dessous de l'équipement.
- Afin de réduire le risque de l'incendie causé par graisse, toujours nettoyer les tâches de gouttes d'huile, enlever toute la graisse à l'intérieur del'équipement avec de l'eau savonneuse tiède.
- Utiliser une brosse de barbecue en laiton pour frotter la grille de cuisson en acier, ne pas utiliser une brosse en fil d'acier.
- Vérifier visuellement le feu, la flamme doit être bleu avec jaune.





Dépannage

Probleme	Cause Possible	Solution
Brûleur n'arrive pas à allumer	Faute de régulateur	Vérifier ou changer le régulateur
	Obstructions dans le brûleur	Nettoyer le brûleur
	Obstructions dans l'orifice de gaz	Nettoyer l'orifice
	Electrode est endommagé/faute d'allumeu	Changer d'électrode et fil
	Faute d'allumeur	Changer batterie ou allumeur
Petite flamme	Cylindre de gaz LP est vide	Utiliser un nouveau cylindre de gaz LP
	Obstructions dans le brûleur	Nettoyer le brûleur
	Obstructions dans l'orifice de gaz	Nettoyer l'orifice



Garantía limitada

Gasland garantiza este horno para pizza únicamente al comprador minorista original, que está libre de defectos de material y mano de obra por un período de un (1) año a partir de la fecha de compra inicial. Este producto debe instalarse, mantenerse y utilizarse correctamente de acuerdo con las instrucciones proporcionadas.

Gasland requiere una prueba razonable de su fecha de compra de un minorista o distribuidor autorizado. Por lo tanto, debe conservar su comprobante de venta, factura o cheque cancelado de la compra original.

Esta Garantía limitada se limitará a la reparación o reemplazo de piezas que resulten defectuosas con el uso y servicio normales dentro del período de garantía, y que Gasland determinará a su discreción razonable.

Esta garantía no se aplica a los productos comprados para alquiler.

Esta Garantía limitada no cubre fallas o dificultades operativas debido al desgaste normal, accidente, abuso, uso indebido, alteración, aplicación incorrecta, instalación incorrecta o mantenimiento y servicio incorrectos por parte de usted o de un tercero.

Tampoco están cubiertos el incumplimiento de realizar el mantenimiento normal y de rutina del horno de pizza, los daños de envío, los daños relacionados con insectos, pájaros o animales de cualquier tipo y los daños debidos a las condiciones climáticas. Además, la Garantía limitada no cubre daños al acabado, como rayones, abolladuras, decoloración, óxido u otros daños causados por el clima, después de la compra.

Todos los costos de transporte para la devolución de productos o piezas dañados serán responsabilidad del comprador. Al recibir el artículo dañado, Gasland lo examinará y determinará si está defectuoso. Gasland reparará o reemplazará y devolverá el artículo con el flete pagado por adelantado.



Si Gasland encuentra que el artículo se encuentra en condiciones normales de funcionamiento o no presenta defectos, se le devolverá el artículo a portes debidos. Esta Garantía limitada reemplaza todas las demás garantías expresas. Gasland rechaza todas las garantías de los productos que se compran a vendedores que no sean distribuidores o distribuidores autorizados.

Después de que expire el período de la garantía expresa de un (1) año, Gasland renuncia a todas y cada una de las garantías implícitas, incluidas, entre otras, las garantías implícitas de comerciabilidad e idoneidad para una aplicación en particular. Además, Gasland no tendrá responsabilidad alguna ante el comprador o cualquier tercero por daños especiales, indirectos, punitivos incidentales o consecuentes. Gasland no asume ninguna responsabilidad por los defectos causados por terceros. Esta garantía limitada le otorga al comprador derechos legales específicos; un comprador puede tener otros derechos dependiendo de dónde viva. Algunos estados no permiten la exclusión o limitación de daños especiales, incidentales o consecuentes, o las limitaciones sobre la duración de una garantía, por lo que es posible que la exclusión y las limitaciones anteriores no se apliquen en su caso.

Gasland no autoriza a ninguna persona o empresa a asumir en su nombre ninguna otra obligación o responsabilidad en relación con la venta, instalación, uso, retiro, devolución o reemplazo de su equipo, y tales declaraciones no son vinculantes para Gasland.





GASLAND outdoors

1 (844)538-7890

www.gaslandchef.com

